

Positioning Clamping Pins

EH 23111.



Product Description

The positioning clamping pin allows fast clamping, fastening, adjusting, changing and securing of workpieces, plates, fixture systems etc.

Material

- Heat-treated steel, tempered, blackened
- Stainless steel 1.4542, precipitation-hardened

Operation

By tightening the clamping bolt, the positioning clamping pin is centred and clamped in the locating bushing by means of four balls. The clamping bolt can be operated manually via a removable handle (Art. No. 23111.0900/.0902) or using a hexagon key.

More information

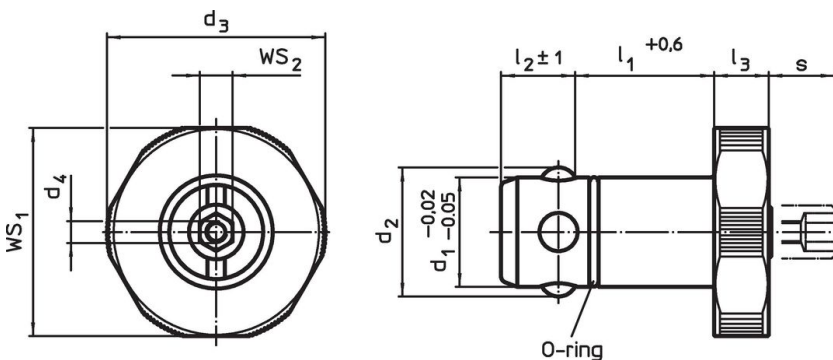
Accessories

Suitable bushings are available.

Further products


- Manual Handles, for positioning clamping pins
- Bushings, for positioning clamping pins
- Locating Bushings, for positioning clamping pins, for press fit
- Locating Bushings, for positioning clamping pins, for screw fit

Drawing

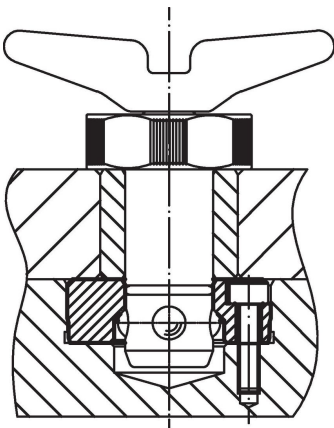
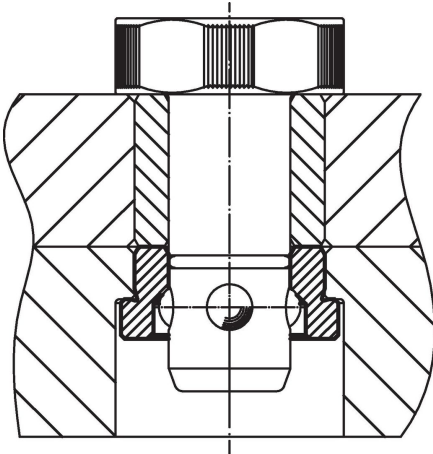
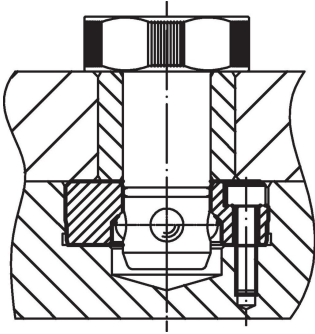


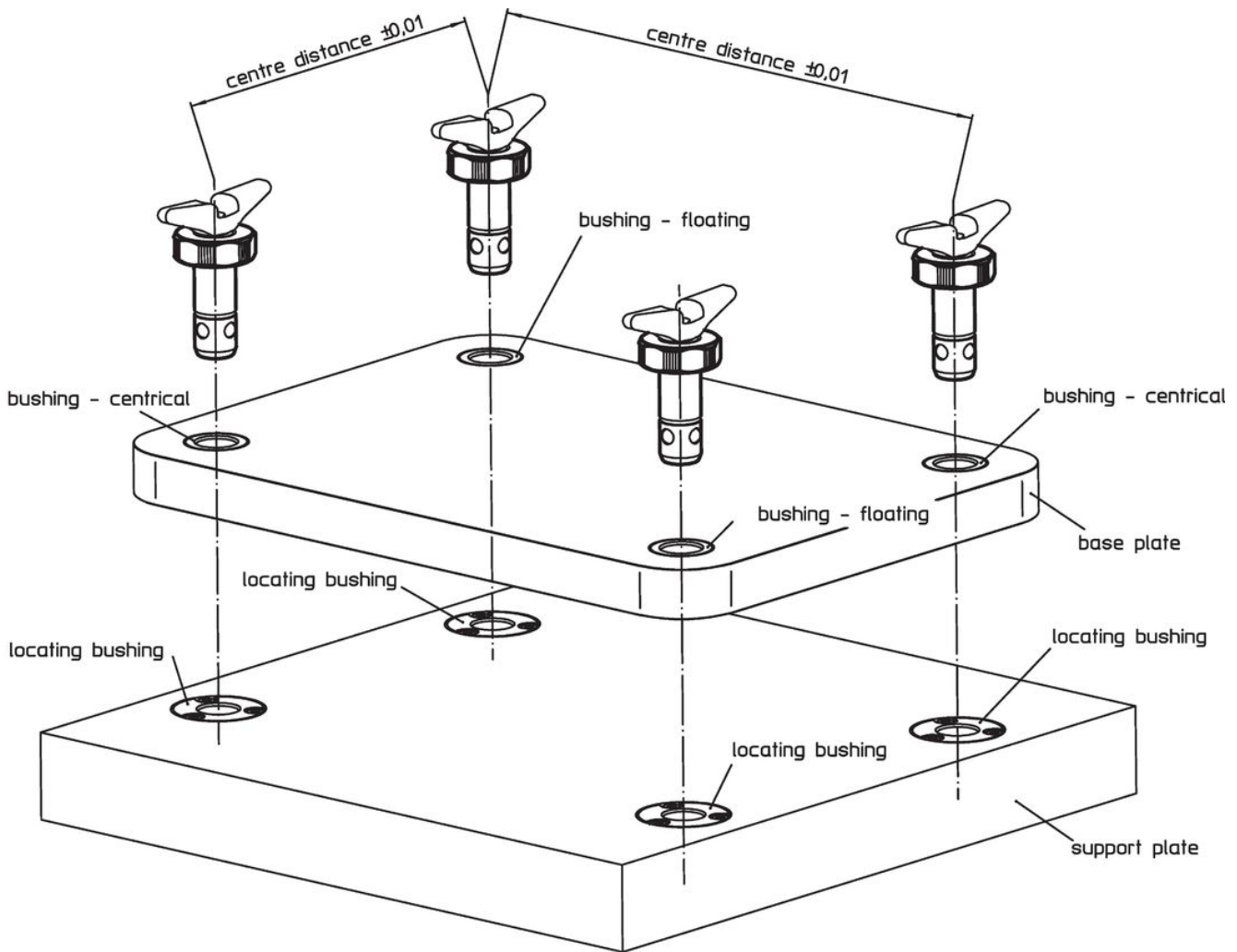
Order information

d ₁	l ₁	d ₂	Dimensions					s	For base plates ±0.05	WS ₁	WS ₂	Holding force	🔩	Art. No.
			d ₃	d ₄	l ₂	l ₃	[mm]							
-0.02 -0.05	+0.6				±1		max.							
Heat-treated steel														
16	25	18.7	32	M4	13.6	10	9.5	20	30	6	5	116	23111.0016	
16	30	18.7	32	M4	13.6	10	9.5	25	30	6	5	125	23111.0018	
20	25	23.6	40	M4	13.6	10	10.0	20	38	6	6	178	23111.0020	
20	30	23.6	40	M4	13.6	10	10.0	25	38	6	6	191	23111.0022	
25	25	29.0	45	M4	18.6	10	11.0	20	43	10	8	270	23111.0025	
25	30	29.0	45	M4	18.6	10	11.0	25	43	10	8	287	23111.0027	
30	25	34.6	55	M4	18.6	10	11.0	20	53	10	10	390	23111.0030	
30	30	34.6	55	M4	18.6	10	11.0	25	53	10	10	416	23111.0032	
Stainless steel														
16	25	18.7	32	M4	13.6	10	9.5	20	30	6	5	116	23111.0116	
16	30	18.7	32	M4	13.6	10	9.5	25	30	6	5	125	23111.0118	
20	25	23.6	40	M4	13.6	10	10.0	20	38	6	6	178	23111.0120	
20	30	23.6	40	M4	13.6	10	10.0	25	38	6	6	191	23111.0122	

d ₁ -0.02 -0.05	l ₁ +0.6	Dimensions						For base plates ±0.05	WS ₁	WS ₂	Holding force		Art. No.
		d ₂	d ₃	d ₄	l ₂ ±1	l ₃	s max.						
25	25	29.0	45	M4	18.6	10	11.0	20	43	10	8	270	23111.0125
25	30	29.0	45	M4	18.6	10	11.0	25	43	10	8	287	23111.0127
30	25	34.6	55	M4	18.6	10	11.0	20	53	10	10	390	23111.0130
30	30	34.6	55	M4	18.6	10	11.0	25	53	10	10	416	23111.0132

Application example





Compliance

For detailed compliance information please select the desired article number.