

## Fixed Slot Tenons

EH 23110.



### Product Description

To be used for locating fixtures and clamping elements onto machine tables with T-slots to DIN 650.

### Material

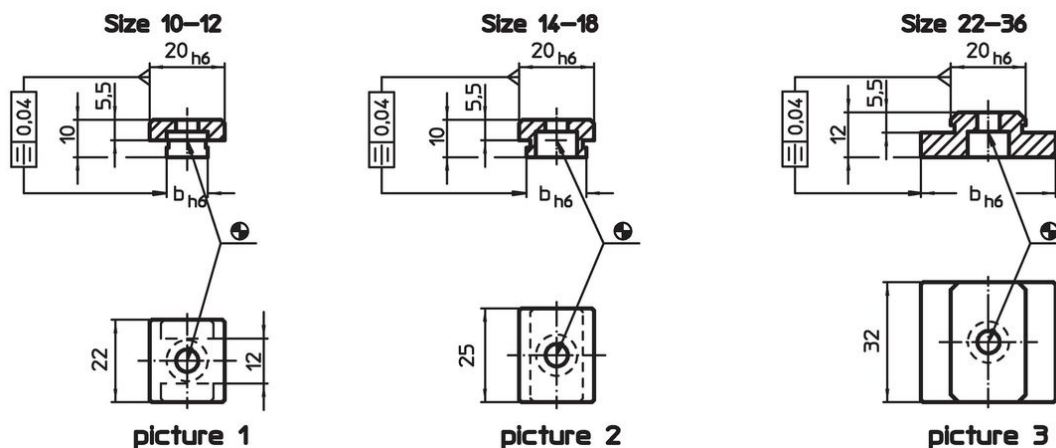
- Steel, case-hardened, blackened, ground

### More information


### References

For size 20 refer to 23130.0020.

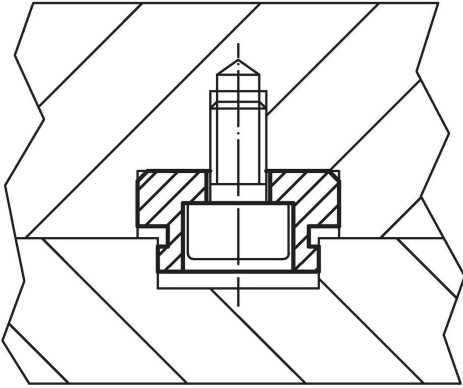
### Drawing



### Order information

T-slot size machine b h6 [mm]	For screws ISO 4762 [mm]	 [g]	Art. No.
<b>size 10-12 – picture 1</b>			
10	M6	19	23110.0010
12	M6	20	23110.0012
<b>size 14-18 – picture 2</b>			
14	M6	28	23110.0014
16	M6	30	23110.0016
18	M6	32	23110.0018
<b>size 22-36 – picture 3</b>			
22	M6	58	23110.0022
24	M6	63	23110.0024
28	M6	68	23110.0028
36	M6	81	23110.0036

## Application example



## Compliance

### RoHS compliant

Compliant according to Directive 2011/65/EU and Directive 2015/863.

### Does not contain SVHC substances

No SVHC substances with more than 0.1% w/w contained - SVHC list [REACH] as of 27.06.2024.

### Does not contain Proposition 65 substances

No Proposition 65 substances included.

<https://www.P65Warnings.ca.gov/>

### Free from Conflict Minerals

This product does not contain any substances designated as "conflict minerals" such as tantalum, tin, gold or tungsten from the Democratic Republic of Congo or adjacent countries.