

Drive Blocks • DIN 2079

EH 23100.



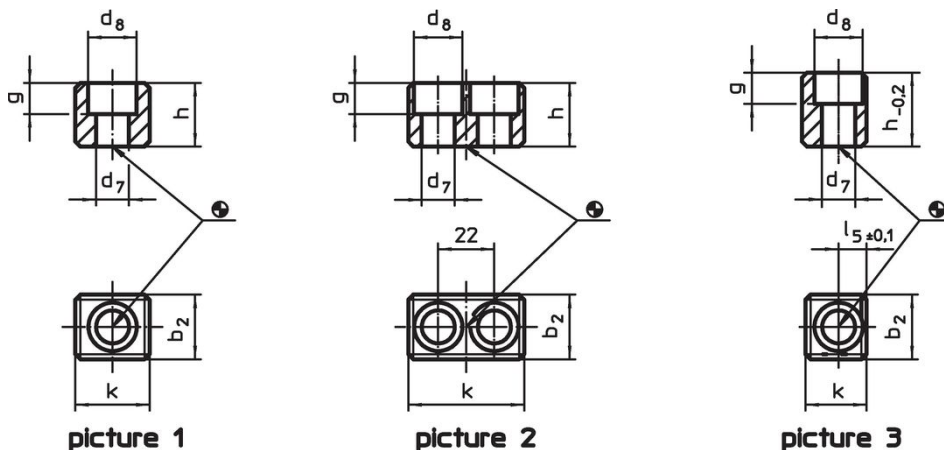
Product Description

These drive blocks are manufactured according to DIN 2079.


Material

- Alloyed case-hardened steel, case-hardened, blackened, ground

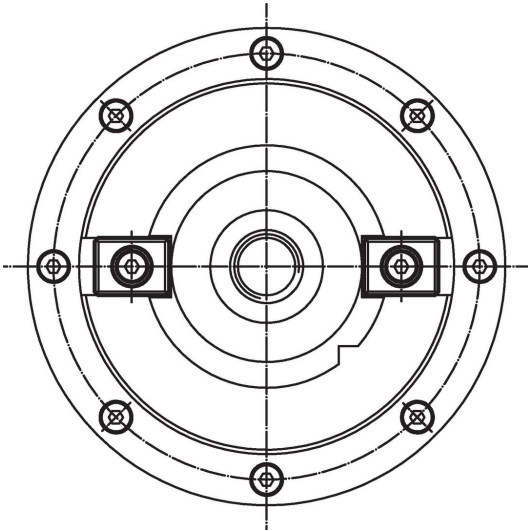
Drawing



Order information

Spindle head No.	Dimensions							For screws ISO 4762	 [g]	Art. No.
	k	b ₂ h5	d ₇	d ₈	g	h	l ₅ ±0.1			
for spindle heads no. 30 to 60, form A – picture 1										
30	16.5	15.9	6.4	10.4	6.2	16.0	–	M 6 x 16	26	23100.0030
40	19.5	15.9	6.4	10.4	6.2	16.0	–	M 6 x 16	32	23100.0040
45	19.5	19.0	8.4	13.5	8.3	19.0	–	M 8 x 20	40	23100.0045
50 – 55	26.5	25.4	13.0	19.0	12.3	25.0	–	M12 x 25	88	23100.0050
60	45.5	25.4	13.0	19.0	12.3	25.0	–	M12 x 25	181	23100.0060
for spindle heads no. 60 form B – picture 2										
60	45.5	25.4	13.0	19.0	12.3	25.0	–	M12 x 25	140	23100.0160
for spindle heads no. 30 to 50, form C – picture 3										
30	13.5	15.9	6.4	10.4	6.2	24.5	5.5	M 6 x 25	32	23100.0230
40	16.5	15.9	6.4	10.4	6.2	24.5	7.0	M 6 x 25	40	23100.0240
45	17.5	19.0	8.4	13.5	10.0	26.0	7.5	M 8 x 25	48	23100.0245
50	24.0	25.4	13.0	19.0	12.3	29.0	11.0	M12 x 30	90	23100.0250

Application example



Compliance

RoHS compliant

Compliant according to Directive 2011/65/EU and Directive 2015/863.

Does not contain SVHC substances

No SVHC substances with more than 0.1% w/w contained - SVHC list [REACH] as of 27.06.2024.

Does not contain Proposition 65 substances

No Proposition 65 substances included.
<https://www.P65Warnings.ca.gov/>

Free from Conflict Minerals

This product does not contain any substances designated as "conflict minerals" such as tantalum, tin, gold or tungsten from the Democratic Republic of Congo or adjacent countries.