

## Shaft / Plain Washers • DIN 6340 heat-treated

EH 23060.



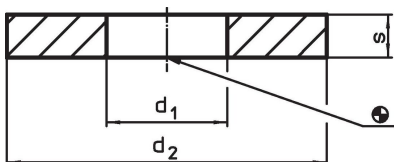
### Product Description

The heat-treated shaft / plain washers (washers) are manufactured according to DIN 6340.

### Material

- Heat-treated steel, tempered, punched, mechanically trued, phosphatized

### Drawing

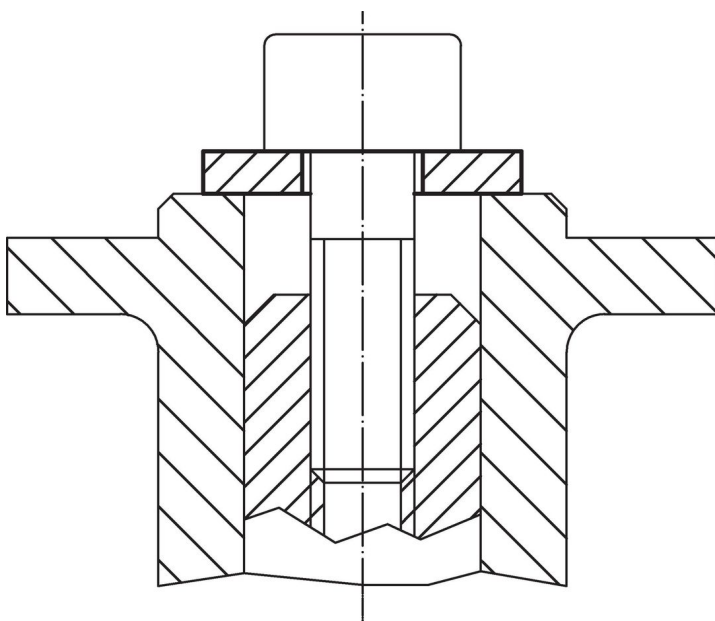


### Order information

d <sub>1</sub>	Dimensions		s	For screws [mm]	[g]	Art. No.
	d <sub>2</sub>	[mm]				
6.4	17		3	M 6	3.8	23060.0006
8.4	23		4	M 8	9.8	23060.0008
10.5	28		4	M10	15.0	23060.0010
13.0	35		5	M12	28.0	23060.0012
15.0	40		5	M14	40.0	23060.0014 <sup>1)</sup>
17.0	45		6	M16	55.0	23060.0016
19.0	45		6	M18	53.0	23060.0018 <sup>1)</sup>
21.0	50		6	M20	65.0	23060.0020
23.0	50		8	M22	86.0	23060.0022 <sup>1)</sup>
25.0	60		8	M24	122.0	23060.0024
31.0	68		10	M30	199.0	23060.0030
38.0	80		12	M36	360.0	23060.0036 <sup>1)</sup>

<sup>1)</sup> DIN standards do not include these dimensions.

### Application example



## Compliance

### RoHS compliant

Compliant according to Directive 2011/65/EU and Directive 2015/863.

### Does not contain SVHC substances

No SVHC substances with more than 0.1% w/w contained - SVHC list [REACH] as of 23.01.2024.

### Does not contain Proposition 65 substances

No Proposition 65 substances included.

<https://www.P65Warnings.ca.gov/>

### Free from Conflict Minerals

This product does not contain any substances designated as "conflict minerals" such as tantalum, tin, gold or tungsten from the Democratic Republic of Congo or adjacent countries.