

Nuts for T-Slots · rhombus

EH 23020.



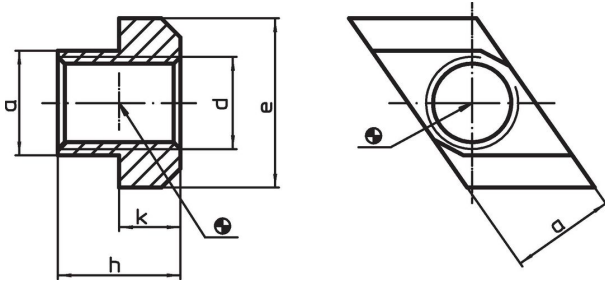
Product Description

Nuts for T-slots "rhombus" do not have to be inserted lengthwise, but can be inserted directly into the slot.

Material

- Heat-treated steel, tempered, blackened

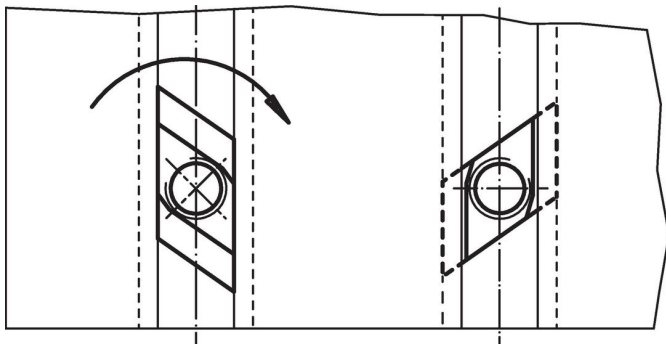
Drawing



Order information

T-slot size [mm]	Dimensions					[g]	Art. No.
	d	a	e	h	k		
6	M 5	5.7	10	8	4	2.1	23020.0560
8	M 6	7.6	13	10	6	5.4	23020.0580
10	M 8	9.6	15	12	6	8.8	23020.0600
12	M10	11.6	18	14	7	14.0	23020.0620
14	M12	13.6	22	16	8	23.0	23020.0640
16	M14	15.6	25	18	9	0.7	23020.0660
18	M16	17.6	28	20	10	46.0	23020.0680
20	M18	19.6	32	24	12	69.0	23020.0700
22	M20	21.6	35	28	14	98.0	23020.0720
28	M24	27.6	44	36	18	213.0	23020.0780
36	M30	35.5	54	44	22	423.0	23020.0860
42	M36	41.5	65	52	26	676.0	23020.0920

Application example



Compliance

RoHS compliant

Compliant according to Directive 2011/65/EU and Directive 2015/863.

Does not contain SVHC substances

No SVHC substances with more than 0.1% w/w contained - SVHC list [REACH] as of 23.01.2024.

Does not contain Proposition 65 substances

No Proposition 65 substances included.

<https://www.P65Warnings.ca.gov/>

Free from Conflict Minerals

This product does not contain any substances designated as "conflict minerals" such as tantalum, tin, gold or tungsten from the Democratic Republic of Congo or adjacent countries.