

Rod Ends • DIN 12240-4, with male thread EH 22982.



Product Description

Rod ends are suitable for universal use in applications subject to dynamic loads. As well as use in corrosion-risk areas, the design in stainless steel can also be used under higher dynamic loads. Rod ends are used for bearings where movements between shaft and housing are necessary, and where the movements are not in a straight line.

Rod ends are ready-to-install elements manufactured to DIN ISO 12240-4 (dimension series K). The PTFE fabric inserted into the bearing shell means that the rod ends are maintenance-free. **Please take note of the technical information which follows these product pages.**

Material

Body

- Free cutting steel, turned, zinc-plated
- Stainless steel 1.4057, forged, polished

Joint ball

- Roller bearing steel, hardened, ground, polished
- Stainless steel 1.4034, hardened, ground, polished

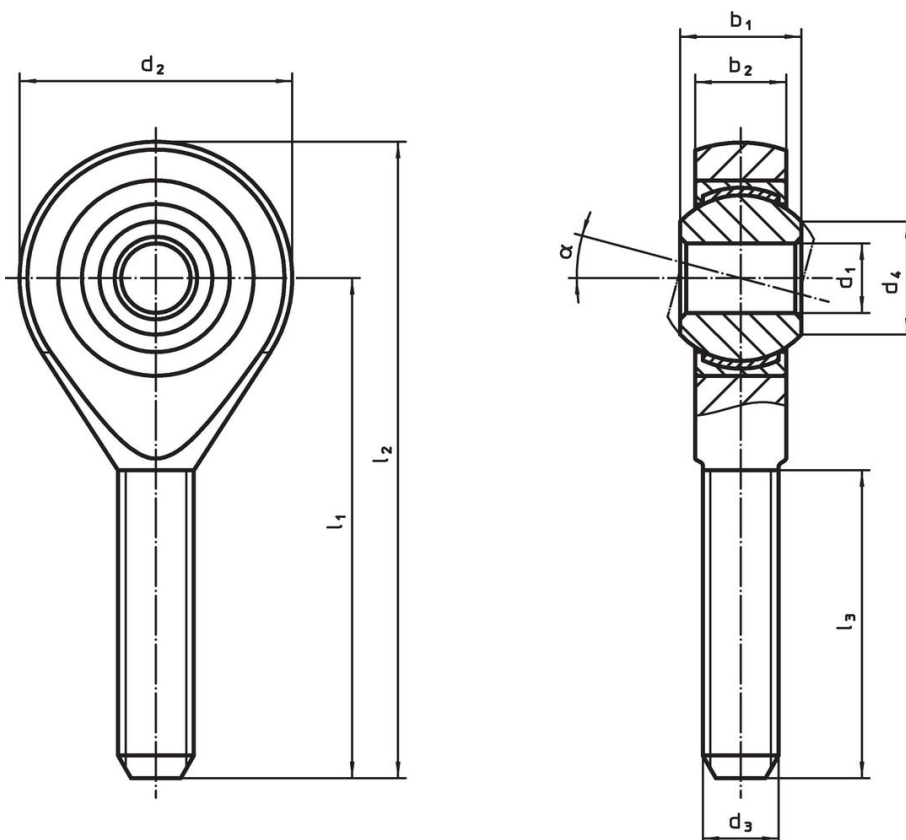
Bearing

- PTFE fabric

Bearing shell

- Free cutting steel, zinc-plated by galvanization
- Stainless steel 1.4571

Drawing



Order information

Dimensions									α	Dynamic carrying figure C	Static carrying figure C ₀	Temperature		Weight [g]	Art. No.
d ₁	l ₁	b ₁	b ₂	d ₂	d ₃	d ₄	l ₂	l ₃				min.	max.		
[mm]										[kN]	[kN]				
right hand thread, Free cutting steel															
5	33	8	6.00	18	M 5	7.7	42	19	13°	7.5	4.3	-50	150	14	22982.0102
6	36	9	6.75	20	M 6	8.9	46	21	13°	9.3	6.0	-50	150	20	22982.0104
8	42	12	9.00	24	M 8	10.4	54	25	14°	16.7	11.0	-50	150	38	22982.0106
10	48	14	10.50	28	M10	12.9	62	28	13°	23.4	17.4	-50	150	62	22982.0108
12	54	16	12.00	32	M12	15.4	70	32	13°	32.0	23.5	-50	150	94	22982.0110
14	60	19	13.50	36	M14	16.8	78	38	16°	42.0	21.0	-50	150	135	22982.0112
16	66	21	15.00	42	M16	19.3	87	40	15°	52.5	32.0	-50	150	202	22982.0114
18	72	23	16.50	46	M18 x 1,5	21.8	95	44	15°	64.0	38.5	-50	150	270	22982.0116
20	78	25	18.00	50	M20 x 1,5	24.3	103	47	14°	78.0	44.0	-50	150	350	22982.0118
22	84	28	20.00	54	M22 x 1,5	25.8	111	51	15°	97.0	53.0	-50	150	459	22982.0120
25	94	31	22.00	60	M24 x 2	29.6	124	57	15°	122.0	61.0	-50	150	607	22982.0122
right hand thread, Stainless steel															
5	33	8	6.00	18	M 5	7.7	42	19	13°	7.5	6.2	-50	150	14	22982.0302
6	36	9	6.75	20	M 6	8.9	46	21	13°	9.3	8.8	-50	150	20	22982.0304
8	42	12	9.00	24	M 8	10.4	54	25	14°	16.7	16.1	-50	150	38	22982.0306
10	48	14	10.50	28	M10	12.9	62	28	13°	23.4	25.5	-50	150	62	22982.0308
12	54	16	12.00	32	M12	15.4	70	32	13°	32.0	34.5	-50	150	94	22982.0310
14	60	19	13.50	36	M14	16.8	78	38	16°	42.0	39.5	-50	150	135	22982.0312
16	66	21	15.00	42	M16	19.3	87	40	15°	52.5	60.5	-50	150	202	22982.0314
18	72	23	16.50	46	M18 x 1,5	21.8	95	44	15°	64.0	73.0	-50	150	270	22982.0316
20	78	25	18.00	50	M20 x 1,5	24.3	103	47	14°	78.0	83.0	-50	150	350	22982.0318
22	84	28	20.00	54	M22 x 1,5	25.8	111	51	15°	97.0	100.0	-50	150	459	22982.0320
25	94	31	22.00	60	M24 x 2	29.6	124	57	15°	122.0	118.0	-50	150	607	22982.0322
left hand thread, Free cutting steel															
5	33	8	6.00	18	M 5	7.7	42	19	13°	7.5	4.3	-50	150	14	22982.0124
6	36	9	6.75	20	M 6	8.9	46	21	13°	9.3	6.0	-50	150	20	22982.0126
8	42	12	9.00	24	M 8	10.4	54	25	14°	16.7	11.0	-50	150	39	22982.0128
10	48	14	10.50	28	M10	12.9	62	28	13°	23.4	17.4	-50	150	61	22982.0130
12	54	16	12.00	32	M12	15.4	70	32	13°	32.0	23.5	-50	150	93	22982.0132
14	60	19	13.50	36	M14	16.8	78	38	16°	42.0	21.0	-50	150	133	22982.0134
16	66	21	15.00	42	M16	19.3	87	40	15°	52.5	32.0	-50	150	202	22982.0136
18	72	23	16.50	46	M18 x 1,5	21.8	95	44	15°	64.0	38.5	-50	150	269	22982.0138
20	78	25	18.00	50	M20 x 1,5	24.3	103	47	14°	78.0	44.0	-50	150	347	22982.0140
22	84	28	20.00	54	M22 x 1,5	25.8	111	51	15°	97.0	53.0	-50	150	455	22982.0142
25	94	31	22.00	60	M24 x 2	29.6	124	57	15°	122.0	61.0	-50	150	604	22982.0144
left hand thread, Stainless steel															
5	33	8	6.00	18	M 5	7.7	42	19	13°	7.5	6.2	-50	150	14	22982.0324
6	36	9	6.75	20	M 6	8.9	46	21	13°	9.3	8.8	-50	150	20	22982.0326
8	42	12	9.00	24	M 8	10.4	54	25	14°	16.7	16.1	-50	150	39	22982.0328
10	48	14	10.50	28	M10	12.9	62	28	13°	23.4	25.5	-50	150	61	22982.0330
12	54	16	12.00	32	M12	15.4	70	32	13°	32.0	34.5	-50	150	93	22982.0332
14	60	19	13.50	36	M14	16.8	78	38	16°	42.0	39.5	-50	150	133	22982.0334
16	66	21	15.00	42	M16	19.3	87	40	15°	52.5	60.5	-50	150	202	22982.0336
18	72	23	16.50	46	M18 x 1,5	21.8	95	44	15°	64.0	73.0	-50	150	269	22982.0338
20	78	25	18.00	50	M20 x 1,5	24.3	103	47	14°	78.0	83.0	-50	150	347	22982.0340
22	84	28	20.00	54	M22 x 1,5	25.8	111	51	15°	97.0	100.0	-50	150	455	22982.0342
25	94	31	22.00	60	M24 x 2	29.6	124	57	15°	122.0	118.0	-50	150	604	22982.0344

Compliance

For detailed compliance information please select the desired article number.