

Thrust Screws • with brass pad

EH 22760.



Product Description

Thrust screws can be used for a gentle clamping or pressing of thread spindles, axes, shafts and surface treated parts.

Material

Pad

- Brass

Screw

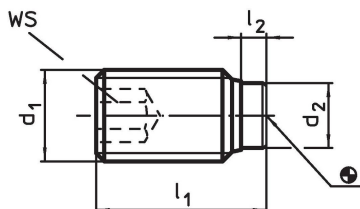
- Heat-treated steel, 1200 ±100 N/mm²
- Stainless steel 1.4305

More information

Further products

- Thrust Screws, with plastic pad

Drawing

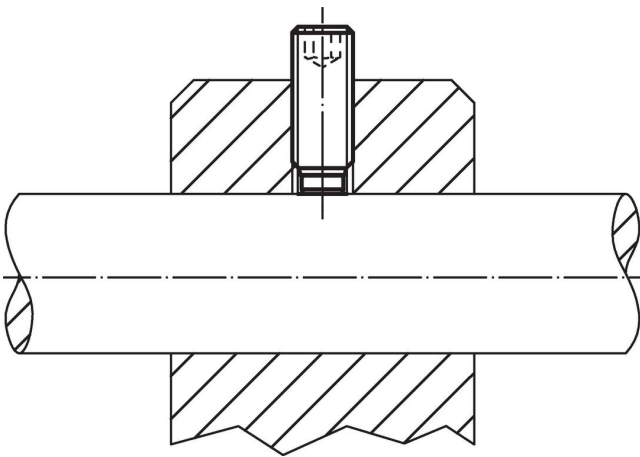


Order information

Dimensions				WS	🌡️	🏋️	Art. No.
d ₁	l ₁	l ₂	d ₂	[mm]	max. [°C]	[g]	
Heat-treated steel							
M 3	5.0	1.0	1.5	1.5	250	0.1	22760.0032
M 3	7.5	1.0	1.5	1.5	250	0.2	22760.0034
M 3	10.0	1.0	1.5	1.5	250	0.3	22760.0036
M 4	5.0	1.0	2.5	2.0	250	0.3	22760.0040
M 4	6.5	1.2	2.5	2.0	250	0.3	22760.0042
M 4	10.5	1.2	2.5	2.0	250	0.6	22760.0044
M 4	16.5	1.2	2.5	2.0	250	1.0	22760.0046
M 5	6.0	1.0	3.0	2.5	250	0.5	22760.0050
M 5	8.5	1.3	3.0	2.5	250	0.7	22760.0052
M 5	12.5	1.3	3.0	2.5	250	1.2	22760.0054
M 5	20.5	1.3	3.0	2.5	250	2.1	22760.0056
M 6	6.0	1.0	4.0	3.0	250	0.7	22760.0060
M 6	11.5	1.9	4.0	3.0	250	1.5	22760.0062
M 6	17.5	1.9	4.0	3.0	250	2.5	22760.0064
M 6	26.5	1.9	4.0	3.0	250	4.0	22760.0066
M 8	8.0	1.4	5.5	4.0	250	1.7	22760.0080
M 8	12.0	2.5	5.5	4.0	250	2.9	22760.0082
M 8	22.0	2.5	5.5	4.0	250	5.7	22760.0086
M 8	32.0	2.5	5.5	4.0	250	8.7	22760.0088
M10	10.0	1.5	7.0	5.0	250	3.4	22760.0100
M10	14.0	2.7	7.0	5.0	250	5.4	22760.0102
M10	18.0	2.7	7.0	5.0	250	6.7	22760.0104
M10	27.0	2.7	7.0	5.0	250	11.0	22760.0106
M10	37.0	2.7	7.0	5.0	250	16.0	22760.0108
M12	12.0	1.5	8.5	6.0	250	6.4	22760.0120

d ₁	Dimensions			WS [mm]	max. [°C]	[g]	Art. No.
	l ₁ [mm]	l ₂	d ₂				
M12	18.5	3.4	8.5	6.0	250	10.0	22760.0122
M12	22.5	3.4	8.5	6.0	250	12.0	22760.0124
M12	32.5	3.4	8.5	6.0	250	19.0	22760.0126
M12	42.5	3.4	8.5	6.0	250	26.0	22760.0128
Stainless steel							
M 3	5.0	1.0	1.5	1.5	250	0.1	22760.0432
M 3	7.5	1.0	1.5	1.5	250	0.2	22760.0434
M 3	10.0	1.0	1.5	1.5	250	0.3	22760.0436
M 4	6.5	1.2	2.5	2.0	250	0.3	22760.0442
M 4	10.5	1.2	2.5	2.0	250	0.6	22760.0444
M 4	16.5	1.2	2.5	2.0	250	1.0	22760.0446
M 5	8.5	1.3	3.0	2.5	250	0.7	22760.0452
M 5	12.5	1.3	3.0	2.5	250	1.2	22760.0454
M 5	20.5	1.3	3.0	2.5	250	2.1	22760.0456
M 6	11.5	1.9	4.0	3.0	250	1.5	22760.0462
M 6	17.5	1.9	4.0	3.0	250	2.5	22760.0464
M 6	26.5	1.9	4.0	3.0	250	4.0	22760.0466
M 8	12.0	2.5	5.5	4.0	250	2.9	22760.0482
M 8	22.0	2.5	5.5	4.0	250	5.7	22760.0486
M 8	32.0	2.5	5.5	4.0	250	8.7	22760.0488
M10	14.0	2.7	7.0	5.0	250	5.4	22760.0502
M10	18.0	2.7	7.0	5.0	250	6.7	22760.0504
M10	27.0	2.7	7.0	5.0	250	11.0	22760.0506
M10	37.0	2.7	7.0	5.0	250	16.0	22760.0508
M12	18.5	3.4	8.5	6.0	250	10.0	22760.0522
M12	22.5	3.4	8.5	6.0	250	12.0	22760.0524
M12	32.5	3.4	8.5	6.0	250	19.0	22760.0526
M12	42.5	3.4	8.5	6.0	250	26.0	22760.0528

Application example



Compliance

RoHS compliant

Contains lead - compliant according to exceptions 6a / 6b / 6c.

Contains SVHC substances >0,1% w/w

Contains lead - SVHC list [REACH] as of 27.06.2024.

Contains Proposition 65 substances



Lead can cause cancer and reproductive harm from exposure
<https://www.P65Warnings.ca.gov/>

Free from Conflict Minerals

This product does not contain any substances designated as "conflict minerals" such as tantalum, tin, gold or tungsten from the Democratic Republic of Congo or adjacent countries.