

Ball Casters • screwable, plain bearing

EH 22752.



Product Description

For positioning and aligning of workpieces. Because of the slide bearing, the ball can roll permanently, and the surface of the workpiece is protected.

At temperatures > 20°C, the carrying figure decreases linearly. (Example: at 90°C the load bearing capacity is max. 60%)

Material

Bearing
• plastic

Ball
• Ball-bearing steel, hardened
• Stainless steel, hardened

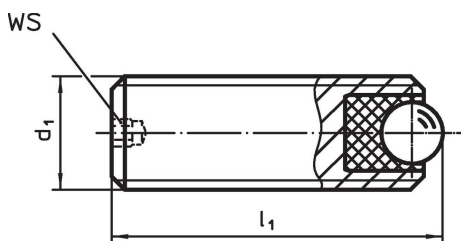
Screw
• Free cutting steel, blackened
• Stainless steel 1.4305

More information

Notes

Customized design on request.

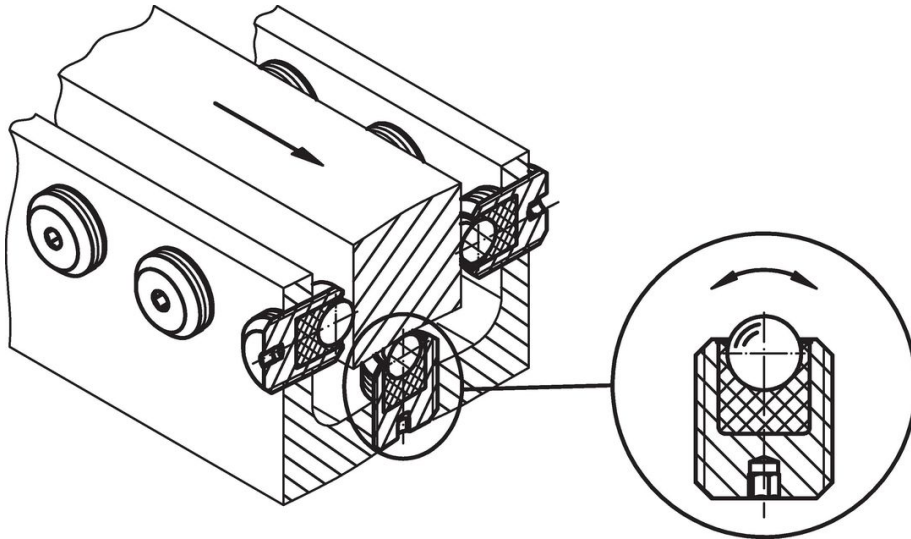
Drawing



Order information

d ₁	Dimensions		WS [mm]	Static carrying figure C ₀ [N]	Tightening torque max. [Nm]	min. max. [°C]		[g]	Art. No.
	l ₁	Ball diameter							
		[mm]							
Free cutting steel									
M 6	8	2.5	1.5	172	0.11	-50	90	1.0	22752.0061
M 6	16	2.5	1.5	172	0.11	-50	90	2.4	22752.0064
M 8	10	3.5	1.5	336	0.28	-50	90	2.4	22752.0081
M 8	20	3.5	1.5	336	0.28	-50	90	5.5	22752.0084
M10	12	4.5	2.0	556	0.58	-50	90	4.2	22752.0101
M10	25	4.5	2.0	556	0.58	-50	90	11.0	22752.0104
M12	16	6.5	2.5	1161	1.44	-50	90	7.7	22752.0121
M12	35	6.5	2.5	1161	1.44	-50	90	21.0	22752.0124
M16	20	8.5	3.0	1986	3.21	-50	90	20.0	22752.0161
M16	50	8.5	3.0	1986	3.21	-50	90	58.0	22752.0166
Stainless steel									
M 6	8	2.5	1.5	172	0.11	-50	90	1.0	22752.0561
M 6	16	2.5	1.5	172	0.11	-50	90	2.4	22752.0564
M 8	10	3.5	1.5	336	0.28	-50	90	2.4	22752.0581
M 8	20	3.5	1.5	336	0.28	-50	90	5.5	22752.0584
M10	12	4.5	2.0	556	0.58	-50	90	4.2	22752.0601
M10	25	4.5	2.0	556	0.58	-50	90	11.0	22752.0604
M12	16	6.5	2.5	1161	1.44	-50	90	7.7	22752.0621
M12	35	6.5	2.5	1161	1.44	-50	90	21.0	22752.0624
M16	20	8.5	3.0	1986	3.21	-50	90	20.0	22752.0661
M16	50	8.5	3.0	1986	3.21	-50	90	58.0	22752.0666

Application example



Compliance

For detailed compliance information please select the desired article number.