

## Self-Aligning Pads • self-resetting

EH 22731.



### Product Description

Self-aligning pads are used as stop, support and thrust pad and are suitable for installation in clamping elements.

By resetting to the parallel position the contact point of the self-aligning pad provides a defined initial position, thus preventing the pad clamping in an oblique position when inserting the workpiece.

### Material

#### Spring element

- Thermoplastic PUR

#### Ball

- Ball-bearing steel, hardened, bright
- Stainless steel 1.3541, nickel-plated

#### Body

- Heat-treated steel, tempered, phosphated
- Stainless steel 1.4057, heat-treated

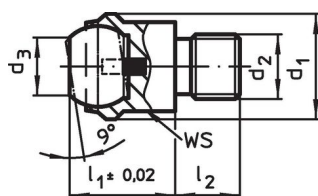
### More information

#### Notes

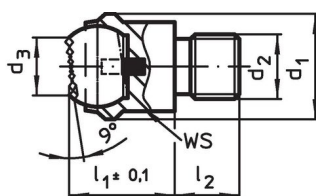
Ball protected against rotating.

Loading capacity valid for steel and stainless steel designs.

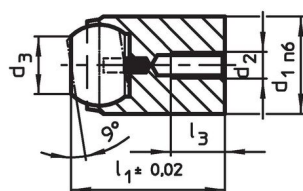
### Drawing



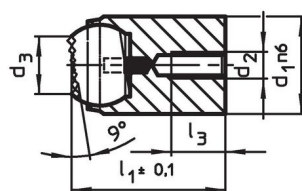
picture 1



picture 2



picture 3




picture 4

### Order information

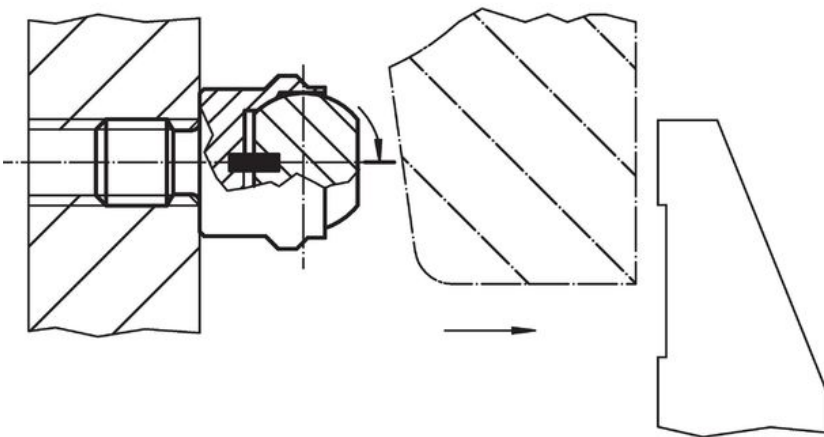
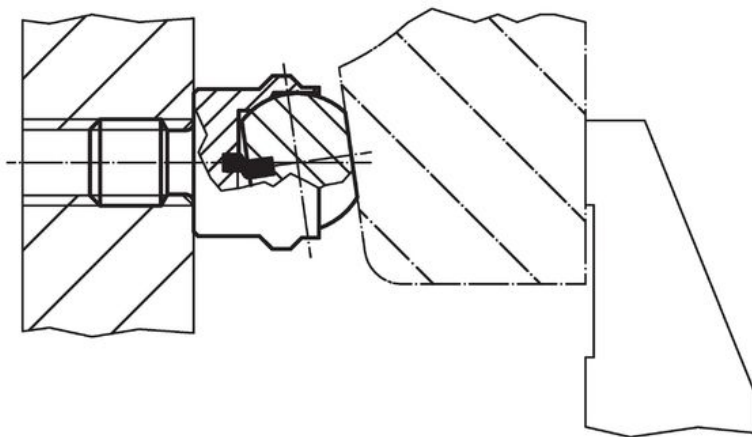
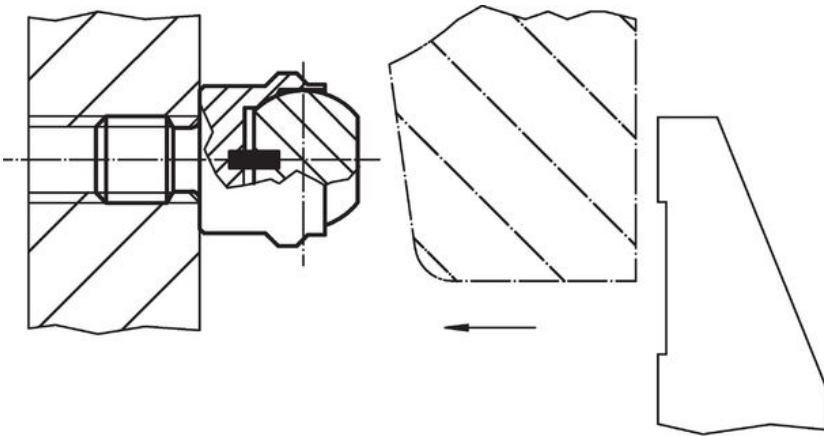
Dimensions							Location hole		WS	Load capacity for static load max.	Tightening torque max.	[g]	Art. No.
d <sub>1</sub>	d <sub>2</sub>	d <sub>3</sub>	l <sub>1</sub>	l <sub>2</sub> -0.5	l <sub>3</sub> max.	Ball diameter	Ø H7	Depth min.					
[mm]								[mm]	[mm]	[kN]	[Nm]		
<b>with male thread, flat-faced ball, bearing surface plain – picture 1, Heat-treated steel</b>													
13	M 6	7.2	13	8	–	10	–	–	11	10	10.0	12	<a href="#">22731.0012</a>
13	M 8	7.2	13	8	–	10	–	–	11	10	25.0	13	<a href="#">22731.0013</a>
20	M 8	10.5	18	10	–	16	–	–	17	25	25.0	38	<a href="#">22731.0018</a>
20	M10	10.5	18	10	–	16	–	–	17	25	46.0	40	<a href="#">22731.0019</a>
20	M12	10.5	18	12	–	16	–	–	17	25	82.0	43	<a href="#">22731.0020</a>
30	M16	20.0	27	16	–	25	–	–	27	90	206.0	149	<a href="#">22731.0030</a>
50	M20	34.5	35	20	–	40	–	–	41	165	407.0	486	<a href="#">22731.0050</a>
50	M24	34.5	35	24	–	40	–	–	41	165	698.0	516	<a href="#">22731.0060</a>
<b>with male thread, flat-faced ball, bearing surface plain – picture 1, Stainless steel</b>													
13	M 6	7.2	13	8	–	10	–	–	11	10	10.0	12	<a href="#">22731.0112</a>
13	M 8	7.2	13	8	–	10	–	–	11	10	25.0	13	<a href="#">22731.0113</a>
20	M 8	10.5	18	10	–	16	–	–	17	25	25.0	38	<a href="#">22731.0118</a>
20	M10	10.5	18	10	–	16	–	–	17	25	46.0	40	<a href="#">22731.0119</a>

<sup>1)</sup> Applies only when the minimum bore depth is kept to.

d <sub>1</sub>	d <sub>2</sub>	Dimensions				Ball diameter	Location hole		WS	Load capacity for static load max.	Tightening torque max.		Art. No.
		d <sub>3</sub>	l <sub>1</sub>	l <sub>2</sub> -0.5	l <sub>3</sub> max.		Ø H7	Depth min.					
[mm]													
20	M12	10.5	18	12	–	16	–	–	17	25	82.0	43	<a href="#">22731.0120</a>
30	M16	20.0	27	16	–	25	–	–	27	90	206.0	149	<a href="#">22731.0130</a>
50	M20	34.5	35	20	–	40	–	–	41	165	407.0	486	<a href="#">22731.0150</a>
50	M24	34.5	35	24	–	40	–	–	41	165	698.0	516	<a href="#">22731.0160</a>
<b>with male thread, flat-faced ball, bearing surface ribbed – picture 2, Heat-treated steel</b>													
13	M 6	7.2	13	8	–	10	–	–	11	10	10.0	12	<a href="#">22731.0312</a>
13	M 8	7.2	13	8	–	10	–	–	11	10	25.0	13	<a href="#">22731.0313</a>
20	M 8	10.5	18	10	–	16	–	–	17	25	25.0	37	<a href="#">22731.0318</a>
20	M10	10.5	18	10	–	16	–	–	17	25	46.0	40	<a href="#">22731.0319</a>
20	M12	10.5	18	12	–	16	–	–	17	25	82.0	43	<a href="#">22731.0320</a>
30	M16	20.0	27	16	–	25	–	–	27	90	206.0	149	<a href="#">22731.0330</a>
50	M20	34.5	35	20	–	40	–	–	41	165	407.0	482	<a href="#">22731.0350</a>
50	M24	34.5	35	24	–	40	–	–	41	165	698.0	511	<a href="#">22731.0360</a>
<b>for locating hole, flat-faced ball, bearing surface plain – picture 3, Heat-treated steel</b>													
12 n6	M 3	7.2	17	–	3.2	10	12	12	–	10 <sup>1)</sup>	1.3	13	<a href="#">22731.0412</a>
18 n6	M 4	10.5	23	–	4.0	16	18	14	–	25 <sup>1)</sup>	2.9	40	<a href="#">22731.0418</a>
28 n6	M 5	20.0	34	–	6.0	25	28	22	–	90 <sup>1)</sup>	6.0	151	<a href="#">22731.0428</a>
<b>for locating hole, flat-faced ball, bearing surface plain – picture 3, Stainless steel</b>													
12 n6	M 3	7.2	17	–	3.2	10	12	12	–	10 <sup>1)</sup>	1.3	13	<a href="#">22731.0452</a>
18 n6	M 4	10.5	23	–	4.0	16	18	14	–	25 <sup>1)</sup>	2.9	40	<a href="#">22731.0458</a>
28 n6	M 5	20.0	34	–	6.0	25	28	22	–	90 <sup>1)</sup>	6.0	151	<a href="#">22731.0468</a>
<b>for locating hole, flat-faced ball, bearing surface ribbed – picture 4, Heat-treated steel</b>													
12 n6	M 3	7.2	17	–	3.2	10	12	12	–	10 <sup>1)</sup>	1.3	13	<a href="#">22731.0712</a>
18 n6	M 4	10.5	23	–	4.0	16	18	14	–	25 <sup>1)</sup>	2.9	40	<a href="#">22731.0718</a>
28 n6	M 5	20.0	34	–	6.0	25	28	22	–	90 <sup>1)</sup>	6.0	150	<a href="#">22731.0728</a>

<sup>1)</sup> Applies only when the minimum bore depth is kept to.

Application example



## Compliance

### RoHS compliant

Compliant according to Directive 2011/65/EU and Directive 2015/863.

### Does not contain SVHC substances

No SVHC substances with more than 0.1% w/w contained - SVHC list [REACH] as of 23.01.2024.

### Does not contain Proposition 65 substances

No Proposition 65 substances included.

<https://www.P65Warnings.ca.gov/>

### Free from Conflict Minerals

This product does not contain any substances designated as "conflict minerals" such as tantalum, tin, gold or tungsten from the Democratic Republic of Congo or adjacent countries.