

Ball-Ended Thrust Screws • headless, with fine-pitch thread

EH 22720.



Product Description

Ball-ended thrust screws can also be used for positioning and clamping, tightening or supporting of non-parallel surfaces.

The fine-pitch thread allows a precise adjustment.

The flat-faced, movable ball enables a flat load transmission.

Material

Ball

- Ball-bearing steel, hardened
- Stainless steel, hardened

Screw

- Heat-treated steel, 1200 ±100 N/mm²
- Stainless steel 1.4305

More information

Notes

Ball not secured against rotating.
Customized design on request.

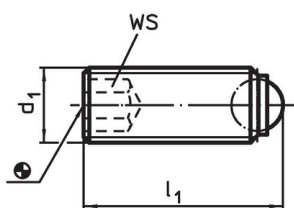
References

Thread lock on request, please refer to appendix - Technical Data -

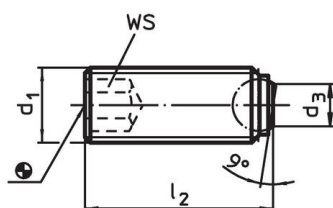
Further products

- Ball-Ended Thrust Screws, headless, ball protected against rotating
- Ball-Ended Thrust Screws, headless, round ball
- Ball-Ended Thrust Screws, headless, flat-faced ball

Drawing



picture 1



picture 2

Order information

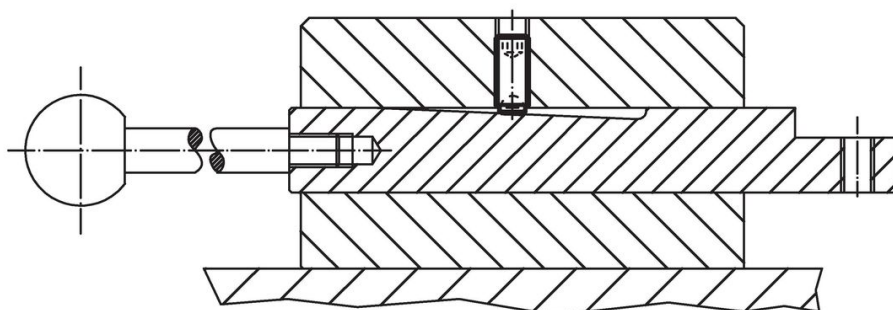
d ₁	Dimensions				WS	Load capacity for static load ¹⁾ max.	max. °C	g	Art. No.
	l ₁	l ₂	d ₃	Ball diameter					
[mm]									
round ball – picture 1, Heat-treated steel									
M4 x 0,35	6.0	–	–	2.5	2.0	3.5	250	0.4	22720.5030
M4 x 0,35	10.0	–	–	2.5	2.0	3.5	250	0.7	22720.5032
M4 x 0,5	6.0	–	–	2.5	2.0	3.5	250	0.3	22720.5040
M4 x 0,5	10.0	–	–	2.5	2.0	3.5	250	0.6	22720.5042
M5 x 0,5	8.0	–	–	3.0	2.5	4.5	250	0.7	22720.5050
M5 x 0,5	12.0	–	–	3.0	2.5	4.5	250	1.2	22720.5052
M6 x 0,5	10.8	–	–	4.0	3.0	9.0	250	1.5	22720.5060
M6 x 0,5	12.8	–	–	4.0	3.0	9.0	250	2.2	22720.5061
M6 x 0,5	16.8	–	–	4.0	3.0	9.0	250	2.7	22720.5062
M6 x 0,5	20.8	–	–	4.0	3.0	9.0	250	3.4	22720.5063
M6 x 0,5	25.8	–	–	4.0	3.0	9.0	250	4.4	22720.5064
M8 x 1	11.2	–	–	5.5	4.0	15.0	250	2.5	22720.5070
M8 x 1	21.2	–	–	5.5	4.0	15.0	250	5.5	22720.5073
round ball – picture 1, Stainless steel									
M4 x 0,35	6.0	–	–	2.5	2.0	3.5	250	0.4	22720.6030
M4 x 0,35	10.0	–	–	2.5	2.0	3.5	250	0.7	22720.6032
M4 x 0,5	6.0	–	–	2.5	2.0	3.5	250	0.3	22720.6040
M4 x 0,5	10.0	–	–	2.5	2.0	3.5	250	0.6	22720.6042

¹⁾ Statements on load capacity are not valid for the stainless steel type.

d ₁	Dimensions			Ball diameter	WS [mm]	Load capacity for static load ¹⁾ max. [kN]	max. [°C]	[g]	Art. No.
	l ₁	l ₂	d ₃						
	[mm]								
M5 x 0,5	8.0	–	–	3.0	2.5	4.5	250	0.7	22720.6050
M5 x 0,5	12.0	–	–	3.0	2.5	4.5	250	1.2	22720.6052
M6 x 0,5	10.8	–	–	4.0	3.0	9.0	250	1.5	22720.6060
M6 x 0,5	12.8	–	–	4.0	3.0	9.0	250	2.2	22720.6061
M6 x 0,5	16.8	–	–	4.0	3.0	9.0	250	2.7	22720.6062
M6 x 0,5	20.8	–	–	4.0	3.0	9.0	250	3.4	22720.6063
M6 x 0,5	25.8	–	–	4.0	3.0	9.0	250	4.4	22720.6064
M8 x 1	11.2	–	–	5.5	4.0	15.0	250	2.5	22720.6070
M8 x 1	21.2	–	–	5.5	4.0	15.0	250	5.5	22720.6073
flat-faced ball, bearing surface plain – picture 2, Heat-treated steel									
M4 x 0,35	–	5.6	1.3	2.5	2.0	3.5	250	0.3	22720.5230
M4 x 0,35	–	9.6	1.3	2.5	2.0	3.5	250	0.7	22720.5232
M4 x 0,5	–	5.6	1.3	2.5	2.0	3.5	250	0.3	22720.5240
M4 x 0,5	–	9.6	1.3	2.5	2.0	3.5	250	0.6	22720.5242
M5 x 0,5	–	7.5	2.2	3.0	2.5	4.5	250	0.7	22720.5250
M5 x 0,5	–	11.5	2.2	3.0	2.5	4.5	250	1.2	22720.5252
M6 x 0,5	–	10.0	3.2	4.0	3.0	9.0	250	1.5	22720.5260
M6 x 0,5	–	12.0	3.2	4.0	3.0	9.0	250	1.8	22720.5261
M6 x 0,5	–	16.0	3.2	4.0	3.0	9.0	250	2.6	22720.5262
M6 x 0,5	–	20.0	3.2	4.0	3.0	9.0	250	3.4	22720.5263
M6 x 0,5	–	25.0	3.2	4.0	3.0	9.0	250	4.4	22720.5264
M8 x 1	–	10.0	4.5	5.5	4.0	15.0	250	2.5	22720.5270
M8 x 1	–	20.0	4.5	5.5	4.0	15.0	250	5.4	22720.5273
flat-faced ball, bearing surface plain – picture 2, Stainless steel									
M4 x 0,35	–	5.6	1.3	2.5	2.0	3.5	250	0.3	22720.6230
M4 x 0,35	–	9.6	1.3	2.5	2.0	3.5	250	0.7	22720.6232
M4 x 0,5	–	5.6	1.3	2.5	2.0	3.5	250	0.3	22720.6240
M4 x 0,5	–	9.6	1.3	2.5	2.0	3.5	250	0.6	22720.6242
M5 x 0,5	–	7.5	2.2	3.0	2.5	4.5	250	0.7	22720.6250
M5 x 0,5	–	11.5	2.2	3.0	2.5	4.5	250	1.2	22720.6252
M6 x 0,5	–	10.0	3.2	4.0	3.0	9.0	250	1.5	22720.6260
M6 x 0,5	–	12.0	3.2	4.0	3.0	9.0	250	1.8	22720.6261
M6 x 0,5	–	16.0	3.2	4.0	3.0	9.0	250	2.6	22720.6262
M6 x 0,5	–	20.0	3.2	4.0	3.0	9.0	250	3.4	22720.6263
M6 x 0,5	–	25.0	3.2	4.0	3.0	9.0	250	4.4	22720.6264
M8 x 1	–	10.0	4.5	5.5	4.0	15.0	250	2.5	22720.6270
M8 x 1	–	20.0	4.5	5.5	4.0	15.0	250	5.4	22720.6273

¹⁾ Statements on load capacity are not valid for the stainless steel type.

Application example



Compliance

For detailed compliance information please select the desired article number.