

Ball-Ended Thrust Screws • headed, round ball

EH 22710.



Product Description

Ball-ended thrust screws can also be used for positioning and clamping, tightening or supporting of non-parallel surfaces.

Material

Ball

- Ball-bearing steel, hardened
- Stainless steel, hardened

Screw

- Heat-treated steel, 1200 ±100 N/mm²
- Stainless steel 1.4305

More information

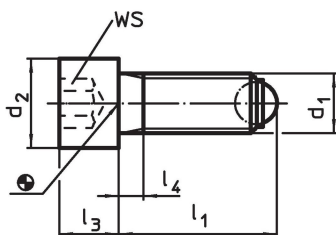
Notes

Special types on request.

References

Thread lock on request, please refer to appendix - Technical Data -


Drawing



Order information

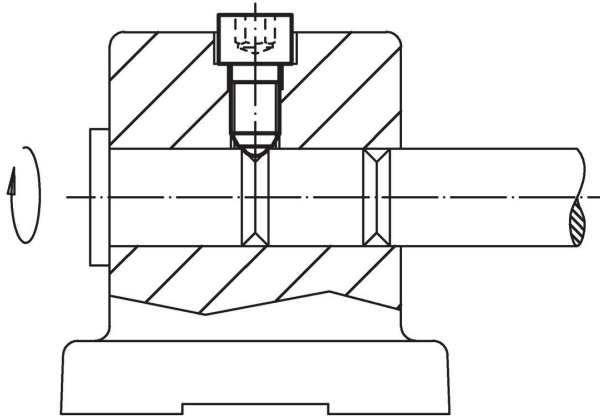
d ₁	l ₁	Dimensions			Ball diameter	WS	Load capacity for static load ¹⁾ max.	[g]	Art. No.
		d ₂	l ₃	l ₄					
round ball, Heat-treated steel									
M 6	20.8	10	6	3.0	4.0	5	9	6.1	22710.0062
M 6	30.8	10	6	3.0	4.0	5	9	7.9	22710.0064
M 6	40.8	10	6	16.0	4.0	5	9	9.9	22710.0066
M 8	21.2	13	8	3.5	5.5	6	15	13.0	22710.0082
M 8	36.2	13	8	3.5	5.5	6	15	17.0	22710.0084
M 8	51.2	13	8	22.0	5.5	6	15	23.0	22710.0086
M10	26.7	16	10	4.5	7.0	8	20	24.0	22710.0102
M10	41.7	16	10	4.5	7.0	8	20	32.0	22710.0104
M10	61.7	16	10	28.0	7.0	8	20	44.0	22710.0106
M12	32.0	18	12	5.0	8.5	10	30	39.0	22710.0122
M12	52.0	18	12	5.0	8.5	10	30	52.0	22710.0124
M12	82.0	18	12	44.0	8.5	10	30	80.0	22710.0126
M16	43.3	24	16	6.0	12.0	14	60	94.0	22710.0162
M16	63.3	24	16	6.0	12.0	14	60	122.0	22710.0164
M16	83.3	24	16	36.0	12.0	14	60	154.0	22710.0166
M20	54.2	30	20	7.5	15.0	17	90	186.0	22710.0202
M20	84.2	30	20	28.0	15.0	17	90	255.0	22710.0204
M20	104.2	30	20	48.0	15.0	17	90	306.0	22710.0206
M24	64.7	36	24	9.0	18.0	19	120	327.0	22710.0242
M24	94.7	36	24	30.0	18.0	19	120	428.0	22710.0244
M24	124.7	36	24	60.0	18.0	19	120	532.0	22710.0246
round ball, Stainless steel									
M 6	20.8	10	6	3.0	4.0	5	9	6.1	22710.0752
M 6	30.8	10	6	3.0	4.0	5	9	7.9	22710.0754
M 6	40.8	10	6	16.0	4.0	5	9	9.9	22710.0756
M 8	21.2	13	8	3.5	5.5	6	15	13.0	22710.0762
M 8	36.2	13	8	3.5	5.5	6	15	17.0	22710.0764
M 8	51.2	13	8	22.0	5.5	6	15	23.0	22710.0766

¹⁾ Statements on load capacity are not valid for the stainless steel type.

d ₁	l ₁ ~	Dimensions			Ball diameter	WS	Load capacity for static load ¹⁾ max.		Art. No.
		d ₂	l ₃	l ₄					
M10	26.7	16	10	4.5	7.0	8	20	24.0	22710.0772
M10	41.7	16	10	4.5	7.0	8	20	32.0	22710.0774
M10	61.7	16	10	28.0	7.0	8	20	44.0	22710.0776
M12	32.0	18	12	5.0	8.5	10	30	39.0	22710.0782
M12	52.0	18	12	5.0	8.5	10	30	52.0	22710.0784
M12	82.0	18	12	44.0	8.5	10	30	80.0	22710.0786
M16	43.3	24	16	6.0	12.0	14	60	94.0	22710.0792
M16	63.3	24	16	6.0	12.0	14	60	122.0	22710.0794
M16	83.3	24	16	36.0	12.0	14	60	154.0	22710.0796

¹⁾ Statements on load capacity are not valid for the stainless steel type.

Application example



Compliance

RoHS compliant

Compliant according to Directive 2011/65/EU and Directive 2015/863.

Does not contain SVHC substances

No SVHC substances with more than 0.1% w/w contained - SVHC list [REACH] as of 23.01.2024.

Does not contain Proposition 65 substances

No Proposition 65 substances included.

<https://www.P65Warnings.ca.gov/>

Free from Conflict Minerals

This product does not contain any substances designated as "conflict minerals" such as tantalum, tin, gold or tungsten from the Democratic Republic of Congo or adjacent countries.