

Seating Pins • ribbed or pointed

EH 22680.



Product Description

For workpieces showing a rough surface. Pointed type (picture 2) especially suitable for cast parts.

Material

Insert

- Hard metal, ribbed
- Hard metal, pointed

Body

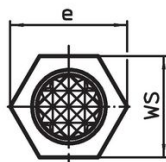
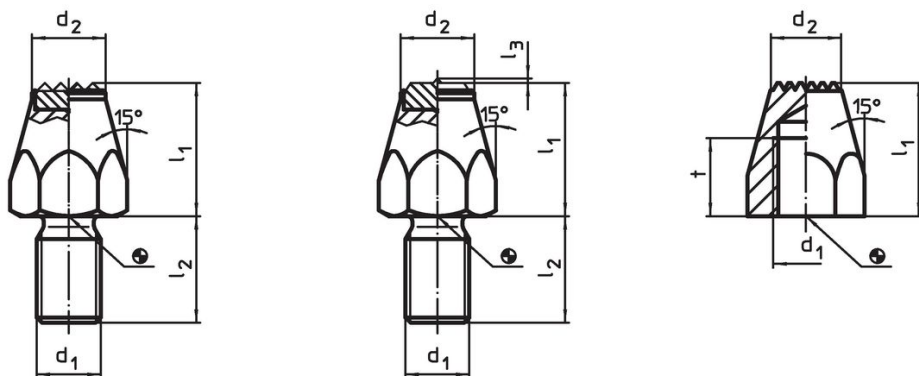
- Heat-treated steel, tempered, blackened
- Free cutting steel, case-hardened, blackened

More information

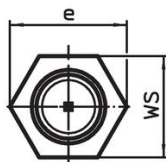
Further products

- Pins

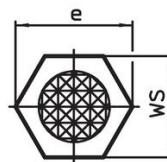
Drawing



picture 1



picture 2



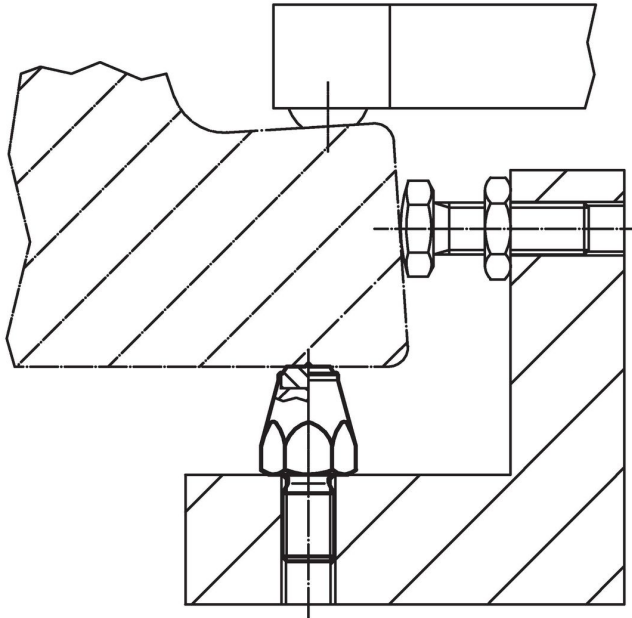
picture 3

Order information

l ₁	d ₁	l ₂	Dimensions			d ₂	e	WS	Tightening torque max.	[g]	Art. No.
			l ₃	t	[mm]						
with hard metal insert, ribbed, and threaded shank – picture 1											
10	M 6	11	–	–	9.5	11.5	10	7	8.8	22680.0061	
15	M 8	13	–	–	12.5	15.0	13	18	22.0	22680.0081	
20	M10	15	–	–	12.5	19.6	17	32	39.0	22680.0101	
25	M12	20	–	–	13.8	21.9	19	60	64.0	22680.0121	
with hard metal insert, pointed, and threaded shank – picture 2											
10	M 6	11	0.8	–	9.5	11.5	10	7	9.1	22680.0063	
15	M 8	13	0.8	–	12.5	15.0	13	18	22.0	22680.0083	
20	M10	15	0.8	–	12.5	19.6	17	32	40.0	22680.0103	
25	M12	20	0.8	–	13.8	21.9	19	60	65.0	22680.0123	
case-hardened, ribbed, with female thread – picture 3											
20	M 8	–	–	10	9.0	15.0	13	18	14.0	22680.0142	
25	M 8	–	–	10	9.0	15.0	13	18	20.0	22680.0144	
25	M10	–	–	13	12.5	19.6	17	32	31.0	22680.0164	
30	M10	–	–	13	12.5	19.6	17	32	40.0	22680.0166	

l ₁	d ₁	l ₂	Dimensions				d ₂	e	WS	Tightening torque max.	Art. No.
			l ₃	t	[mm]						
40	M10	–	–	13	12.5	19.6	17	32	60.0	22680.0168	
25	M12	–	–	15	13.0	21.9	19	60	33.0	22680.0184	
30	M12	–	–	15	13.0	21.9	19	60	44.0	22680.0186	
40	M12	–	–	15	13.0	21.9	19	60	69.0	22680.0188	

Application example



Compliance

For detailed compliance information please select the desired article number.