

## Mounting Pads

EH 22590.



### Product Description

Mounting pads can be used as foot or thrust pad. Not parallel bearing surfaces up to 15° degrees can be compensated.

### Material

#### Ball element

- Heat-treated steel, tempered, blackened
- Stainless steel 1.4305

#### Ball element with bolt

- Heat-treated steel, tempered, blackened
- Stainless steel 1.4305

#### Lock nut

- Steel, blackened, ISO 4032
- Steel, blackened, DIN 934
- Stainless Steel A2, ISO 4032
- Stainless Steel A2, DIN 934

#### Pad

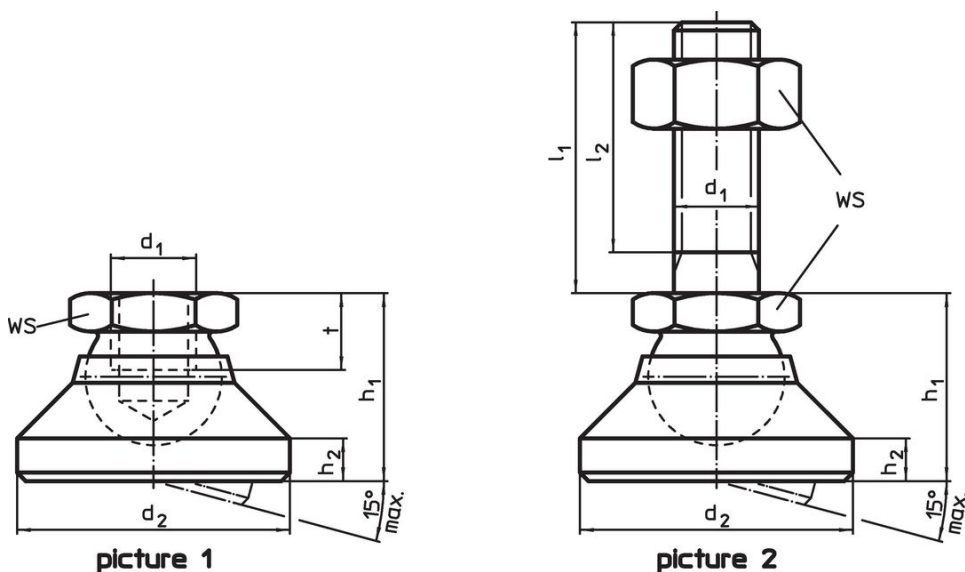
- Heat-treated steel, blackened
- Stainless steel 1.4305
- Thermoplastic POM, white

### More information

#### Notes



For the versions  $d_1 = M10$  and  $M12$  the lock nut conforms to DIN 934.

### Drawing

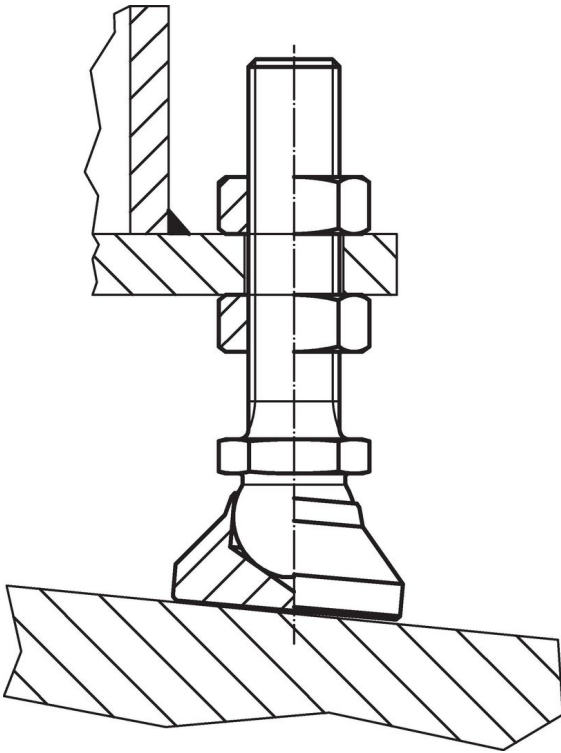


### Order information

d <sub>1</sub>	l <sub>1</sub>	d <sub>2</sub>	Dimensions				t	WS	Load capacity for static load max.	Temperature		Weight [g]	Art. No.
			l <sub>2</sub>	h <sub>1</sub>	h <sub>2</sub>	min.				max.			
			[mm]						[kN]	[°C]			
<b>pad and ball element – picture 1, Heat-treated steel</b>													
M 6	–	20	–	14	2.5	5.0	10	10	–	250	15.0	22590.0006	
M 8	–	25	–	18	4.0	7.0	13	18	–	250	33.0	22590.0008	
M10	–	32	–	22	5.0	9.0	17	20	–	250	67.0	22590.0010	
M12	–	40	–	26	6.0	11.0	19	35	–	250	112.0	22590.0012	
M16	–	50	–	32	7.0	13.5	24	45	–	250	254.0	22590.0016	
M20	–	60	–	42	8.0	17.0	30	55	–	250	451.0	22590.0020	
M24	–	60	–	45	9.5	19.0	36	65	–	250	498.0	22590.0024	

d <sub>1</sub>	l <sub>1</sub>	Dimensions					t	WS [mm]	Load capacity for static load max. [kN]	 min.   max.		 [g]	Art. No.
		d <sub>2</sub>	l <sub>2</sub>	h <sub>1</sub> ~	h <sub>2</sub>	[mm]				[°C]			
<b>pad and ball element – picture 1, Stainless steel</b>													
M 6	–	20	–	14	2.5	5.0	10	8	–	250	15.0	22590.0206	
M 8	–	25	–	18	4.0	7.0	13	14	–	250	33.0	22590.0208	
M10	–	32	–	22	5.0	9.0	17	16	–	250	67.0	22590.0210	
M12	–	40	–	26	6.0	11.0	19	28	–	250	113.0	22590.0212	
M16	–	50	–	32	7.0	13.5	24	36	–	250	256.0	22590.0216	
M20	–	60	–	42	8.0	17.0	30	44	–	250	452.0	22590.0220	
M24	–	60	–	45	9.5	19.0	36	52	–	250	504.0	22590.0224	
<b>pad from thermoplastic, ball element from stainless steel – picture 1, Thermoplastic</b>													
M 6	–	20	–	14	2.5	5.0	10	4	-30	80	6.1	22590.0106	
M 8	–	25	–	18	4.0	7.0	13	7	-30	80	13.0	22590.0108	
M10	–	32	–	22	5.0	9.0	17	10	-30	80	26.0	22590.0110	
M12	–	40	–	26	6.0	11.0	19	18	-30	80	40.0	22590.0112	
M16	–	50	–	32	7.0	13.5	24	20	-30	80	75.0	22590.0116	
M20	–	60	–	42	8.0	17.0	30	22	-30	80	150.0	22590.0120	
M24	–	60	–	45	9.5	19.0	36	25	-30	80	184.0	22590.0124	
<b>pad and ball element with bolt from steel – picture 2, Heat-treated steel</b>													
M 6	60	20	57.0	14	2.5	–	10	10	–	250	29.0	22590.0410	
M 8	80	25	76.0	18	4.0	–	13	18	–	250	66.0	22590.0422	
M10	100	32	95.5	22	5.0	–	17	20	–	250	133.0	22590.0438	
M10	150	32	145.5	22	5.0	–	17	20	–	250	156.0	22590.0442	
M12	100	40	94.5	26	6.0	–	19	35	–	250	237.0	22590.0452	
M12	150	40	144.5	26	6.0	–	19	35	–	250	283.0	22590.0456	
M16	100	50	94.0	32	7.0	–	24	45	–	250	460.0	22590.0468	
M16	200	50	194.0	32	7.0	–	24	45	–	250	608.0	22590.0472	
M20	100	60	92.5	42	8.0	–	30	55	–	250	781.0	22590.0482	
M20	200	60	192.5	42	8.0	–	30	55	–	250	1015.0	22590.0488	
M24	100	60	91.0	45	9.5	–	36	65	–	250	994.0	22590.0495	
M24	200	60	191.0	45	9.5	–	36	65	–	250	1320.0	22590.0498	
<b>pad and ball element with bolt from steel – picture 2, Stainless steel</b>													
M 6	60	20	57.0	14	2.5	–	10	8	–	250	29.0	22590.0610	
M 8	80	25	76.0	18	4.0	–	13	14	–	250	66.0	22590.0622	
M10	100	32	95.5	22	5.0	–	17	16	–	250	134.0	22590.0638	
M10	150	32	145.5	22	5.0	–	17	16	–	250	158.0	22590.0642	
M12	100	40	94.5	26	6.0	–	19	28	–	250	212.0	22590.0652	
M12	150	40	144.5	26	6.0	–	19	28	–	250	248.0	22590.0656	
M16	100	50	94.0	32	7.0	–	24	36	–	250	412.0	22590.0668	
M16	200	50	194.0	32	7.0	–	24	36	–	250	624.0	22590.0672	
M20	100	60	92.5	42	8.0	–	30	44	–	250	790.0	22590.0682	
M20	200	60	192.5	42	8.0	–	30	44	–	250	1031.0	22590.0688	
M24	100	60	91.0	45	9.5	–	36	52	–	250	1001.0	22590.0695	
M24	200	60	191.0	45	9.5	–	36	52	–	250	1323.0	22590.0698	
<b>pad from thermoplastic, ball element with bolt from stainless steel – picture 2, Thermoplastic</b>													
M 6	60	20	57.0	14	2.5	–	10	4	-30	80	20.0	22590.0510	
M 8	80	25	76.0	18	4.0	–	13	7	-30	80	46.0	22590.0522	
M10	100	32	95.5	22	5.0	–	17	10	-30	80	93.0	22590.0538	
M10	150	32	145.5	22	5.0	–	17	10	-30	80	117.0	22590.0542	
M12	100	40	94.5	26	6.0	–	19	18	-30	80	139.0	22590.0552	
M12	150	40	144.5	26	6.0	–	19	18	-30	80	175.0	22590.0556	
M16	100	50	94.0	32	7.0	–	24	20	-30	80	300.0	22590.0568	
M16	200	50	194.0	32	7.0	–	24	20	-30	80	399.0	22590.0572	
M20	100	60	92.5	42	8.0	–	30	22	-30	80	523.0	22590.0582	
M20	200	60	192.5	42	8.0	–	30	22	-30	80	759.0	22590.0588	
M24	100	60	91.0	45	9.5	–	36	25	-30	80	735.0	22590.0595	
M24	200	60	191.0	45	9.5	–	36	25	-30	80	1041.0	22590.0598	

## Application example



## Compliance

### RoHS compliant

Compliant according to Directive 2011/65/EU and Directive 2015/863.

### Does not contain SVHC substances

No SVHC substances with more than 0.1% w/w contained - SVHC list [REACH] as of 23.01.2024.

### Does not contain Proposition 65 substances

No Proposition 65 substances included.

<https://www.P65Warnings.ca.gov/>

### Free from Conflict Minerals

This product does not contain any substances designated as "conflict minerals" such as tantalum, tin, gold or tungsten from the Democratic Republic of Congo or adjacent countries.