

Grub Screws • ball-headed EH 22570.



Product Description

The ball-headed grub screws (EH 22570.) can be combined with plastic thrust pads (EH 22570.).

Material

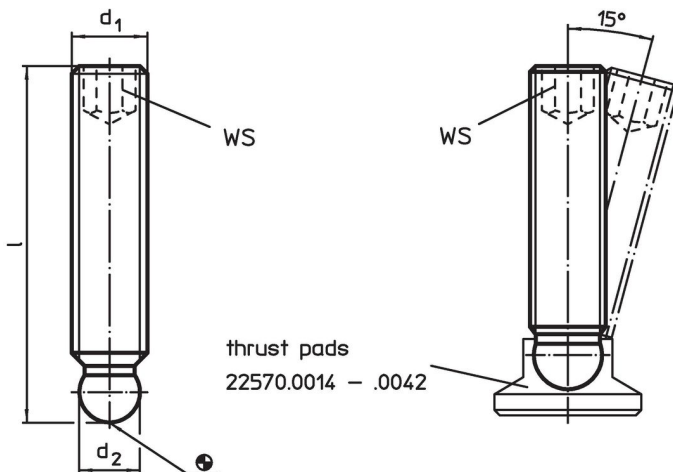
- Free cutting steel, quality 5.8, blackened
- Stainless steel 1.4305

More information


Further products


- Thrust Pads, plastic

Drawing

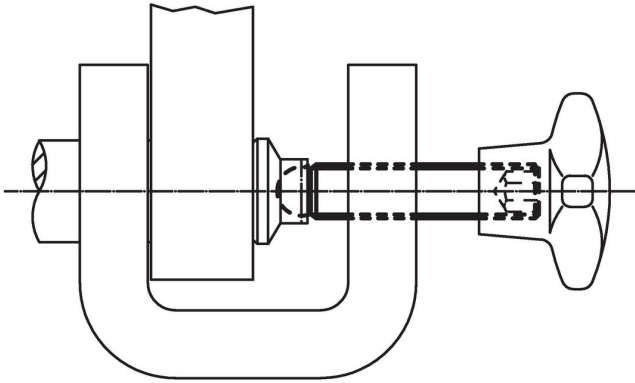


Order information

d ₁	Dimensions l [mm]	d ₂ +0.05	WS [mm]	 [g]	Art. No.
Free cutting steel					
M 6	30	4.5	3	5.1	22570.0210
M 6	40	4.5	3	5.9	22570.0214
M 6	50	4.5	3	7.6	22570.0218
M 8	25	6.1	4	5.8	22570.0219
M 8	40	6.1	4	11.0	22570.0220
M 8	50	6.1	4	14.0	22570.0224
M 8	63	6.1	4	18.0	22570.0228
M10	40	7.8	5	16.0	22570.0248
M10	50	7.8	5	21.0	22570.0250
M10	63	7.8	5	27.0	22570.0254
M10	80	7.8	5	36.0	22570.0258
M12	40	9.4	6	23.0	22570.0316
M12	63	9.4	6	39.0	22570.0320
M12	80	9.4	6	51.0	22570.0324
M12	100	9.4	6	65.0	22570.0328
Stainless steel					
M 6	30	4.5	3	5.1	22570.0410
M 6	40	4.5	3	5.9	22570.0414
M 6	50	4.5	3	7.6	22570.0418
M 8	25	6.1	4	5.8	22570.0419
M 8	40	6.1	4	11.0	22570.0420
M 8	50	6.1	4	14.0	22570.0424
M 8	63	6.1	4	18.0	22570.0428
M10	40	7.8	5	16.0	22570.0448
M10	50	7.8	5	21.0	22570.0450
M10	63	7.8	5	27.0	22570.0454

d ₁	Dimensions		WS		Art. No.
	l	d ₂ +0.05			
M10	80	7.8	5	36.0	22570.0458
M12	40	9.4	6	23.0	22570.0516
M12	63	9.4	6	39.0	22570.0520
M12	80	9.4	6	51.0	22570.0524
M12	100	9.4	6	65.0	22570.0528

Application example



Compliance

For detailed compliance information please select the desired article number.