

## Retaining Cables

EH 22400.



### Product Description

These retaining cables secure the single-acting ball lock pin EH 22340., EH 22350., EH 22370. and EH 22380., as well as clamping pin EH 22360., and socket pin EH 22400. against possible loss.

### Material

#### Attaching ring

- Stainless steel

#### Eyelet

- Stainless steel
- Brass, tin-plated

#### Retaining cable

- Stainless steel
- Thermoplastic PA 6, grey
- Thermoplastic PUR, black, with filling thread

#### Coating retaining cable

- Without coating
- Thermoplastic PA 6 coated, black
- Thermoplastic PA 6 coated, clear
- Thermoplastic PVC coated, green (transparent)
- Thermoplastic PA 6, grey
- Thermoplastic PUR, black

### Assembly

Attached holding clips (picture 5/6) to the ball lock pin with a soft-face mallet. Disassemble via levering it with a screw driver.

Thermoplastic version (picture 7): cut-off projecting ends without burr after being fastened.

Spiral form design (picture 8) with very high effective working length.

### More information

#### Notes

Special types on request.

Models picture 3 and picture 4 correspond to MIL-DTL-83420.

#### Further products

- Retaining Cables, for threaded lock pin
- Lanyards, according to DAN80
- Lanyards, according to NSA5732

Drawing




Order information

l	Dimensions		Suitable for size [mm]	max. [°C]	[g]	Art. No.
	l <sub>1</sub> [mm]	l <sub>2</sub> max.				
<b>stainless steel, with 2 attaching rings – picture 1, Thermoplastic PA 6 coated, black</b>						
150	-	-	-	80	7.8	22400.0940 <sup>1)</sup>
200	-	-	-	80	8.4	22400.0941 <sup>1)</sup>
300	-	-	-	80	9.7	22400.0943 <sup>1)</sup>
<b>stainless steel, with attaching ring and eyelet – picture 2, Thermoplastic PA 6 coated, black</b>						
150	-	-	-	80	7.7	22400.0945 <sup>1)</sup>
200	-	-	-	80	7.5	22400.0946 <sup>1)</sup>
300	-	-	-	80	8.6	22400.0948 <sup>1)</sup>
<b>stainless steel, with 2 attaching rings – picture 1, Thermoplastic PA 6 coated, clear</b>						
150	-	-	-	80	7.8	22400.0950 <sup>1)</sup>
200	-	-	-	80	8.4	22400.0952 <sup>1)</sup>
300	-	-	-	80	9.7	22400.0956 <sup>1)</sup>


<sup>1)</sup> not for ball lock pins, basic type

<sup>2)</sup> for ball lock pins, basic type

l	Dimensions		Suitable for size [mm]	max. [°C]	 [g]	Art. No.
	l <sub>1</sub> [mm]	l <sub>2</sub> max. [mm]				
<b>stainless steel, with attaching ring and eyelet – picture 2, Thermoplastic PA 6 coated, clear</b>						
150	–	–	–	80	7.7	22400.0960 <sup>1)</sup>
200	–	–	–	80	7.5	22400.0962 <sup>1)</sup>
300	–	–	–	80	8.6	22400.0966 <sup>1)</sup>
<b>stainless steel, with 2 attaching rings – picture 1, Without coating</b>						
150	–	–	–	250	7.4	22400.0930 <sup>1)</sup>
200	–	–	–	250	7.9	22400.0931 <sup>1)</sup>
300	–	–	–	250	8.9	22400.0933 <sup>1)</sup>
<b>stainless steel, with attaching ring and eyelet – picture 2, Without coating</b>						
150	–	–	–	250	6.6	22400.0935 <sup>1)</sup>
200	–	–	–	250	7.0	22400.0936 <sup>1)</sup>
300	–	–	–	250	8.0	22400.0938 <sup>1)</sup>
<b>stainless steel, with fixing tab, rectangular and attaching ring – picture 3, Thermoplastic PVC coated, green (transparent)</b>						
150	–	–	–	80	11.0	22400.1301 <sup>1)</sup>
200	–	–	–	80	12.0	22400.1302 <sup>1)</sup>
300	–	–	–	80	14.0	22400.1303 <sup>1)</sup>
<b>stainless steel, with fixing tab in drop shape and attaching ring – picture 4, Thermoplastic PVC coated, green (transparent)</b>						
150	–	–	–	80	11.0	22400.1311 <sup>1)</sup>
200	–	–	–	80	12.0	22400.1312 <sup>1)</sup>
300	–	–	–	80	14.0	22400.1313 <sup>1)</sup>
<b>stainless steel, with holding clip and eyelet – picture 5, Thermoplastic PA 6 coated, clear</b>						
150	–	–	5/ 6	80	6.2	22400.1001 <sup>2)</sup>
150	–	–	8/10	80	7.1	22400.1021 <sup>2)</sup>
150	–	–	12/16	80	8.2	22400.1041 <sup>2)</sup>
150	–	–	20/25	80	11.0	22400.1061 <sup>2)</sup>
200	–	–	5/ 6	80	6.8	22400.1002 <sup>2)</sup>
200	–	–	8/10	80	7.7	22400.1022 <sup>2)</sup>
200	–	–	12/16	80	8.9	22400.1042 <sup>2)</sup>
200	–	–	20/25	80	12.0	22400.1062 <sup>2)</sup>
300	–	–	5/ 6	80	8.0	22400.1003 <sup>2)</sup>
300	–	–	8/10	80	8.9	22400.1023 <sup>2)</sup>
300	–	–	12/16	80	10.0	22400.1043 <sup>2)</sup>
300	–	–	20/25	80	13.0	22400.1063 <sup>2)</sup>
<b>stainless steel, with holding clip and eyelet – picture 5, Thermoplastic PA 6 coated, black</b>						
150	–	–	5/ 6	80	6.2	22400.1101 <sup>2)</sup>
150	–	–	8/10	80	7.1	22400.1121 <sup>2)</sup>
150	–	–	12/16	80	8.2	22400.1141 <sup>2)</sup>
150	–	–	20/25	80	11.0	22400.1161 <sup>2)</sup>
200	–	–	5/ 6	80	6.8	22400.1102 <sup>2)</sup>
200	–	–	8/10	80	7.7	22400.1122 <sup>2)</sup>
200	–	–	12/16	80	8.9	22400.1142 <sup>2)</sup>
200	–	–	20/25	80	12.0	22400.1162 <sup>2)</sup>
300	–	–	5/ 6	80	8.0	22400.1103 <sup>2)</sup>
300	–	–	8/10	80	8.9	22400.1123 <sup>2)</sup>
300	–	–	12/16	80	10.0	22400.1143 <sup>2)</sup>
300	–	–	20/25	80	13.0	22400.1163 <sup>2)</sup>
<b>stainless steel, with holding clip and eyelet – picture 5, Without coating</b>						
150	–	–	5/ 6	250	5.8	22400.1201 <sup>2)</sup>
150	–	–	8/10	250	6.7	22400.1221 <sup>2)</sup>
150	–	–	12/16	250	7.9	22400.1241 <sup>2)</sup>
150	–	–	20/25	250	11.0	22400.1261 <sup>2)</sup>



<sup>1)</sup> not for ball lock pins, basic type

<sup>2)</sup> for ball lock pins, basic type

l	Dimensions		Suitable for size [mm]	max. [°C]	 [g]	Art. No.
	l <sub>1</sub> [mm]	l <sub>2</sub> max.				
200	–	–	5/ 6	250	6.3	22400.1202 <sup>2)</sup>
200	–	–	8/10	250	7.2	22400.1222 <sup>2)</sup>
200	–	–	12/16	250	8.4	22400.1242 <sup>2)</sup>
200	–	–	20/25	250	11.0	22400.1262 <sup>2)</sup>
300	–	–	5/ 6	250	7.3	22400.1203 <sup>2)</sup>
300	–	–	8/10	250	8.2	22400.1223 <sup>2)</sup>
300	–	–	12/16	250	9.5	22400.1243 <sup>2)</sup>
300	–	–	20/25	250	13.0	22400.1263 <sup>2)</sup>
<b>stainless steel, with holding clip and attaching ring – picture 6, Thermoplastic PA 6 coated, clear</b>						
150	–	–	5/ 6	80	6.3	22400.1011 <sup>2)</sup>
150	–	–	8/10	80	7.3	22400.1031 <sup>2)</sup>
150	–	–	12/16	80	8.4	22400.1051 <sup>2)</sup>
150	–	–	20/25	80	11.0	22400.1071 <sup>2)</sup>
200	–	–	5/ 6	80	7.0	22400.1012 <sup>2)</sup>
200	–	–	8/10	80	7.8	22400.1032 <sup>2)</sup>
200	–	–	12/16	80	9.0	22400.1052 <sup>2)</sup>
200	–	–	20/25	80	12.0	22400.1072 <sup>2)</sup>
300	–	–	5/ 6	80	8.2	22400.1013 <sup>2)</sup>
300	–	–	8/10	80	9.0	22400.1033 <sup>2)</sup>
300	–	–	12/16	80	10.0	22400.1053 <sup>2)</sup>
300	–	–	20/25	80	13.0	22400.1073 <sup>2)</sup>
<b>stainless steel, with holding clip and attaching ring – picture 6, Thermoplastic PA 6 coated, black</b>						
150	–	–	5/ 6	80	6.3	22400.1111 <sup>2)</sup>
150	–	–	8/10	80	7.3	22400.1131 <sup>2)</sup>
150	–	–	12/16	80	8.4	22400.1151 <sup>2)</sup>
150	–	–	20/25	80	11.0	22400.1171 <sup>2)</sup>
200	–	–	5/ 6	80	7.0	22400.1112 <sup>2)</sup>
200	–	–	8/10	80	7.8	22400.1132 <sup>2)</sup>
200	–	–	12/16	80	9.0	22400.1152 <sup>2)</sup>
200	–	–	20/25	80	12.0	22400.1172 <sup>2)</sup>
300	–	–	5/ 6	80	8.2	22400.1113 <sup>2)</sup>
300	–	–	8/10	80	9.0	22400.1133 <sup>2)</sup>
300	–	–	12/16	80	10.0	22400.1153 <sup>2)</sup>
300	–	–	20/25	80	13.0	22400.1173 <sup>2)</sup>
<b>stainless steel, with holding clip and attaching ring – picture 6, Without coating</b>						
150	–	–	5/ 6	250	5.9	22400.1211 <sup>2)</sup>
150	–	–	8/10	250	6.8	22400.1231 <sup>2)</sup>
150	–	–	12/16	250	8.0	22400.1251 <sup>2)</sup>
150	–	–	20/25	250	11.0	22400.1271 <sup>2)</sup>
200	–	–	5/ 6	250	6.4	22400.1212 <sup>2)</sup>
200	–	–	8/10	250	7.3	22400.1232 <sup>2)</sup>
200	–	–	12/16	250	8.5	22400.1252 <sup>2)</sup>
200	–	–	20/25	250	12.0	22400.1272 <sup>2)</sup>
300	–	–	5/ 6	250	7.4	22400.1213 <sup>2)</sup>
300	–	–	8/10	250	8.6	22400.1233 <sup>2)</sup>
300	–	–	12/16	250	9.5	22400.1253 <sup>2)</sup>
300	–	–	20/25	250	13.0	22400.1273 <sup>2)</sup>

<sup>1)</sup> not for ball lock pins, basic type

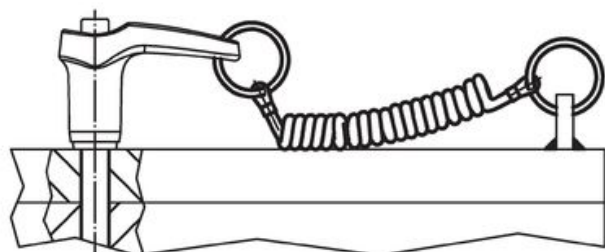
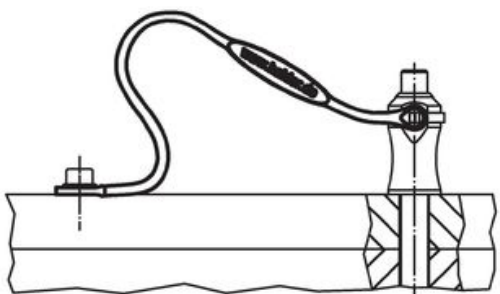
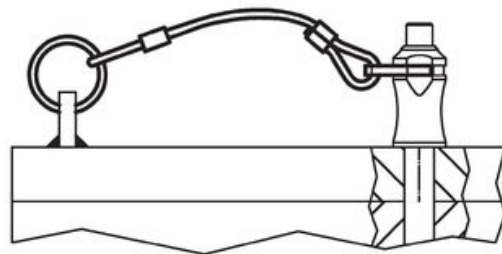
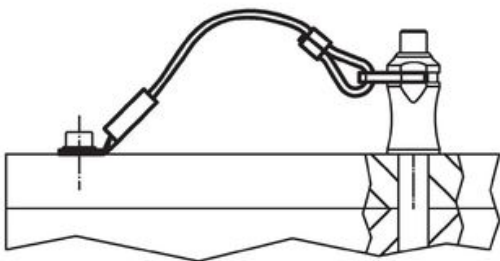
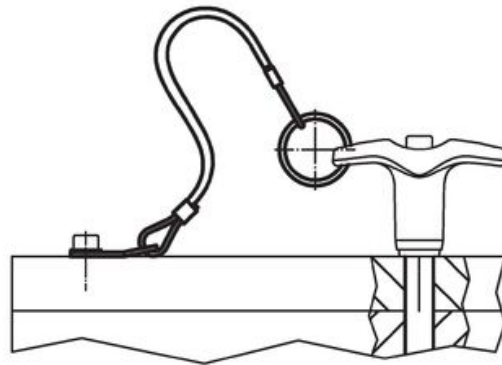
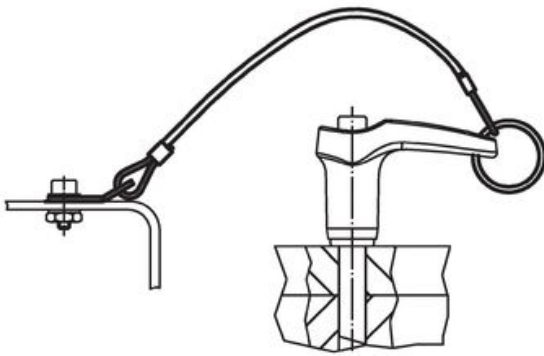
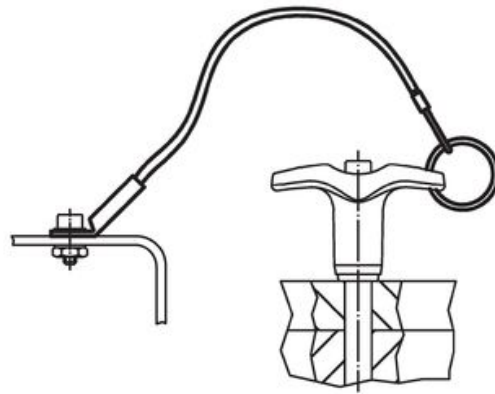
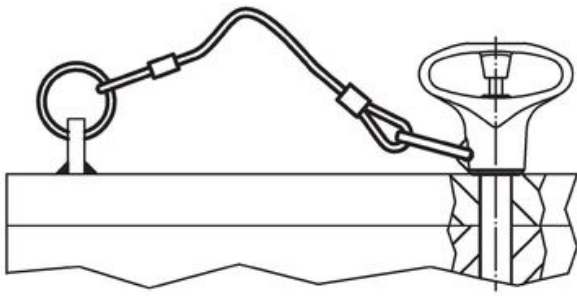
<sup>2)</sup> for ball lock pins, basic type

l	Dimensions		Suitable for size [mm]	 max. [°C]	 [g]	Art. No.
	l <sub>1</sub> [mm]	l <sub>2</sub> max.				
<b>with double sided clamping/indexing mechanism – picture 7, Thermoplastic PA 6, grey</b>						
150	–	–	–	80	1.8	<a href="#">22400.0970</a>
250	–	–	–	80	2.4	<a href="#">22400.0974</a>
<b>spiral form, with attaching rings – picture 8, Thermoplastic PUR, black</b>						
–	100	600	–	80	15.0	<a href="#">22400.0980<sup>1)</sup></a>
–	200	1200	–	80	16.0	<a href="#">22400.0982<sup>1)</sup></a>

<sup>1)</sup> not for ball lock pins, basic type

<sup>2)</sup> for ball lock pins, basic type

Application example



## Compliance

### RoHS compliant

Compliant according to Directive 2011/65/EU and Directive 2015/863.

### Does not contain SVHC substances

No SVHC substances with more than 0.1% w/w contained - SVHC list [REACH] as of 27.06.2024.

### Does not contain Proposition 65 substances

No Proposition 65 substances included.

<https://www.P65Warnings.ca.gov/>

### Free from Conflict Minerals

This product does not contain any substances designated as "conflict minerals" such as tantalum, tin, gold or tungsten from the Democratic Republic of Congo or adjacent countries.