

## Threaded Lifting Pins • self-locking

EH 22352.



### Product Description

Heavy-duty lifting element for quick and easy use, with moveable shackle and locking stud to provide protection against unintentional unlocking. For lifting loads, the threaded lifting pin is inserted into a threaded hole. In contrast to a ringbolt, time-consuming screwing in and out is therefore unnecessary.

All versions are corrosion-protected. The version made of stainless steel is also resistant to corrosion and weathering, so it is also suitable for external use. In addition, the high-strength, precipitation-hardened pin makes extreme loads possible.

### Material

#### Pin part

- Heat-treated steel, tempered, manganese phosphated
- Stainless steel 1.4542, precipitation-hardened

#### Press button

- Aluminium, orange, anodised

#### Threaded element

- Stainless steel 1.4542, precipitation-hardened

#### Shackle

- Heat-treated steel, tempered, manganese phosphated
- Stainless steel 1.4571

#### Spring

- Stainless Steel

### Assembly

Threaded lifting pins can be mounted into a thread that is true to gauge.

#### Mounting:

1. Press in the button and hold it down.
2. Insert the threaded lifting pin.
3. Release the button (The button must be back in its original position.).
4. Tighten the threaded lifting pin by hand, until it bears completely on the bearing surface.
5. It must be ensured that the threaded segments are engaged in the mounting thread.

#### Dismantling:

1. Unscrew the threaded lifting pin approx. a quarter of a turn anticlockwise.
2. Press in the button and hold it down.
3. Remove the threaded lifting pin.
4. Release the button.

### Operation

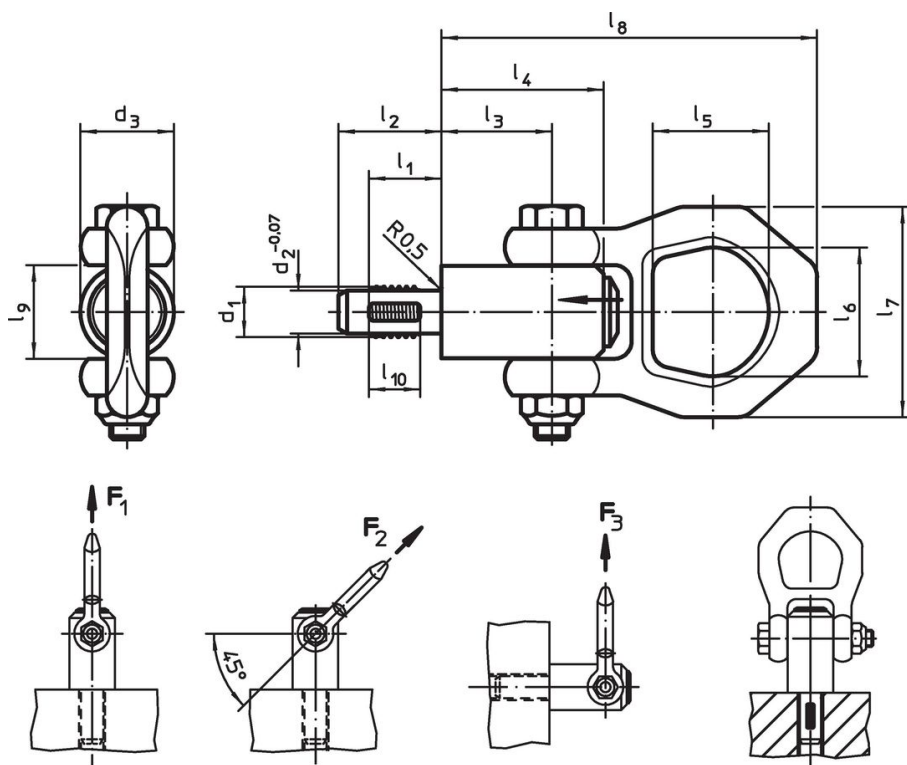
Each threaded lifting pin contains an instruction manual with an EC Declaration of Conformity.

### More information

#### Further products

- Lifting Pins, self-locking
- Lifting Pins, self-locking, stainless steel
- Threaded Lifting Pins, self-locking, for centre holes according to DIN 332
- Threaded Lifting Pins, self-locking, with rotatable shackle
- Threaded Lifting Pins, self-locking - INCH
- Threaded Lifting Pins, self-locking, with rotatable shackle - INCH

Drawing



Order information

Dimensions													Load capacity according to DIN EN 13155			Locating thread	max.		Art. No.
d <sub>1</sub>	l <sub>1</sub>	d <sub>2</sub> -0.07	d <sub>3</sub>	l <sub>2</sub>	l <sub>3</sub>	l <sub>4</sub>	l <sub>5</sub>	l <sub>6</sub>	l <sub>7</sub>	l <sub>8</sub>	l <sub>9</sub>	l <sub>10</sub>	F <sub>1</sub>	F <sub>2</sub>	F <sub>3</sub>	[mm]	[°C]	[g]	
[mm]													[kN]						
<b>Heat-treated steel</b>																			
M 8	12	6.62	21.5	17.8	25.7	36	27.0	30.0	49	87.5	21.5	8	2.1	0.9	0.8	M 8	250	274	<a href="#">22352.0008</a>
M10	14	8.35	21.5	20.0	25.7	36	27.0	30.0	49	87.5	21.5	10	3.9	1.5	1.5	M10	250	268	<a href="#">22352.0010</a>
M12	17	10.07	21.5	24.0	25.7	36	27.0	30.0	49	87.5	21.5	12	6.2	2.5	2.3	M12	250	273	<a href="#">22352.0012</a>
M14	17	11.80	21.5	24.0	25.7	36	27.0	30.0	49	87.5	21.5	12	7.8	4.2	2.9	M14	250	279	<a href="#">22352.0014</a>
M16	17	13.80	21.5	24.0	25.7	36	27.0	30.0	49	87.5	21.5	12	8.4	4.5	4.2	M16	250	284	<a href="#">22352.0016</a>
M20	22	17.25	30.0	30.0	36.5	52	32.6	36.0	56	114.0	26.0	17	16.6	7.7	5.8	M20	250	586	<a href="#">22352.0020</a>
M24	27	20.70	36.0	36.0	42.0	60	50.6	49.8	82	152.0	36.0	22	23.0	11.1	8.6	M24	250	1187	<a href="#">22352.0024</a>
M27	31	23.67	45.0	40.0	42.0	60	50.6	49.8	82	152.0	36.0	26	33.8	15.7	13.7	M27	250	1546	<a href="#">22352.0027</a>
M30	35	26.10	45.0	45.0	42.0	60	50.6	49.8	82	152.0	36.0	30	42.3	21.5	15.5	M30	250	1596	<a href="#">22352.0030</a>
<b>Stainless steel</b>																			
M 8	12	6.62	21.5	17.8	25.7	36	27.0	30.0	49	87.5	21.5	8	2.1	0.9	0.8	M 8	250	274	<a href="#">22352.1008</a>
M10	14	8.35	21.5	20.0	25.7	36	27.0	30.0	49	87.5	21.5	10	3.9	1.5	1.5	M10	250	268	<a href="#">22352.1010</a>
M12	17	10.07	21.5	24.0	25.7	36	27.0	30.0	49	87.5	21.5	12	6.2	2.5	2.3	M12	250	273	<a href="#">22352.1012</a>
M16	17	13.80	21.5	24.0	25.7	36	27.0	30.0	49	87.5	21.5	12	8.4	4.5	4.2	M16	250	284	<a href="#">22352.1016</a>
M20	22	17.25	30.0	30.0	36.5	52	32.6	36.0	56	114.0	26.0	17	10.0	7.7	5.8	M20	250	519	<a href="#">22352.1020</a>
M24	27	20.70	36.0	36.0	42.0	60	50.6	49.8	82	152.0	36.0	22	23.0	11.1	8.6	M24	250	1187	<a href="#">22352.1024</a>

Application example









## Compliance

### RoHS compliant

Contains lead - compliant according to exceptions 6a / 6b / 6c.

### Contains SVHC substances >0,1% w/w

Contains lead - SVHC list [REACH] as of 27.06.2024.

### Contains Proposition 65 substances



Lead can cause cancer and reproductive harm from exposure  
<https://www.P65Warnings.ca.gov/>

### Free from Conflict Minerals

This product does not contain any substances designated as "conflict minerals" such as tantalum, tin, gold or tungsten from the Democratic Republic of Congo or adjacent countries.