

## Locating Bushings with Seal, plain · for lifting pins

EH 22350.



### Product Description

The seal prevents the penetration of liquid and dirt. The bushing is therefore especially suitable for use in the open air.

Locating bushings are used for quick and safe locating of lifting pins EH 22350 / EH 22351.

This design is suitable for applications which require installation flush to the surface.

A face wrench is required for installation. As an accessory, we offer a standard adjustable face wrench, offset, and a face and socket wrench. In combination with a socket-wrench/screwdriver, the face and socket wrench is especially suitable for use if space is restricted.

Corrosion and abrasion resistant.

### Material

#### Bushing

- Stainless steel 1.4542, precipitation-hardened

#### O-ring

- NBR

#### Spring

- Stainless steel

### Assembly

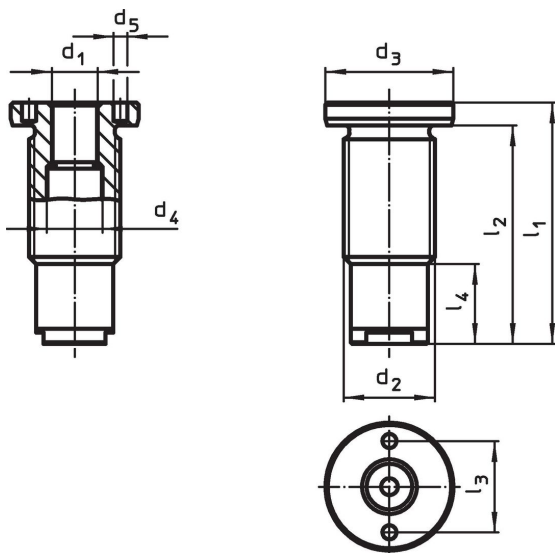
Safe tolerances and consistent function.

Easily incorporated into different materials  
Bush can be easily installed via optional assembly tool.

Can be mounted in blind holes.

For thin-walled parts, lock nuts are used for assembly.




### Drawing



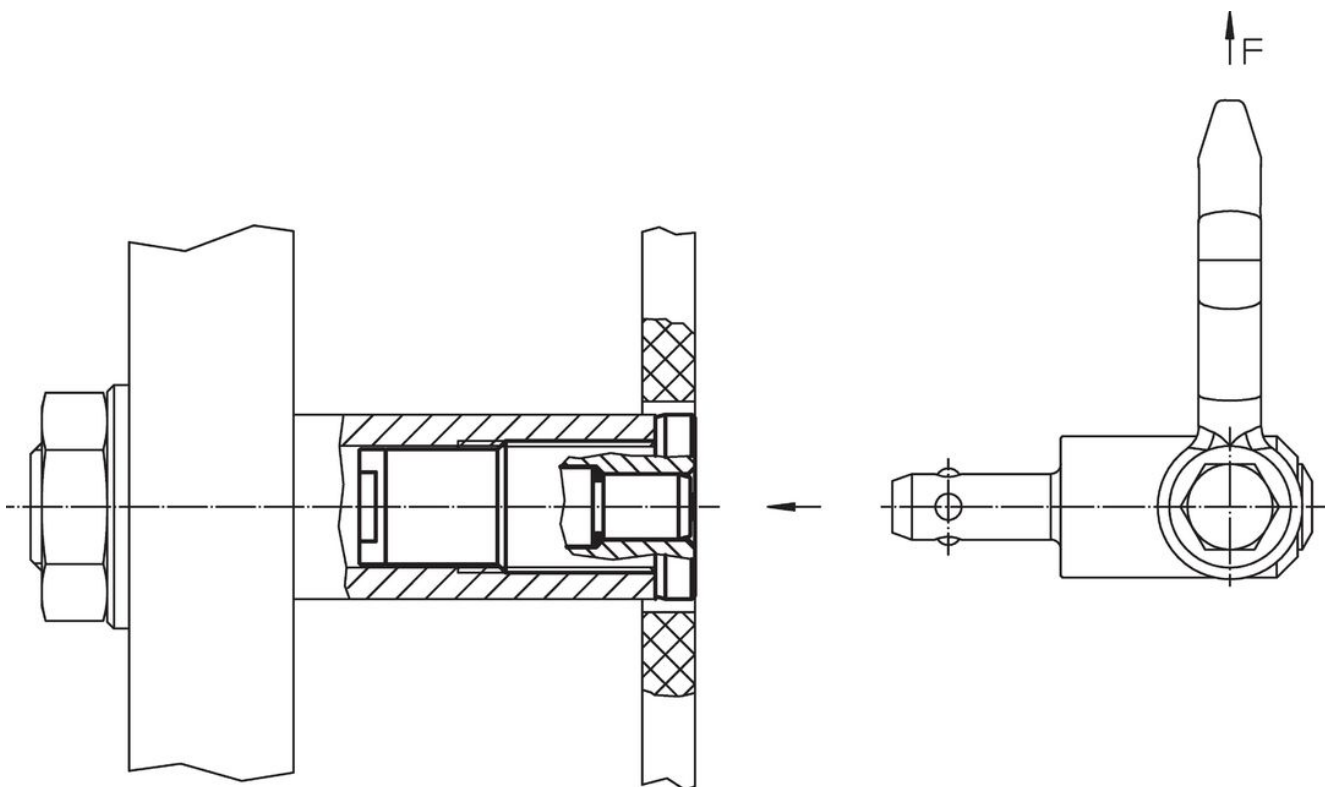
### Order information

Dimensions		For nominal length	Dimensions							Tightening torque max.	x	Load capacity			For lifting pin	Art. No.	
d <sub>1</sub>	d <sub>2</sub>		d <sub>3</sub>	d <sub>4</sub>	d <sub>5</sub>	l <sub>1</sub>	l <sub>2</sub>	l <sub>3</sub>	l <sub>4</sub>			F <sub>1</sub>	F <sub>2</sub>	F <sub>3</sub>			
H11	[mm]	[mm]	-0.2	+0.3	+0.1	[mm]				[Nm]	[mm]	[kN]			[g]		
8	M16 x 1,5	10	24	9.9	3.1	37.5	32.5	16	12.5	75	1.5	1.5	1.2	0.5	22350.0601 / .0701	47	22350.1960
10	M20 x 1,5	15	28	12.3	5.1	51.0	45.0	20	21.0	100	1.5	2.7	2.4	2.1	22350.0621 / .0721	92	22350.1961
12	M24 x 1,5	15	32	14.4	5.1	53.0	47.0	22	21.0	150	1.5	3.5	3.2	2.8	22350.0631 / .0731	125	22350.1962
16	M30 x 2	25	39	19.3	5.1	78.0	72.0	30	33.0	200	1.5	4.8	4.5	4.1	22350.0641 / .0741	253	22350.1963

### Accessories

	Suitable for size $d_1$ [mm]	Pin spacing $\pm 0.1$ [mm]	Pin diameter -0.1 [mm]	Square drive [in]	 [g]	Art. No.
<b>adjustable face wrench, offset</b>						
	8	-	3		121	<a href="#">22350.1990</a>
	10/12/16/20/25	-	5		309	<a href="#">22350.1991</a>
<b>face wrench (socket wrench insert)</b>						
	8	16	3	1/2	116	<a href="#">22350.1995</a>
	10	20	5	1/2	136	<a href="#">22350.1996</a>
	12	22	5	1/2	185	<a href="#">22350.1997</a>
	16/20	30	5	1/2	243	<a href="#">22350.1998</a>

### Application example



### Compliance

For detailed compliance information please select the desired article number.