

Locating Bushings, plain • for lifting pins

EH 22350.



Product Description

Locating bushings are used for quick and safe locating of lifting pins EH 22350 / EH 22351. This design is suitable for applications which require installation flush to the surface. A face wrench is required for installation. As an accessory, we offer a standard adjustable face wrench, offset, and a face and socket wrench. In combination with a socket-wrench/screwdriver, the face and socket wrench is especially suitable for use if space is restricted. Corrosion and abrasion resistant.

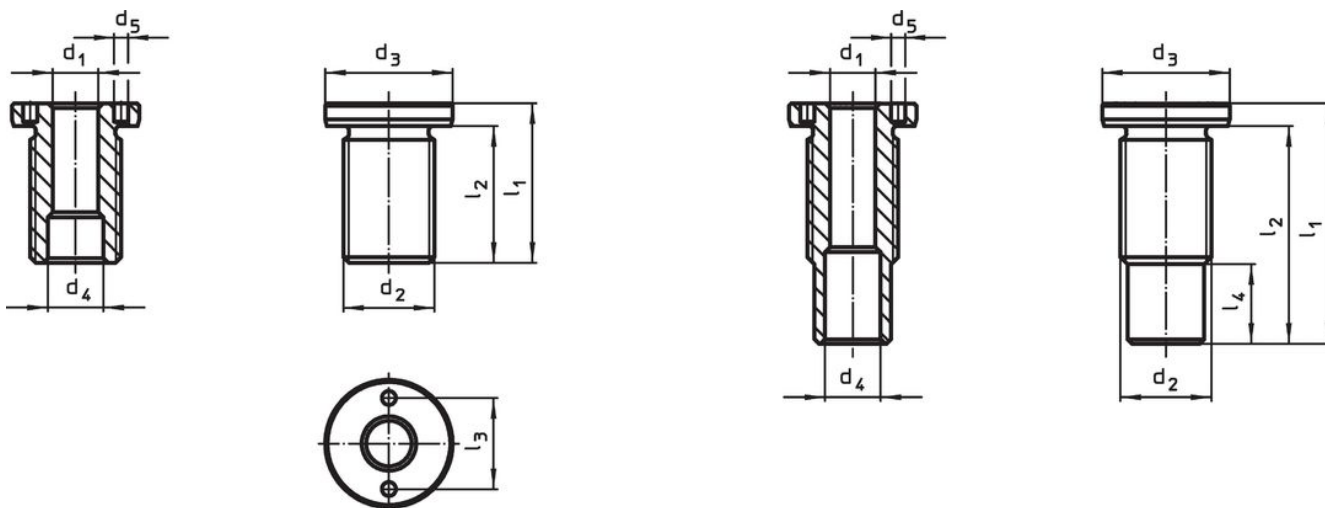
Material

- Stainless steel 1.4542, precipitation-hardened

Assembly

Safe tolerances and consistent function. Easily incorporated into different materials. Bush can be easily installed via optional assembly tool. Can be mounted in blind holes. For thin-walled parts, lock nuts are used for assembly.

Drawing



size M16/M16x1,5/M20
M20x1,5/M24x1,5/M30x2



size M24/M30/M36x2

Order information

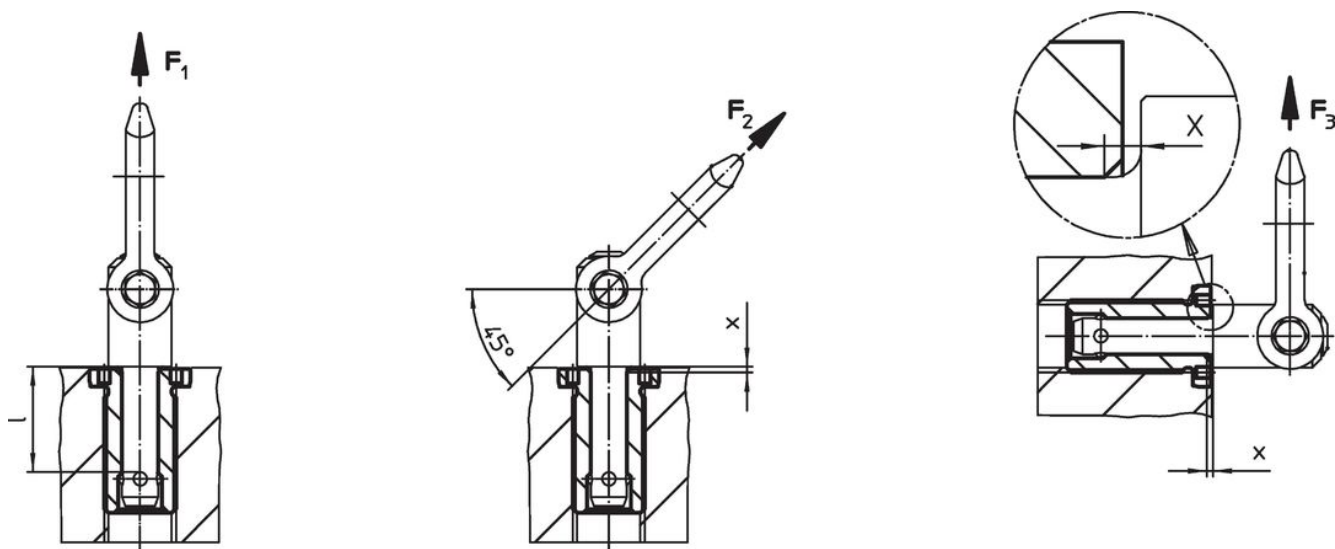
| d ₁ H11 | Dimensions d ₂ [mm] | For nominal length [mm] | Dimensions | | | | | | | Tightening torque max. [Nm] | x [mm] | Load capacity | | | For lifting pin | Art. No. | |
|-----------------------|--------------------------------------|-------------------------------|------------------------|------------------------|------------------------|----------------|----------------|----------------|----------------|--------------------------------------|-----------|----------------|----------------|----------------|--------------------|----------|------------|
| | | | d ₃ -0.2 | d ₄ +0.3 | d ₅ +0.1 | l ₁ | l ₂ | l ₃ | l ₄ | | | F ₁ | F ₂ | F ₃ | | | [g] |
| 8 | M16 x 1,5 | 10 | 24 | 9.8 | 3.1 | 25 | 20 | 16 | – | 75 | 1.5 | 1.5 | 1.2 | 0.5 | 22350.0601 / .0701 | 31 | 22350.1900 |
| 8 | M16 x 1,5 | 15 | 24 | 9.8 | 3.1 | 25 | 20 | 16 | – | 75 | 1.5 | 1.5 | 1.2 | 0.5 | 22350.0602 / .0702 | 32 | 22350.1902 |
| 8 | M16 | 25 | 24 | 9.8 | 3.1 | 35 | 30 | 16 | – | 75 | 1.5 | 1.5 | 1.2 | 0.5 | 22350.0604 / .0704 | 41 | 22350.1904 |
| 8 | M16 | 35 | 24 | 9.8 | 3.1 | 45 | 40 | 16 | – | 75 | 1.5 | 1.5 | 1.2 | 0.5 | 22350.0606 / .0706 | 49 | 22350.1906 |
| 10 | M20 x 1,5 | 15 | 28 | 12.2 | 5.1 | 30 | 24 | 20 | – | 100 | 1.5 | 2.7 | 2.4 | 2.1 | 22350.0621 / .0721 | 55 | 22350.1910 |
| 10 | M20 x 1,5 | 25 | 28 | 12.2 | 5.1 | 35 | 29 | 20 | – | 100 | 1.5 | 2.7 | 2.4 | 2.1 | 22350.0623 / .0723 | 64 | 22350.1912 |
| 10 | M20 | 35 | 28 | 12.2 | 5.1 | 45 | 39 | 20 | – | 100 | 1.5 | 2.7 | 2.4 | 2.1 | 22350.0625 / .0725 | 70 | 22350.1914 |
| 10 | M20 | 50 | 28 | 12.2 | 5.1 | 60 | 54 | 20 | – | 100 | 1.5 | 2.7 | 2.4 | 2.1 | 22350.0627 / .0727 | 93 | 22350.1916 |
| 12 | M24 x 1,5 | 15 | 32 | 14.7 | 5.1 | 32 | 26 | 22 | – | 150 | 1.5 | 3.5 | 3.2 | 2.8 | 22350.0631 / .0731 | 80 | 22350.1920 |
| 12 | M24 x 1,5 | 25 | 32 | 14.7 | 5.1 | 40 | 34 | 22 | – | 150 | 1.5 | 3.5 | 3.2 | 2.8 | 22350.0633 / .0733 | 94 | 22350.1922 |
| 12 | M24 | 35 | 32 | 14.7 | 5.1 | 50 | 44 | 22 | 3.8 | 150 | 1.5 | 3.5 | 3.2 | 2.8 | 22350.0635 / .0735 | 116 | 22350.1924 |
| 12 | M24 | 50 | 32 | 14.7 | 5.1 | 65 | 59 | 22 | 18.8 | 150 | 1.5 | 3.5 | 3.2 | 2.8 | 22350.0637 / .0737 | 130 | 22350.1926 |
| 16 | M30 x 2 | 25 | 39 | 19.2 | 5.1 | 45 | 39 | 30 | – | 200 | 1.5 | 4.8 | 4.5 | 4.1 | 22350.0641 / .0741 | 163 | 22350.1930 |

| Dimensions d ₁ H11 | d ₂ [mm] | For nominal length [mm] | Dimensions | | | | | | | Tightening torque max. [Nm] | x [mm] | Load capacity | | | For lifting pin [g] | Art. No. | |
|-------------------------------------|------------------------|-------------------------------|------------------------|------------------------|------------------------|----------------|----------------|----------------|----------------|--------------------------------------|-----------|----------------|----------------|----------------|------------------------|----------|----------------------------|
| | | | d ₃ -0.2 | d ₄ +0.3 | d ₅ +0.1 | l ₁ | l ₂ | l ₃ | l ₄ | | | F ₁ | F ₂ | F ₃ | | | |
| 16 | M30 | 50 | 39 | 19.2 | 5.1 | 65 | 59 | 30 | 6.0 | 200 | 1.5 | 4.8 | 4.5 | 4.1 | 22350.0643 / .0743 | 201 | 22350.1934 |
| 16 | M30 | 75 | 39 | 19.2 | 5.1 | 90 | 84 | 30 | 31.0 | 200 | 1.5 | 4.8 | 4.5 | 4.1 | 22350.0645 / .0745 | 248 | 22350.1936 |
| 20 | M36 x 2 | 50 | 43 | 26.0 | 5.1 | 70 | 63 | 30 | 3.5 | 200 | 1.5 | 10.0 | 8.5 | 6.5 | 22350.0673 / .0773 | 341 | 22350.1954 |
| 20 | M36 x 2 | 75 | 43 | 26.0 | 5.1 | 95 | 88 | 30 | 28.5 | 200 | 1.5 | 10.0 | 8.5 | 6.5 | 22350.0675 / .0775 | 413 | 22350.1956 |

Accessories

| | Suitable for size d ₁ [mm] | Pin spacing ±0.1 [mm] | Pin diameter -0.1 [mm] | Square drive [in] | [g] | Art. No. |
|--|---|-----------------------------|------------------------------|----------------------|-----|----------------------------|
| adjustable face wrench, offset | | | | | | |
|  | 8 | - | 3 | | 121 | 22350.1990 |
| | 10/12/16/20/25 | - | 5 | | 309 | 22350.1991 |
| face wrench (socket wrench insert) | | | | | | |
|  | 8 | 16 | 3 | 1/2 | 116 | 22350.1995 |
| | 10 | 20 | 5 | 1/2 | 136 | 22350.1996 |
| | 12 | 22 | 5 | 1/2 | 185 | 22350.1997 |
| | 16/20 | 30 | 5 | 1/2 | 243 | 22350.1998 |

Application example



Compliance

For detailed compliance information please select the desired article number.