

Locating Bushings · for lifting pins

EH 22350.



Product Description

Locating bushings are used for quick and safe locating of lifting pins EH 22350 / EH 22351. Corrosion and abrasion resistant.

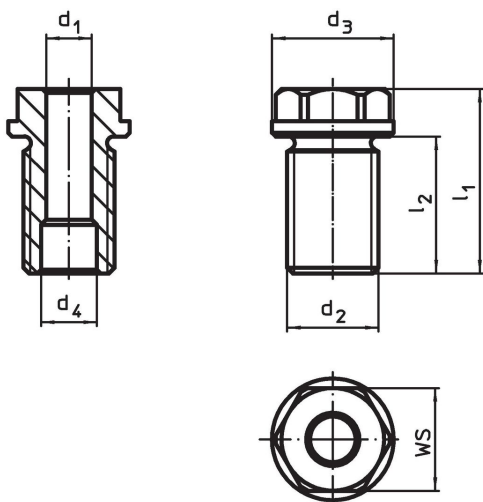
Material

- Stainless steel 1.4542, precipitation-hardened

Assembly

Safe tolerances and consistent function.
Easily incorporated into different materials.
Can be mounted in blind holes.
For thin-walled parts, lock nuts are used for assembly.

Drawing

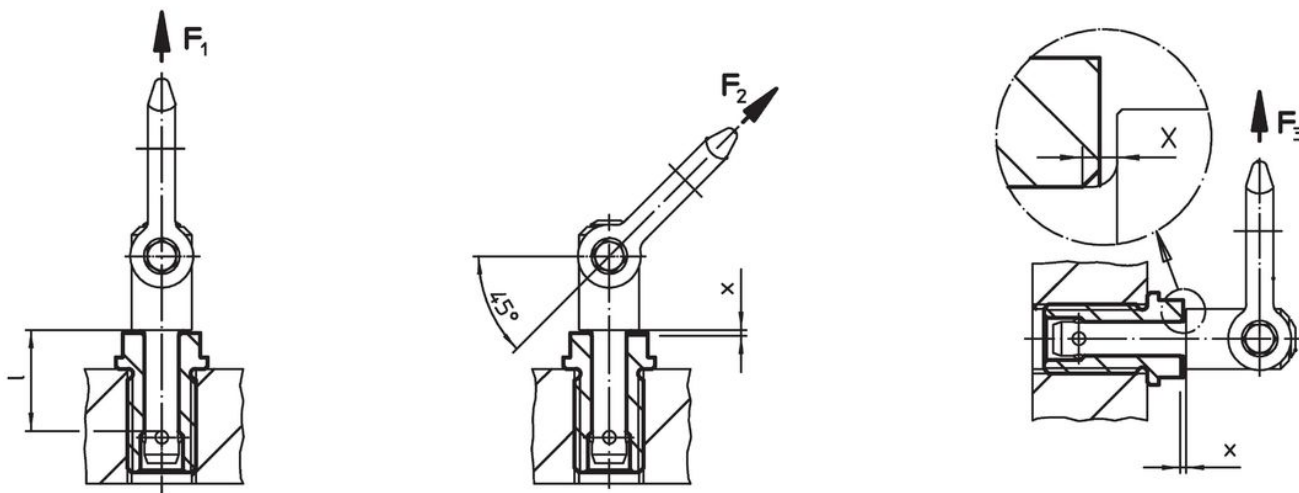


Order information

Dimensions		For nominal length	Dimensions				WS	Tightening torque max.	x	Load capacity			For lifting pin	Art. No.	
d ₁	d ₂		d ₃	d ₄	l ₁	l ₂				F ₁	F ₂	F ₃			
H11	[mm]	[mm]	-0.2	+0.3			[mm]	[Nm]	[mm]	[kN]			[g]		
8	M16 x 1,5	10	24	9.8	27.5	20	19	90	1.5	1.5	1.2	0.5	22350.0601 / .0701	34	22350.0900
8	M16 x 1,5	15	24	9.8	27.5	20	19	90	1.5	1.5	1.2	0.5	22350.0602 / .0702	34	22350.0902
8	M16	25	24	9.8	37.5	25	19	75	1.5	1.5	1.2	0.5	22350.0604 / .0704	47	22350.0904
8	M16	35	24	9.8	47.5	35	19	75	1.5	1.5	1.2	0.5	22350.0606 / .0706	57	22350.0906
10	M20 x 1,5	15	28	12.2	35.5	24	24	145	1.5	2.7	2.4	2.1	22350.0621 / .0721	71	22350.0910
10	M20 x 1,5	25	28	12.2	35.5	24	24	145	1.5	2.7	2.4	2.1	22350.0623 / .0723	74	22350.0912
10	M20	35	28	12.2	46.0	29	24	130	1.5	2.7	2.4	2.1	22350.0625 / .0725	94	22350.0914
10	M20	50	28	12.2	65.0	49	24	130	1.5	2.7	2.4	2.1	22350.0627 / .0727	117	22350.0916
12	M24 x 1,5	15	32	14.7	35.5	24	27	220	1.5	3.5	3.2	2.8	22350.0631 / .0731	95	22350.0920
12	M24 x 1,5	25	32	14.7	36.5	24	27	220	1.5	3.5	3.2	2.8	22350.0633 / .0733	103	22350.0922
12	M24	35	32	14.7	48.5	36	27	200	1.5	3.5	3.2	2.8	22350.0635 / .0735	120	22350.0924
12	M24	50	32	14.7	72.5	60	27	200	1.5	3.5	3.2	2.8	22350.0637 / .0737	164	22350.0926
16	M30 x 2	25	39	19.2	44.0	29	30	440	1.5	4.8	4.5	4.1	22350.0641 / .0741	164	22350.0930

Dimensions		For nominal length	Dimensions				WS	Tightening torque max.	x	Load capacity			For lifting pin	Art. No.	
d ₁	d ₂		d ₃	d ₄	l ₁	l ₂				F ₁	F ₂	F ₃			
H11		[mm]	-0.2	+0.3	[mm]		[mm]	[Nm]	[mm]	[kN]			[g]		
16	M30	50	39	19.2	66.0	44	30	400	1.5	4.8	4.5	4.1	22350.0643 / .0743	238	22350.0934
16	M30	75	39	19.2	96.0	74	30	400	1.5	4.8	4.5	4.1	22350.0645 / .0745	325	22350.0936
20	M36 x 2	50	43	26.0	70.0	55	36	440	1.5	10.0	8.5	6.5	22350.0673 / .0773	353	22350.0954
20	M36 x 2	75	43	26.0	95.0	80	36	440	1.5	10.0	8.5	6.5	22350.0675 / .0775	470	22350.0956

Application example



Compliance

RoHS compliant

Compliant according to Directive 2011/65/EU and Directive 2015/863.

Does not contain SVHC substances

No SVHC substances with more than 0.1% w/w contained - SVHC list [REACH] as of 27.06.2024.

Does not contain Proposition 65 substances

No Proposition 65 substances included.
<https://www.P65Warnings.ca.gov/>

Free from Conflict Minerals

This product does not contain any substances designated as "conflict minerals" such as tantalum, tin, gold or tungsten from the Democratic Republic of Congo or adjacent countries.