

Lifting Pins • self-locking EH 22350.



Product Description

Heavy-duty lifting element for quick and easy use, with moveable shackle and locking stud to provide protection against unintentional unlocking. Special lifting devices, e.g. threads for ring bolts, are no longer required on the workpiece. All versions are corrosion-resistant.

Material

Pin part

- Heat-treated steel, tempered, manganese phosphated

Press button

- Aluminium, red anodised

Shackle

- Heat-treated steel, tempered, manganese phosphated

Spring

- Stainless Steel

Assembly

Simple H11 boreholes are sufficient.

Mounting:

1. Press in the button and hold it down
2. Insert the lifting pin
3. Release the button (The button must be back in its original position)

Dismantling:

1. Press in the button and hold it down.
2. Remove the lifting pin.
3. Release the button.

Operation

Each lifting pin contains an instruction manual with an EC Declaration of Conformity.

More information

Accessories

As accessories, we offer matching locating bushings for $d_1 = 8, 10, 12, 16$ and 20

Further products

- Lifting Pins, self-locking, stainless steel
- Locating Bushings, for lifting pins
- Locating Bushings, plain, for lifting pins
- Locating Bushings with Seal, plain, for lifting pins
- Threaded Lifting Pins, self-locking
- Threaded Lifting Pins, self-locking, for centre holes according to DIN 332
- Threaded Lifting Pins, self-locking, with rotatable shackle
- Threaded Lifting Pins, self-locking - INCH
- Threaded Lifting Pins, self-locking, with rotatable shackle - INCH

Drawing



Order information

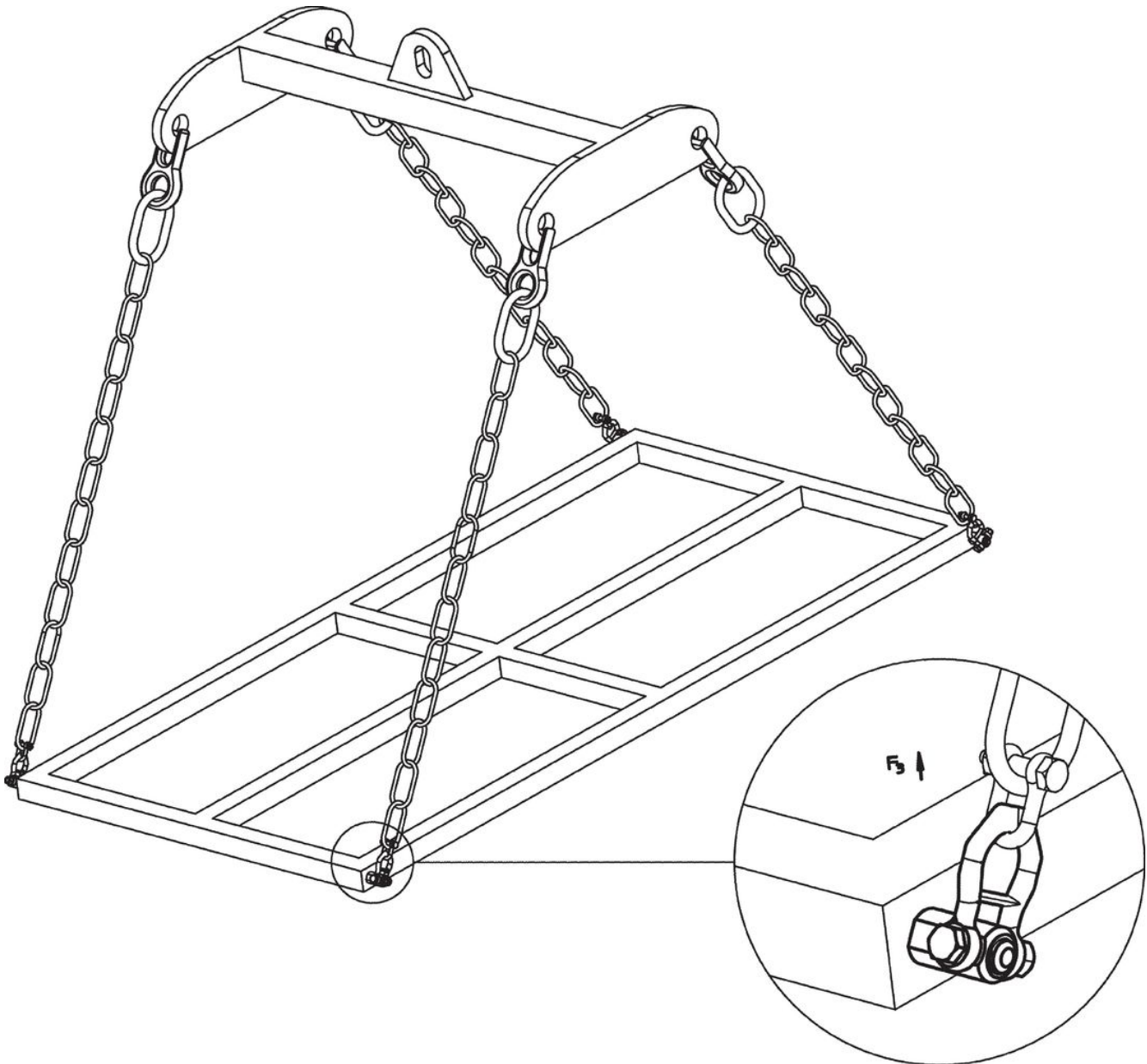
Dimensions													Load capacity according to DIN EN 13155			x		Location hole H11	max.		Art. No.
d_1	l_1	d_2	d_3	d_4	l_2	l_3	l_4	l_5	l_6	l_7	l_8	l_9	F_1	F_2	F_3	min.	max.	[mm]	[°C]	[g]	
-0.04	+0.6			min.	± 0.5																
-0.08																					
[mm]													[kN]			[mm]		[mm]	[°C]	[g]	
8.0	10	9.35	21.5	9.85	8.75	25.7	36.0	27.0	30	49	87.5	21.5	1.5	1.2	0.5	1.5	5	8.0	250	266	22350.0601
8.0	15	9.35	21.5	9.85	8.75	25.7	36.0	27.0	30	49	87.5	21.5	1.5	1.2	0.5	1.5	10	8.0	250	269	22350.0602
8.0	25	9.35	21.5	9.85	8.75	25.7	36.0	27.0	30	49	87.5	21.5	1.5	1.2	0.5	1.5	15	8.0	250	270	22350.0604
8.0	35	9.35	21.5	9.85	8.75	25.7	36.0	27.0	30	49	87.5	21.5	1.5	1.2	0.5	1.5	15	8.0	250	278	22350.0606
8.3	10	9.65	21.5	10.05	8.75	25.7	36.0	27.0	30	49	87.5	21.5	1.5	1.2	0.5	1.5	5	8.3	250	266	22350.0611
8.3	15	9.65	21.5	10.05	8.75	25.7	36.0	27.0	30	49	87.5	21.5	1.5	1.2	0.5	1.5	10	8.3	250	266	22350.0612
8.3	25	9.65	21.5	10.05	8.75	25.7	36.0	27.0	30	49	87.5	21.5	1.5	1.2	0.5	1.5	15	8.3	250	273	22350.0614
8.3	35	9.65	21.5	10.05	8.75	25.7	36.0	27.0	30	49	87.5	21.5	1.5	1.2	0.5	1.5	15	8.3	250	235	22350.0616
10.0	15	11.70	21.5	12.20	10.20	25.7	36.0	27.0	30	49	87.5	21.5	2.7	2.4	2.1	1.5	10	10.0	250	277	22350.0621
10.0	25	11.70	21.5	12.20	10.20	25.7	36.0	27.0	30	49	87.5	21.5	2.7	2.4	2.1	1.5	10	10.0	250	277	22350.0623
10.0	35	11.70	21.5	12.20	10.20	25.7	36.0	27.0	30	49	87.5	21.5	2.7	2.4	2.1	1.5	10	10.0	250	299	22350.0625
10.0	50	11.70	21.5	12.20	10.20	25.7	36.0	27.0	30	49	87.5	21.5	2.7	2.4	2.1	1.5	10	10.0	250	291	22350.0627
12.0	15	14.20	21.5	14.70	11.00	25.7	36.0	27.0	30	49	87.5	21.5	3.5	3.2	2.8	1.5	10	12.0	250	282	22350.0631
12.0	25	14.20	21.5	14.70	11.00	25.7	36.0	27.0	30	49	87.5	21.5	3.5	3.2	2.8	1.5	15	12.0	250	289	22350.0633
12.0	35	14.20	21.5	14.70	11.00	25.7	36.0	27.0	30	49	87.5	21.5	3.5	3.2	2.8	1.5	15	12.0	250	299	22350.0635
12.0	50	14.20	21.5	14.70	11.00	25.7	36.0	27.0	30	49	87.5	21.5	3.5	3.2	2.8	1.5	15	12.0	250	309	22350.0637
13.8	25	16.20	21.5	16.70	13.00	25.7	36.0	27.0	30	49	87.5	21.5	3.8	3.5	2.8	1.5	15	13.8	250	302	22350.0651
13.8	50	16.20	21.5	16.70	13.00	25.7	36.0	27.0	30	49	87.5	21.5	3.8	3.5	2.8	1.5	35	13.8	250	360	22350.0653
13.8	75	16.20	21.5	16.70	13.00	25.7	36.0	27.0	30	49	87.5	21.5	3.8	3.5	2.8	1.5	35	13.8	250	391	22350.0655
16.0	25	18.60	25.0	19.20	15.10	31.0	44.5	27.0	30	49	92.8	21.5	4.8	4.5	4.1	1.5	15	16.0	250	385	22350.0641
16.0	50	18.60	25.0	19.20	15.10	31.0	44.5	27.0	30	49	92.8	21.5	4.8	4.5	4.1	1.5	35	16.0	250	424	22350.0643
16.0	75	18.60	25.0	19.20	15.10	31.0	44.5	27.0	30	49	92.8	21.5	4.8	4.5	4.1	1.5	40	16.0	250	467	22350.0645
20.0	50	24.50	30.0	25.20	19.70	36.5	52.0	32.6	36	56	114.0	26.0	10.0	8.5	6.5	1.5	25	20.0	250	709	22350.0673
20.0	75	24.50	30.0	25.20	19.70	36.5	52.0	32.6	36	56	114.0	26.0	10.0	8.5	6.5	1.5	30	20.0	250	776	22350.0675

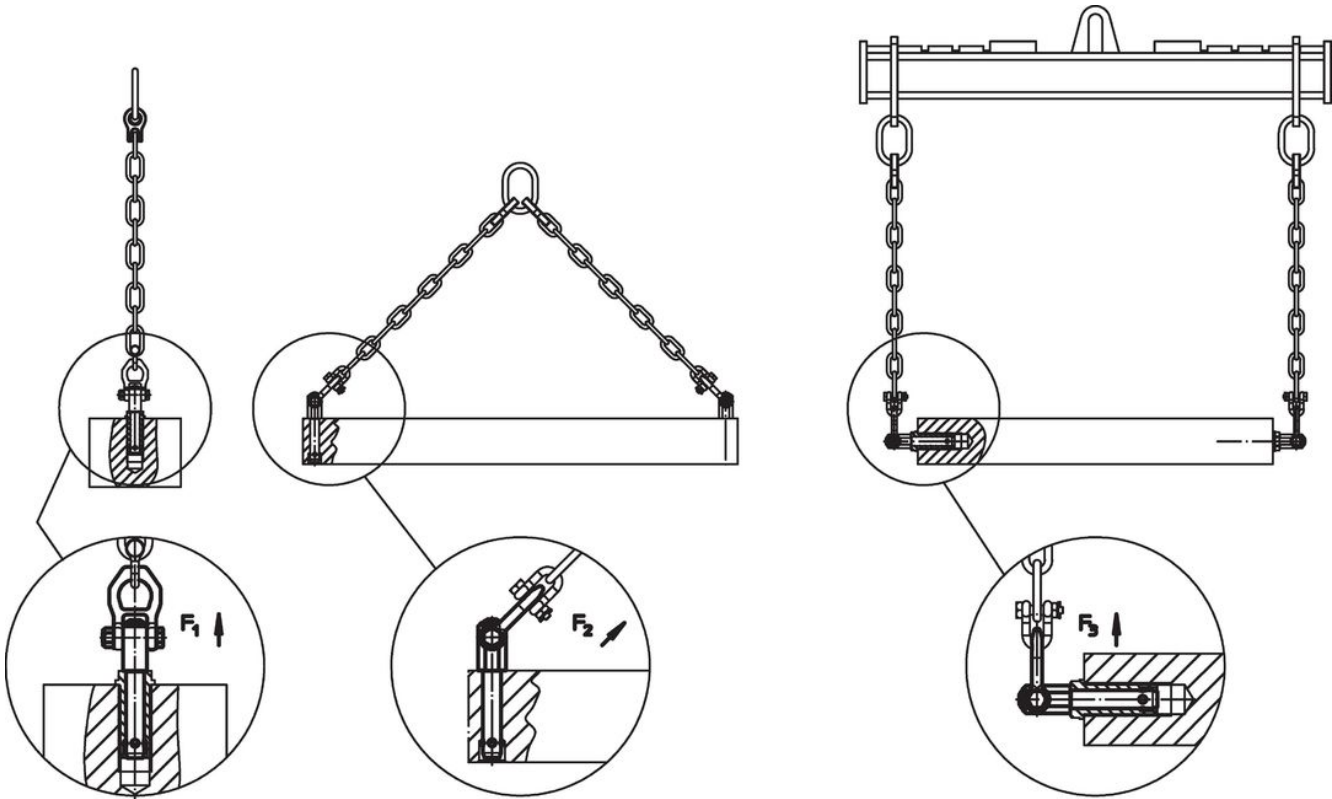
Application example











Compliance

RoHS compliant

Contains lead - compliant according to exceptions 6a / 6b / 6c.

Contains SVHC substances >0,1% w/w

Contains lead - SVHC list [REACH] as of 27.06.2024.

Contains Proposition 65 substances



Lead can cause cancer and reproductive harm from exposure
<https://www.P65Warnings.ca.gov/>

Free from Conflict Minerals

This product does not contain any substances designated as "conflict minerals" such as tantalum, tin, gold or tungsten from the Democratic Republic of Congo or adjacent countries.