

Spring Push Plungers · with mounting flange, horizontal EH 22170.

Product Description



The spring push plungers are used for simple and secure positioning of workpieces or components on stops and support points.

The spring push plunger is designed with a thrust pad that can be rotated 4 x 90° depending on the application.

Below h_2 , a pull-down effect is created when the thrust pad is installed in the appropriate position.

Material

Body

- Zinc die-cast, plastic coated, black, similar to RAL 9005, matt structure

Thrust Pad

- Stainless steel 1.4542
- Thermoplastic POM, black

Screw

- Stainless steel A2

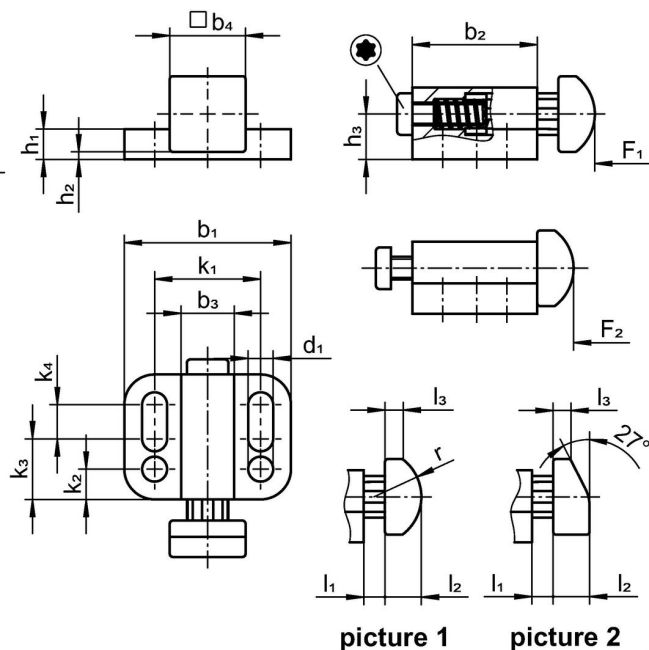
Spring

- Stainless steel 1.4310

Assembly

Assembly by means of washers ISO 7092.



Drawing



Order information

Dimensions																Stroke s		Spring load ¹⁾			Art. No.
b ₁	d ₁	b ₂	b ₃	b ₄	h ₁	h ₂	h ₃	k ₁	k ₂	k ₃	k ₄	l ₁	l ₂	l ₃	r	[mm]		F ₁	F ₂	[g]	
[mm]																[mm]		[N]	[g]		
plunger rounded, standard spring load – picture 1, Stainless steel																					
22	3.3	16.5	7.0	10	4	1	6	14	4.0	8	4.5	2.8	4.8	2.4	6.25	2.8	10	8	11	12	22170.0005
32	5.4	27.5	10.0	16	5	1	9	21	5.5	12	10.0	5.0	7.0	3.1	10.00	5.0	20	8	19	39	22170.0010
39	6.5	35.0	14.5	22	6	1	12	27	6.5	15	13.5	8.2	10.0	4.7	13.75	8.2	30	17	33	93	22170.0015
plunger rounded, reinforced spring load – picture 1, Stainless steel																					
22	3.3	16.5	7.0	10	4	1	6	14	4.0	8	4.5	2.8	4.8	2.4	6.25	2.8	10	11	20	13	22170.1005
32	5.4	27.5	10.0	16	5	1	9	21	5.5	12	10.0	5.0	7.0	3.1	10.00	5.0	20	19	45	40	22170.1010
39	6.5	35.0	14.5	22	6	1	12	27	6.5	15	13.5	8.2	10.0	4.7	13.75	8.2	30	27	75	96	22170.1015

¹⁾ statistical average value

Dimensions																Stroke s ~		Spring load ¹⁾			Art. No.				
b ₁	d ₁	b ₂	b ₃	b ₄	h ₁	h ₂ +0.5	h ₃	k ₁	k ₂	k ₃	k ₄	l ₁	l ₂	l ₃	r			[mm]	F ₁			F ₂	[N]	[g]	
[mm]																						[mm]			
plunger wedge-shaped, standard spring load – picture 2, Stainless steel																									
22	3.3	16.5	7.0	10	4	1	6	14	4.0	8	4.5	2.8	4.8	2.4	–	2.8	10	8	11	12	22170.0105				
32	5.4	27.5	10.0	16	5	1	9	21	5.5	12	10.0	5.0	7.0	3.1	–	5.0	20	8	19	39	22170.0110				
39	6.5	35.0	14.5	22	6	1	12	27	6.5	15	13.5	8.2	10.0	4.7	–	8.2	30	17	33	93	22170.0115				
plunger wedge-shaped, reinforced spring load – picture 2, Stainless steel																									
22	3.3	16.5	7.0	10	4	1	6	14	4.0	8	4.5	2.8	4.8	2.4	–	2.8	10	11	20	13	22170.1105				
32	5.4	27.5	10.0	16	5	1	9	21	5.5	12	10.0	5.0	7.0	3.1	–	5.0	20	19	45	40	22170.1110				
39	6.5	35.0	14.5	22	6	1	12	27	6.5	15	13.5	8.2	10.0	4.7	–	8.2	30	27	75	94	22170.1115				
plunger rounded, smooth from thermoplastic, standard spring load – picture 1, Thermoplastic POM, black																									
22	3.3	16.5	7.0	10	4	1	6	14	4.0	8	4.5	2.8	4.8	2.4	6.25	2.8	10	8	11	11	22170.0505				
32	5.4	27.5	10.0	16	5	1	9	21	5.5	12	10.0	5.0	7.0	3.1	10.00	5.0	20	8	19	32	22170.0510				
39	6.5	35.0	14.5	22	6	1	12	27	6.5	15	13.5	8.2	10.0	4.7	13.75	8.2	30	17	33	69	22170.0515				
plunger rounded, smooth from thermoplastic, reinforced spring load – picture 1, Thermoplastic POM, black																									
22	3.3	16.5	7.0	10	4	1	6	14	4.0	8	4.5	2.8	4.8	2.4	6.25	2.8	10	11	20	12	22170.1505				
32	5.4	27.5	10.0	16	5	1	9	21	5.5	12	10.0	5.0	7.0	3.1	10.00	5.0	20	19	45	32	22170.1510				
39	6.5	35.0	14.5	22	6	1	12	27	6.5	15	13.5	8.2	10.0	4.7	13.75	8.2	30	27	75	71	22170.1515				
plunger wedge-shaped, smooth from thermoplastic, standard spring load – picture 2, Thermoplastic POM, black																									
22	3.3	16.5	7.0	10	4	1	6	14	4.0	8	4.5	2.8	4.8	2.4	–	2.8	10	8	11	13	22170.0605				
32	5.4	27.5	10.0	16	5	1	9	21	5.5	12	10.0	5.0	7.0	3.1	–	5.0	20	8	19	32	22170.0610				
39	6.5	35.0	14.5	22	6	1	12	27	6.5	15	13.5	8.2	10.0	4.7	–	8.2	30	17	33	69	22170.0615				
plunger wedge-shaped, smooth from thermoplastic, reinforced spring load – picture 2, Thermoplastic POM, black																									
22	3.3	16.5	7.0	10	4	1	6	14	4.0	8	4.5	2.8	4.8	2.4	–	2.8	10	11	20	14	22170.1605				
32	5.4	27.5	10.0	16	5	1	9	21	5.5	12	10.0	5.0	7.0	3.1	–	5.0	20	19	45	32	22170.1610				
39	6.5	35.0	14.5	22	6	1	12	27	6.5	15	13.5	8.2	10.0	4.7	–	8.2	30	27	75	71	22170.1615				

¹⁾ statistical average value

Compliance

RoHS compliant

Compliant according to Directive 2011/65/EU and Directive 2015/863.

Does not contain SVHC substances

No SVHC substances with more than 0.1% w/w contained - SVHC list [REACH] as of 23.01.2024.

Does not contain Proposition 65 substances

No Proposition 65 substances included.

<https://www.P65Warnings.ca.gov/>

Free from Conflict Minerals

This product does not contain any substances designated as "conflict minerals" such as tantalum, tin, gold or tungsten from the Democratic Republic of Congo or adjacent countries.