

## Lateral Plungers · with thread, without seal, with female thread

### EH 22150.



#### Product Description

To be used for positioning and applying pressure, e.g. during painting and sandblasting.

#### Material

##### Body

- Steel, zinc-plated

##### Threaded washer

- Steel, blackened

##### Spring

- Stainless steel
- Steel, blackened
- Steel, zinc-plated by galvanization

#### Assembly

Formula for calculating the center distance for the mounting hole:

$$l_0 = z/2 + w + x,$$

$l_0$  = center distance,

$y$  = workpiece height,

$w$  = workpiece length,

$x$  = stroke,

$z$  = stop diameter

Calculation dimension  $x$  for workpieces:

$$x = d_2/2 - s$$

Lateral plungers are installed by screwing in by means of a mounting tool.

#### Characteristic

Version light spring load = spring from stainless steel

Version standard spring load = spring from steel, blackened

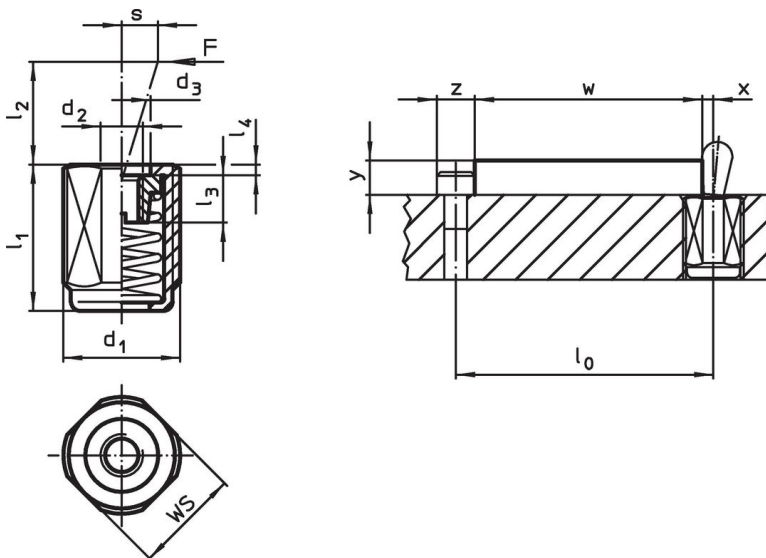
Version heavy spring load = spring from steel, zinc-plated by galvanization

#### More information

#### Notes

Individual set screws can be screwed in the plate with threaded hole.

#### Drawing




Order information

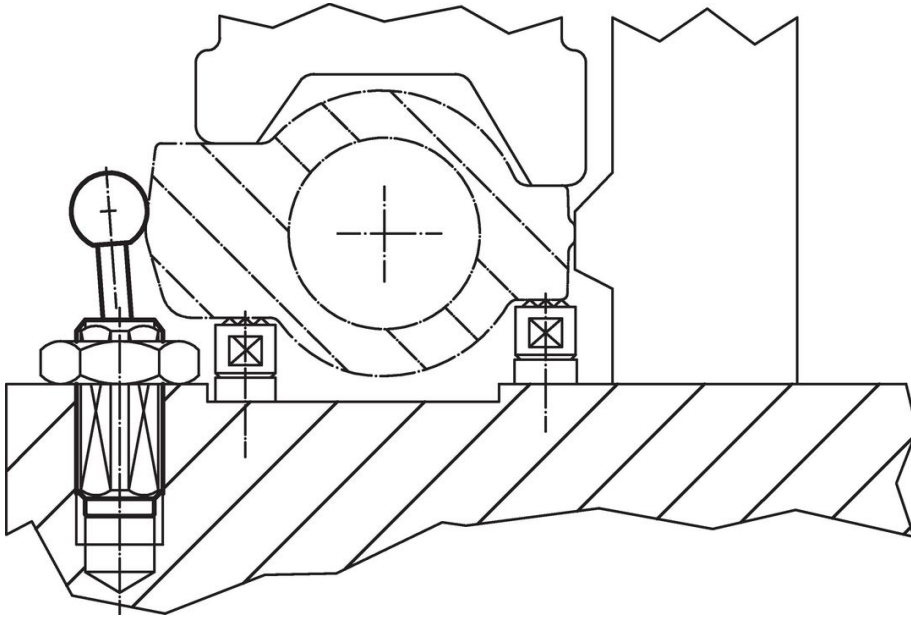
| Dimensions                  |                      | Spring load<br>F<br>max. <sup>1)</sup><br>~<br>[N] | d <sub>2</sub> | d <sub>3</sub> | Dimensions     |                |                | Stroke<br>s<br>[mm] | WS<br>[mm] | 🌡️<br>max.<br>[°C] | 🏋️<br>[g] | Art. No.                   |
|-----------------------------|----------------------|--|----------------|----------------|----------------|----------------|----------------|---------------------|------------|--------------------|-----------|----------------------------|
| d <sub>1</sub><br>[mm]      | l <sub>1</sub><br>-2 |  |                |                | l <sub>2</sub> | l <sub>3</sub> | l <sub>4</sub> |                     |            |                    |           |                            |
| <b>Light spring load</b>    |                      |  |                |                |                |                |                |                     |            |                    |           |                            |
| M12                         | 11.5                 | 20   | M4             | 6.1            | 6.7            | 4.5            | 1.5            | 0.8                 | 10         | 250                | 3.2       | <a href="#">22150.1310</a> |
| M12                         | 19.0                 | 20   | M4             | 6.1            | 6.7            | 4.5            | 1.5            | 0.8                 | 10         | 250                | 5.1       | <a href="#">22150.1314</a> |
| M12                         | 26.5                 | 20   | M4             | 6.1            | 6.7            | 4.5            | 1.5            | 0.8                 | 10         | 250                | 6.9       | <a href="#">22150.1318</a> |
| M12                         | 11.5                 | 40   | M4             | 6.1            | 10.7           | 4.5            | 1.5            | 1.0                 | 10         | 250                | 3.3       | <a href="#">22150.1330</a> |
| M12                         | 19.0                 | 40   | M4             | 6.1            | 10.7           | 4.5            | 1.5            | 1.0                 | 10         | 250                | 5.2       | <a href="#">22150.1334</a> |
| M12                         | 26.5                 | 40   | M4             | 6.1            | 10.7           | 4.5            | 1.5            | 1.0                 | 10         | 250                | 6.9       | <a href="#">22150.1338</a> |
| M18 x 1,5                   | 18.0                 | 100  | M6             | 10.1           | 16.7           | 7.5            | 1.5            | 1.6                 | 16         | 250                | 15.0      | <a href="#">22150.1350</a> |
| M18 x 1,5                   | 31.5                 | 100  | M6             | 10.1           | 16.7           | 7.5            | 1.5            | 1.6                 | 16         | 250                | 23.0      | <a href="#">22150.1354</a> |
| M18 x 1,5                   | 45.0                 | 100  | M6             | 10.1           | 16.7           | 7.5            | 1.5            | 1.6                 | 16         | 250                | 32.0      | <a href="#">22150.1358</a> |
| <b>Standard spring load</b> |                      |  |                |                |                |                |                |                     |            |                    |           |                            |
| M12                         | 11.5                 | 50   | M4             | 6.1            | 6.7            | 4.5            | 1.5            | 0.8                 | 10         | 250                | 3.5       | <a href="#">22150.1311</a> |
| M12                         | 19.0                 | 50   | M4             | 6.1            | 6.7            | 4.5            | 1.5            | 0.8                 | 10         | 250                | 5.6       | <a href="#">22150.1315</a> |
| M12                         | 26.5                 | 50   | M4             | 6.1            | 6.7            | 4.5            | 1.5            | 0.8                 | 10         | 250                | 7.5       | <a href="#">22150.1319</a> |
| M12                         | 11.5                 | 75   | M4             | 6.1            | 10.7           | 4.5            | 1.5            | 1.0                 | 10         | 250                | 3.5       | <a href="#">22150.1331</a> |
| M12                         | 19.0                 | 75   | M4             | 6.1            | 10.7           | 4.5            | 1.5            | 1.0                 | 10         | 250                | 5.6       | <a href="#">22150.1335</a> |
| M12                         | 26.5                 | 75   | M4             | 6.1            | 10.7           | 4.5            | 1.5            | 1.0                 | 10         | 250                | 7.7       | <a href="#">22150.1339</a> |
| M18 x 1,5                   | 18.0                 | 150  | M6             | 10.1           | 16.7           | 7.5            | 1.5            | 1.6                 | 16         | 250                | 15.0      | <a href="#">22150.1351</a> |
| M18 x 1,5                   | 31.5                 | 150  | M6             | 10.1           | 16.7           | 7.5            | 1.5            | 1.6                 | 16         | 250                | 23.0      | <a href="#">22150.1355</a> |
| M18 x 1,5                   | 45.0                 | 150  | M6             | 10.1           | 16.7           | 7.5            | 1.5            | 1.6                 | 16         | 250                | 32.0      | <a href="#">22150.1359</a> |
| <b>Heavy spring load</b>    |                      |  |                |                |                |                |                |                     |            |                    |           |                            |
| M12                         | 11.5                 | 100  | M4             | 6.1            | 6.7            | 4.5            | 1.5            | 0.8                 | 10         | 250                | 3.7       | <a href="#">22150.1312</a> |
| M12                         | 19.0                 | 100  | M4             | 6.1            | 6.7            | 4.5            | 1.5            | 0.8                 | 10         | 250                | 6.0       | <a href="#">22150.1316</a> |
| M12                         | 26.5                 | 100  | M4             | 6.1            | 6.7            | 4.5            | 1.5            | 0.8                 | 10         | 250                | 8.2       | <a href="#">22150.1320</a> |
| M12                         | 11.5                 | 100  | M4             | 6.1            | 10.7           | 4.5            | 1.5            | 1.0                 | 10         | 250                | 3.9       | <a href="#">22150.1332</a> |
| M12                         | 19.0                 | 100  | M4             | 6.1            | 10.7           | 4.5            | 1.5            | 1.0                 | 10         | 250                | 6.5       | <a href="#">22150.1336</a> |
| M12                         | 26.5                 | 100  | M4             | 6.1            | 10.7           | 4.5            | 1.5            | 1.0                 | 10         | 250                | 8.6       | <a href="#">22150.1340</a> |
| M18 x 1,5                   | 18.0                 | 200  | M6             | 10.1           | 16.7           | 7.5            | 1.5            | 1.6                 | 16         | 250                | 14.0      | <a href="#">22150.1352</a> |
| M18 x 1,5                   | 31.5                 | 200  | M6             | 10.1           | 16.7           | 7.5            | 1.5            | 1.6                 | 16         | 250                | 24.0      | <a href="#">22150.1356</a> |
| M18 x 1,5                   | 45.0                 | 200  | M6             | 10.1           | 16.7           | 7.5            | 1.5            | 1.6                 | 16         | 250                | 34.0      | <a href="#">22150.1360</a> |

<sup>1)</sup> statistical average value

Accessories

|  | Dimensions<br>d <sub>1</sub><br>[mm] | 🏋️<br>[g] | Art. No.                   |
|--|--------------------------------------|-----------|----------------------------|
| <b>assembly tool</b>   |                                      |           |                            |
|  | M12                                  | 76        | <a href="#">22150.0820</a> |
|  | M18 x 1,5                            | 137       | <a href="#">22150.0822</a> |

Application example



Compliance

For detailed compliance information please select the desired article number.