

Lateral Plungers • with plastic spring and pin

EH 22150.



Product Description

To be used for positioning and applying pressure, e.g. during painting and sandblasting.

Material

Spring

- plastic

Pin

- Steel, case-hardened, blackened
- Stainless steel
- Thermoplastic POM, white

Assembly

It is recommended to moisten the body.
Installation by pressing in.

Formula for calculating the center distance for the mounting hole:

$$l_0 = z/2 + w + x,$$

l_0 = center distance,

y = workpiece height,

w = workpiece length,

x = coordinate dimension,

s = stroke,

z = stop diameter

Calculation dimension x :

y greater than or equal to $l_2 - d_2/2$,

then $x = d_2/2 - s$

or

y smaller than $l_2 - d_2/2$,

then $x = d_2/2 - s - [(l_2 - d_2/2 - y) * 0,123]$

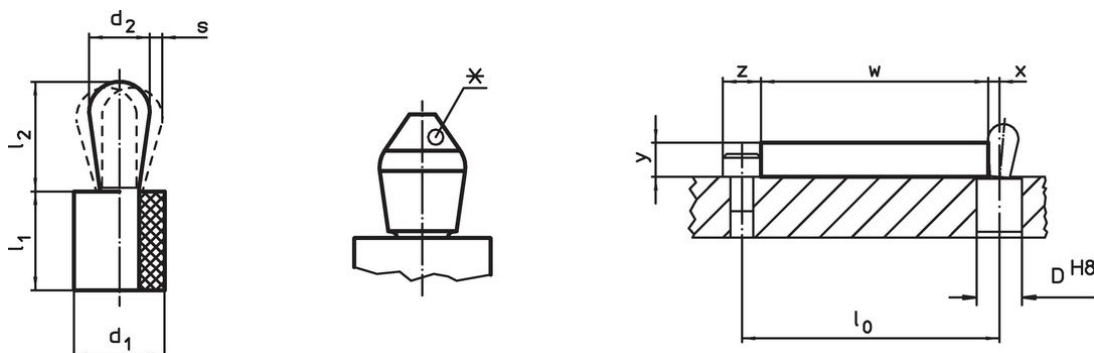
Characteristic

Version light spring load = blue spring

Version standard spring load = red spring

Version heavy spring load = green spring

Drawing



*some sizes (see chart) have a deviating pin shape


Order information

Dimensions		Spring load F max. ¹⁾ ~ [N]	Dimensions		Stroke s [mm]	Location hole D H8 [mm]	$x^2)$ [mm]	max. [°C]	[g]	Art. No.
d_1 [mm]	d_2 [mm]		l_1 -1 [mm]	l_2 ± 0.5 [mm]						
Pin: Steel/pin from steel, light spring load										
6	3	10	7	3.7	0.2	5.9	1.0	100	0.5	22150.0200 ³⁾
8	4	15	9	5.2	0.3	7.9	1.4	100	1.2	22150.0202
10	5	30	9	7.3	0.4	9.9	1.6	100	2.1	22150.0204
10	6	20	9	10.3	0.5	9.9	1.9	100	2.9	22150.0207

¹⁾ statistical average value

²⁾ If the workpiece height (y) is less than $l_2 - d_2/2$, the coordinate dimension (x) must be calculated.

³⁾ deviating pin shape (see drawing)



Dimensions		Spring load F max. ¹⁾ ~	Dimensions		Stroke s	Location hole D H8	x ²⁾	max. [°C]		Art. No.
d ₁	d ₂		l ₁ -1	l ₂ ±0.5						
[mm]	[mm]	[N]	[mm]	[mm]	[mm]	[mm]	[mm]	[°C]	[g]	
Pin: Steel/pin from steel, standard spring load										
6	3	20	7	3.7	0.2	5.9	1.0	100	0.5	22150.0201 ³⁾
8	4	30	9	5.2	0.3	7.9	1.4	100	1.2	22150.0203
10	5	60	9	7.3	0.4	9.9	1.6	100	2.1	22150.0205
10	6	30	9	10.3	0.5	9.9	1.9	100	2.9	22150.0208
12	8	50	13	13.3	0.6	11.9	2.7	100	6.8	22150.0211
16	10	80	16	16.9	0.8	15.9	3.4	100	14.0	22150.0213
Pin: Steel/pin from steel, heavy spring load										
10	5	90	9	7.3	0.4	9.9	1.6	100	2.1	22150.0206
10	6	60	9	10.3	0.5	9.9	1.9	100	2.9	22150.0209
12	8	100	13	13.3	0.6	11.9	2.7	100	6.8	22150.0212
16	10	160	16	16.9	0.8	15.9	3.4	100	15.0	22150.0214
Pin: Stainless steel/pin from stainless steel, light spring load										
6	3	10	7	3.7	0.2	5.9	1.0	100	0.5	22150.0215 ³⁾
8	4	15	9	5.2	0.3	7.9	1.4	100	1.2	22150.0217
10	5	30	9	7.3	0.4	9.9	1.6	100	2.1	22150.0219
10	6	20	9	10.3	0.5	9.9	1.9	100	2.9	22150.0222
Pin: Stainless steel/pin from stainless steel, standard spring load										
6	3	20	7	3.7	0.2	5.9	1.0	100	0.5	22150.0216 ³⁾
8	4	30	9	5.2	0.3	7.9	1.4	100	1.2	22150.0218
10	5	60	9	7.3	0.4	9.9	1.6	100	2.1	22150.0220
10	6	30	9	10.3	0.5	9.9	1.9	100	2.9	22150.0223
12	8	50	13	13.3	0.6	11.9	2.7	100	6.8	22150.0226
16	10	80	16	16.9	0.8	15.9	3.4	100	15.0	22150.0228
Pin: Stainless steel/pin from stainless steel, heavy spring load										
10	5	90	9	7.3	0.4	9.9	1.6	100	2.1	22150.0221
10	6	60	9	10.3	0.5	9.9	1.9	100	2.9	22150.0224
12	8	100	13	13.2	0.6	11.9	2.7	100	6.8	22150.0227
16	10	160	16	16.6	0.8	15.9	3.4	100	15.0	22150.0229
Pin: Thermoplastic/pin from thermoplastic, light spring load										
6	3	10	7	3.7	0.2	5.9	1.0	80	0.3	22150.0230 ³⁾
8	4	15	9	5.2	0.3	7.9	1.4	80	0.6	22150.0232
10	5	30	9	7.3	0.4	9.9	1.6	80	1.0	22150.0234
10	6	20	9	10.3	0.5	9.9	1.9	80	1.1	22150.0237
Pin: Thermoplastic/pin from thermoplastic, standard spring load										
6	3	20	7	3.7	0.2	5.9	1.0	80	0.3	22150.0231 ³⁾
8	4	30	9	5.2	0.3	7.9	1.4	80	0.6	22150.0233
10	5	60	9	7.3	0.4	9.9	1.6	80	1.0	22150.0235
10	6	30	9	10.3	0.5	9.9	1.9	80	1.1	22150.0238
12	8	50	13	13.3	0.6	11.9	2.7	80	2.3	22150.0240
16	10	80	16	16.9	0.8	15.9	3.4	80	4.9	22150.0242
Pin: Thermoplastic/pin from thermoplastic, heavy spring load										
10	5	90	9	7.3	0.4	9.9	1.6	80	1.0	22150.0236
10	6	60	9	10.3	0.5	9.9	1.9	80	1.1	22150.0239
12	8	100	13	13.3	0.6	11.9	2.7	80	2.3	22150.0241
16	10	160	16	16.9	0.8	15.9	3.4	80	5.1	22150.0243

¹⁾ statistical average value

²⁾ If the workpiece height (y) is less than l₂-d₂/2, the coordinate dimension (x) must be calculated.

³⁾ deviating pin shape (see drawing)

Accessories

	Dimensions d ₁ [mm]	 [g]	Art. No.
assembly tool			
	6	23	22150.0840
	8	47	22150.0841
	10	46	22150.0842
	12	96	22150.0843
	16	145	22150.0844

Compliance

For detailed compliance information please select the desired article number.