

Precision Index Plungers · with tapered pin

EH 22130.



Product Description

Precision index plungers together with bushings are a perfect combination for quick positioning and mounting.

The precise tolerance of both, the precision index plunger and the bushing, guarantees a high repeatability of these two elements.

Material

Pin

- Case-hardened steel, case-hardened, blackened and ground

Bushing

- Case-hardened steel, case-hardened, blackened and ground

Body

- Case-hardened steel, case-hardened, blackened and ground

Ball knob

- Thermoplastic, greyish black

Assembly

For precise adjustment, the grip ball and plunger should be glued grease-free after assembly. Detailed assembly instructions can be downloaded as a PDF file under "Documents".

Operation

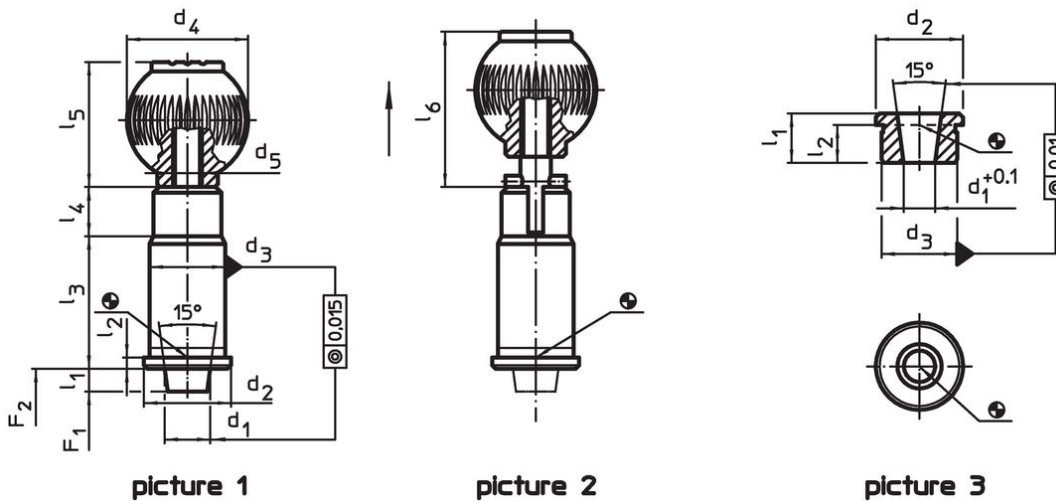
When using locking index plungers the knob is pulled out and turned 90°.

More information

Notes

Bushings must be ordered separately.

Drawing




Order information

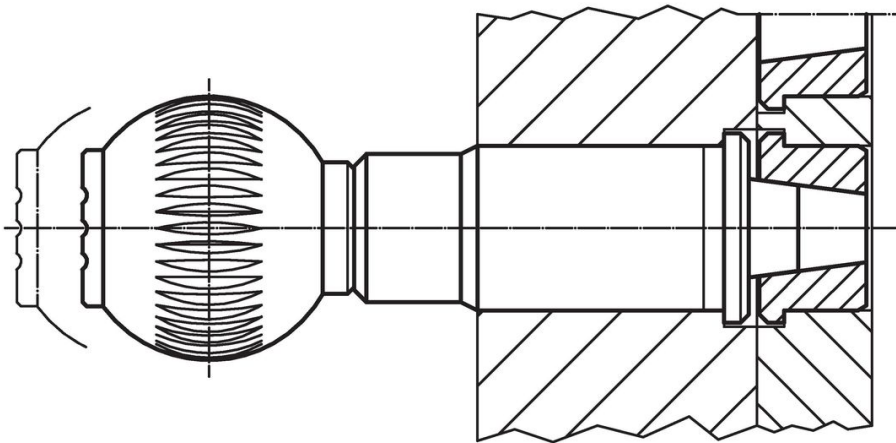
Nominal diameter [mm]	d ₁	d ₂	d ₃ n6	d ₄	d ₅	Dimensions						Spring load ¹⁾		Art. No.	
						l ₁ min.	l ₂	l ₃	l ₄	l ₅	l ₆	F ₁ ~	F ₂ ~		
without locking – picture 1															
10	10	19	16	25	M 6	6	2.5	31	13	25.0	–	19	29	78	22130.0110
12	12	23	20	32	M 8	6	3.0	35	13	33.0	–	22	35	135	22130.0112
16	16	28	25	40	M10	6	3.0	42	13	41.5	–	30	50	227	22130.0116
20	20	33	30	40	M10	6	3.0	50	13	41.5	–	46	63	348	22130.0120
25	25	42	38	50	M10	6	3.0	60	13	51.0	–	39	73	654	22130.0125
with locking – picture 2															
10	10	19	16	25	M 6	6	2.5	31	13	25.0	32.5	19	29	95	22130.0160
12	12	23	20	32	M 8	6	3.0	35	13	33.0	40.5	22	35	135	22130.0162
16	16	28	25	40	M10	6	3.0	42	13	41.5	49.0	30	50	228	22130.0166
20	20	33	30	40	M10	6	3.0	50	13	41.5	49.0	46	63	348	22130.0170
25	25	42	38	50	M10	6	3.0	60	13	51.0	58.5	39	73	651	22130.0175

¹⁾ statistical average value

Accessories

	Nominal diameter [mm]	Dimensions					[g]	Art. No.
		d_1 +0.1	d_2	d_3 n6 [mm]	l_1 min.	l_2		
Socket for precision index plungers, tapered – picture 3								
	10	7.10	19	16	11	8.5	13	22130.0190
	12	8.28	23	20	13	10.0	25	22130.0192
	16	11.52	28	25	17	14.0	47	22130.0193
	20	15.49	33	30	16	13.0	60	22130.0194
	25	19.70	42	38	19	16.0	114	22130.0196

Application example



Compliance

For detailed compliance information please select the desired article number.