

Precision Index Plungers · with cylindrical pin

EH 22130.



Product Description

Precision index plungers together with bushings are a perfect combination for quick positioning and mounting.

The precise tolerance of both, the precision index plunger and the bushing, guarantees a high repeatability of these two elements.

Material

Pin

- Case-hardened steel, case-hardened, blackened and ground

Bushing

- Case-hardened steel, case-hardened, blackened and ground

Body

- Case-hardened steel, case-hardened, blackened and ground

Ball knob

- Thermoplastic, greyish black

Assembly

For precise adjustment, the grip ball and plunger should be glued grease-free after assembly. Detailed assembly instructions can be downloaded as a PDF file under "Documents".

Operation

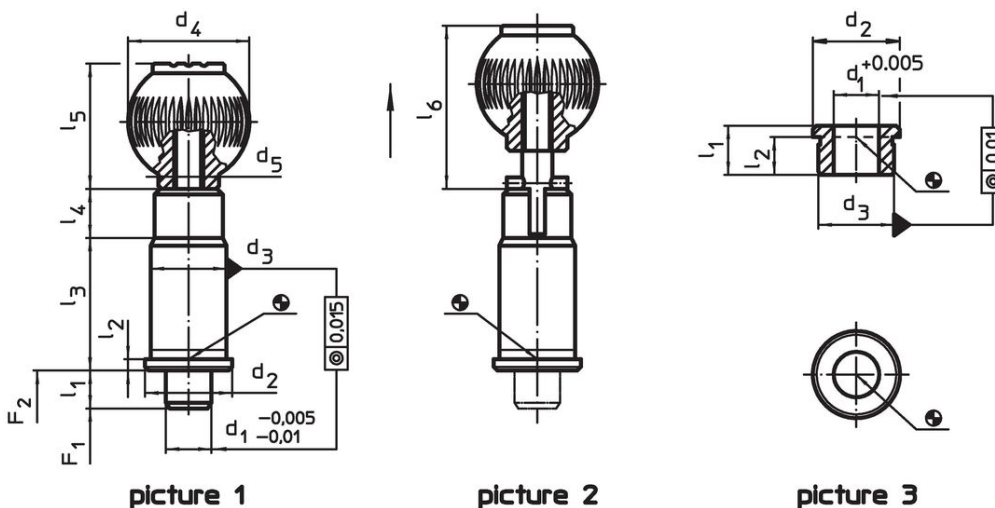
When using locking index plungers the knob is pulled out and turned 90°.

More information

Notes

Bushings must be ordered separately.

Drawing



Order information


d ₁	d ₂	d ₃	d ₄	d ₅	Dimensions						Spring load ¹⁾		Art. No.					
					l ₁	l ₂	l ₃	l ₄	l ₅	l ₆	F ₁	F ₂						
-0.005 -0.01		n6			min.							~	~	[g]				
[mm]																[N]	[g]	
without locking – picture 1																		
10	19	16	25	M 6	10	2.5	31	13	25.0	–	15	30	79	22130.0010				
12	23	20	32	M 8	10	3.0	35	13	33.0	–	15	35	138	22130.0012				
16	28	25	40	M10	10	3.0	42	13	41.5	–	20	50	226	22130.0016				
20	33	30	40	M10	10	3.0	50	13	41.5	–	36	63	350	22130.0020				
25	42	38	50	M10	10	3.0	60	13	51.0	–	20	73	649	22130.0025				

¹⁾ statistical average value

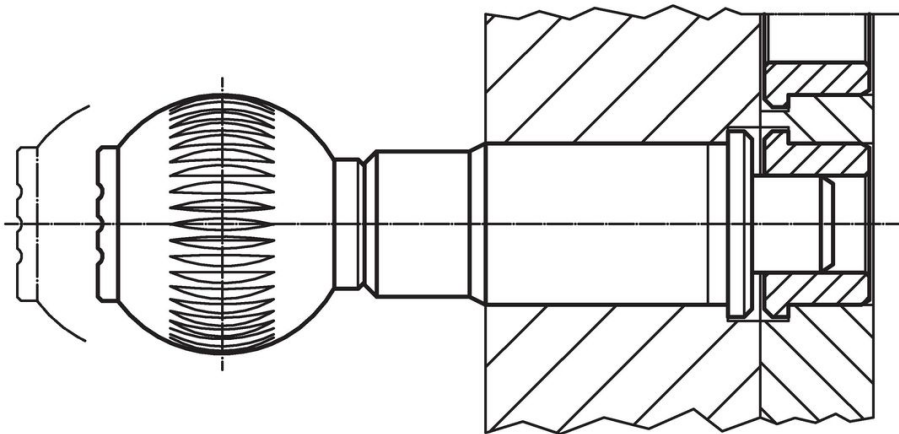
d ₁ -0.005 -0.01	d ₂	d ₃ n6	d ₄	d ₅	Dimensions						Spring load ¹⁾		[g]	Art. No.			
					l ₁ min.	l ₂	l ₃	l ₄	l ₅	l ₆	F ₁ ~	F ₂ ~					
[mm]															[N]	[g]	
with locking – picture 2																	
10	19	16	25	M 6	10	2.5	31	13	25.0	36.5	15	30	79	22130.0060			
12	23	20	32	M 8	10	3.0	35	13	33.0	44.5	15	35	136	22130.0062			
16	28	25	40	M10	10	3.0	42	13	41.5	53.0	20	50	228	22130.0066			
20	33	30	40	M10	10	3.0	50	13	41.5	53.0	36	63	349	22130.0070			
25	42	38	50	M10	10	3.0	60	13	51.0	62.5	20	73	650	22130.0075			

¹⁾ statistical average value

Accessories

	d ₁ +0.005	d ₂	Dimensions		[g]	Art. No.	
			d ₃ n6	l ₁ min.			l ₂
[mm]							
socket for precision index plungers, cylindrical – picture 3							
	10	19	16	11	8.5	11	22130.0090
	12	23	20	13	10.0	22	22130.0092
	16	28	25	17	14.0	40	22130.0093
	20	33	30	16	13.0	51	22130.0094
	25	42	38	19	16.0	99	22130.0096

Application example



Compliance

For detailed compliance information please select the desired article number.