

Index Plungers · without hexagon collar, stainless steel EH 22120.



Product Description

Index plungers are used for indexing bores.

Material

Body

- Stainless steel 1.4305

Locking pin

- Stainless steel 1.4305, nickel-plated

Knob

- Stainless steel 1.4305

Assembly

Suitable mounting tools are available.

More information

Notes

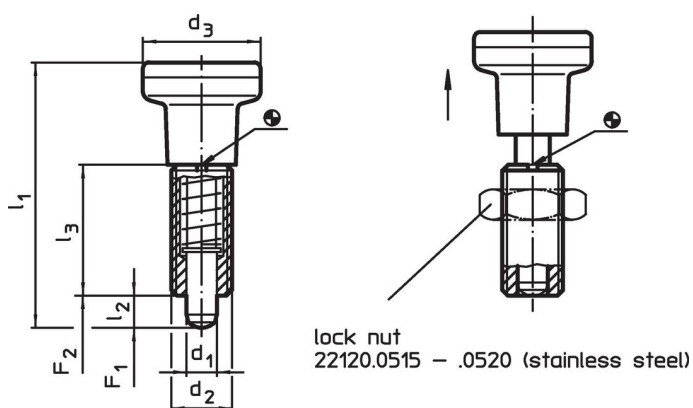
Knob not removable.

Lock nuts have to be purchased separately.

Further products

- Mounting Blocks, for index bolts and index plungers, die-cast
- Distance Collars, for index plungers

Drawing





Order information

d ₁ -0.02 -0.05	d ₂	Dimensions				Spring load ¹⁾		max. [°C]	[g]	Art. No.
		d ₃	l ₁ ~	l ₂ min.	l ₃	F ₁ ~ [N]	F ₂ ~			
Stainless steel										
5	M10 x 1	21	45.0	5	22	6.0	14	250	36	22120.0475
6	M12 x 1,5	25	54.5	6	26	6.5	19	250	62	22120.0476
8	M16 x 1,5	31	69.0	8	34	11.5	28	250	124	22120.0478
10	M20 x 1,5	31	80.0	10	41	23.0	54	250	165	22120.0480

¹⁾ statistical average value

Accessories

	Dimensions d ₂ [mm]	Wrench size [mm]	[g]	Art. No.
Lock nuts ISO 8675 (DIN 439), Stainless steel				
	M10 x 1	16	5.2	22120.0515
	M12 x 1,5	18	7.5	22120.0516
	M16 x 1,5	24	15.0	22120.0518
	M20 x 1,5	30	32.0	22120.0520
assembly tool, Steel				
	M10 x 1	-	9.3	22120.0955
	M12 x 1,5	-	14.0	22120.0956
	M16 x 1,5	-	25.0	22120.0958
	M20 x 1,5	-	27.0	22120.0960

Compliance

For detailed compliance information please select the desired article number.