

## Mounting Blocks · for index bolts and index plungers

EH 22120.



### Product Description

Assembly support and extended application for index bolts and index plungers (sizes 6, 8 and 10). Can also be used for locating the locating bushings and positioning bushings EH 22110..

### Material

#### Grub Screw

- Steel, blackened, with brass pad
- Stainless steel, with brass pad

#### Body

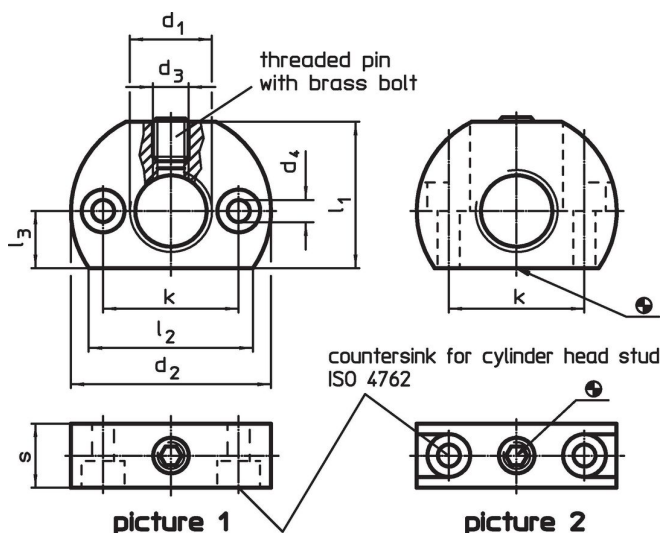
- Steel, blackened
- Stainless steel 1.4305

### More information

#### Further products

- Locating Bushings, for index bolts and index plungers
- Positioning Bushings, for index bolts and index plungers

### Drawing



### Order information

Dimensions									max. [°C]	[g]	Art. No.
d <sub>1</sub>	d <sub>2</sub>	d <sub>3</sub>	d <sub>4</sub>	k ±0.1	l <sub>1</sub>	l <sub>2</sub> ~	l <sub>3</sub>	s			
<b>mounting hole parallel to index bolt and index plunger – picture 1, Steel</b>											
M12 x 1,5	32	M5	4.5	21	22	26.5	9	12	250	43	<a href="#">22120.0345</a>
M16 x 1,5	46	M8	5.5	32	33	38.0	13	15	250	122	<a href="#">22120.0346</a>
M20 x 1,5	46	M8	5.5	32	33	38.0	13	15	250	109	<a href="#">22120.0350</a>
<b>mounting hole vertical to index bolt and index plunger – picture 2, Steel</b>											
M12 x 1,5	32	M5	4.5	21	22	26.5	9	12	250	37	<a href="#">22120.0347</a>
M16 x 1,5	46	M8	5.5	32	33	38.0	13	15	250	106	<a href="#">22120.0348</a>
M20 x 1,5	46	M8	5.5	32	33	38.0	13	15	250	94	<a href="#">22120.0352</a>
<b>mounting hole parallel to index bolt and index plunger – picture 1, Stainless steel</b>											
M12 x 1,5	32	M5	4.5	21	22	26.5	9	12	250	43	<a href="#">22120.0545</a>
M16 x 1,5	46	M8	5.5	32	33	38.0	13	15	250	122	<a href="#">22120.0546</a>
M20 x 1,5	46	M8	5.5	32	33	38.0	13	15	250	109	<a href="#">22120.0550</a>
<b>mounting hole vertical to index bolt and index plunger – picture 2, Stainless steel</b>											
M12 x 1,5	32	M5	4.5	21	22	26.5	9	12	250	37	<a href="#">22120.0547</a>
M16 x 1,5	46	M8	5.5	32	33	38.0	13	15	250	106	<a href="#">22120.0548</a>
M20 x 1,5	46	M8	5.5	32	33	38.0	13	15	250	94	<a href="#">22120.0552</a>

Application example



Compliance

For detailed compliance information please select the desired article number.