

Index Bolts

EH 22120.



Product Description

Index bolts are used for indexing purposes.
Plastic cover for grip allows better handling.

Material

Body

- Free cutting steel, blackened
- Stainless steel 1.4305

Locking pin

- Steel, hardened
- Stainless steel 1.4305, nickel-plated

Catch

- Free cutting steel, blackened
- Dry powdered metal 1.4404

Plastic cap

- Thermoplastic, black, dull

Operation

By turning the index bolt 180° the locking pin will be pulled-in and secured by a notched catch (when locking pin should not overhang).

More information

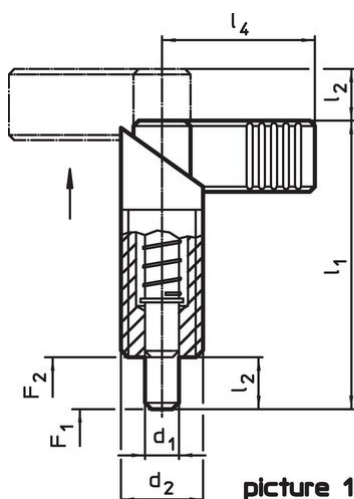
Notes

Lock nuts have to be purchased separately.

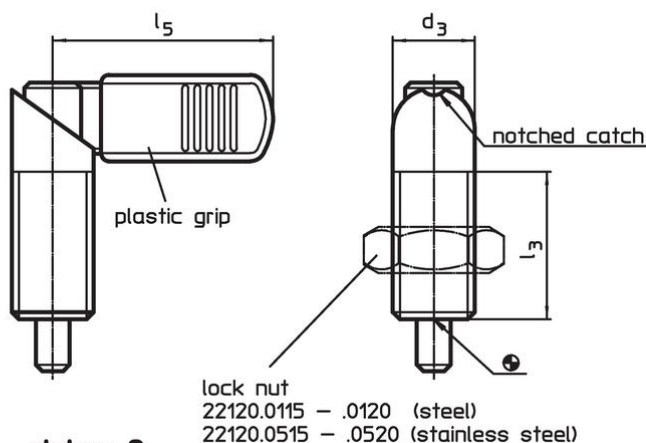
Further products

- Mounting Blocks, for index bolts and index plungers, die-cast
- Locating Bushings, for index bolts and index plungers
- Mounting Blocks, for index bolts and index plungers

Drawing



picture 1



picture 2

lock nut
22120.0115 - .0120 (steel)
22120.0515 - .0520 (stainless steel)

Order information



			Dimensions					Spring load ¹⁾		min. max.			Art. No.
d ₁	d ₂	d ₃	l ₁	l ₂	l ₃	l ₄	l ₅	F ₁	F ₂	min.	max.	[g]	
-0.02								~	~				
-0.04													
[mm]													
[N]													
[°C]													
[g]													
without plastic cover for grip – picture 1, Free cutting steel													
4	M10 x 1	10	37.5	6	19	21	–	7.0	20.0	–	250	17	22120.0302
5	M10 x 1	10	37.5	6	19	21	–	7.0	20.0	–	250	18	22120.0304
6	M10 x 1	10	37.5	6	19	21	–	7.0	20.0	–	250	18	22120.0306
5	M12 x 1,5	12	47.0	8	26	26	–	8.5	19.5	–	250	29	22120.0313
6	M12 x 1,5	12	47.0	8	26	26	–	8.5	19.5	–	250	29	22120.0314
6	M16 x 1,5	16	56.0	10	30	32	–	11.5	30.5	–	250	75	22120.0316
8	M12 x 1,5	12	47.0	8	26	26	–	8.5	19.5	–	250	30	22120.0315
8	M16 x 1,5	16	56.0	10	30	32	–	11.5	30.5	–	250	61	22120.0317

¹⁾ statistical average value

d ₁ -0.02 -0.04	Dimensions							Spring load ¹⁾		min. max.		[g]	Art. No.
	d ₂	d ₃	l ₁	l ₂	l ₃	l ₄	l ₅	F ₁ ~	F ₂ ~	[°C]			
	[mm]							[N]					
8	M20 x 1,5	20	69.0	12	36	37	–	21.0	57.5	–	250	121	22120.0318
10	M16 x 1,5	16	56.0	10	30	32	–	11.5	30.5	–	250	64	22120.0319
10	M20 x 1,5	20	69.0	12	36	37	–	21.0	57.5	–	250	128	22120.0320
12	M20 x 1,5	20	69.0	12	36	37	–	21.0	57.5	–	250	127	22120.0322
without plastic cover for grip – picture 1, Stainless steel													
4	M10 x 1	10	37.5	6	19	21	–	7.0	20.0	–	250	17	22120.0308
5	M10 x 1	10	37.5	6	19	21	–	7.0	20.0	–	250	18	22120.0310
6	M10 x 1	10	37.5	6	19	21	–	7.0	20.0	–	250	18	22120.0312
5	M12 x 1,5	12	47.0	8	26	26	–	8.5	19.5	–	250	29	22120.0323
6	M12 x 1,5	12	47.0	8	26	26	–	8.5	19.5	–	250	29	22120.0324
6	M16 x 1,5	16	56.0	10	30	32	–	11.5	30.5	–	250	75	22120.0326
8	M12 x 1,5	12	47.0	8	26	26	–	8.5	19.5	–	250	30	22120.0325
8	M16 x 1,5	16	56.0	10	30	32	–	11.5	30.5	–	250	61	22120.0327
8	M20 x 1,5	20	69.0	12	36	37	–	21.0	57.5	–	250	121	22120.0328
10	M16 x 1,5	16	56.0	10	30	32	–	11.5	30.5	–	250	64	22120.0329
10	M20 x 1,5	20	69.0	12	36	37	–	21.0	57.5	–	250	128	22120.0330
12	M20 x 1,5	20	69.0	12	36	37	–	21.0	57.5	–	250	127	22120.0332
with plastic cover for grip – picture 2, Free cutting steel													
5	M12 x 1,5	12	47.0	8	26	–	32	8.5	19.5	-30	80	30	22120.0353
6	M12 x 1,5	12	47.0	8	26	–	32	8.5	19.5	-30	80	30	22120.0354
6	M16 x 1,5	16	56.0	10	30	–	42	11.5	30.5	-30	80	61	22120.0356
8	M12 x 1,5	12	47.0	8	26	–	32	8.5	19.5	-30	80	32	22120.0355
8	M16 x 1,5	16	56.0	10	30	–	42	11.5	30.5	-30	80	63	22120.0357
8	M20 x 1,5	20	69.0	12	36	–	52	21.0	57.5	-30	80	124	22120.0358
10	M16 x 1,5	16	56.0	10	30	–	42	11.5	30.5	-30	80	66	22120.0359
10	M20 x 1,5	20	69.0	12	36	–	52	21.0	57.5	-30	80	128	22120.0360
12	M20 x 1,5	20	69.0	12	36	–	52	21.0	57.5	-30	80	131	22120.0362
with plastic cover for grip – picture 2, Stainless steel													
5	M12 x 1,5	12	47.0	8	26	–	32	8.5	19.5	-30	80	30	22120.0363
6	M12 x 1,5	12	47.0	8	26	–	32	8.5	19.5	-30	80	30	22120.0364
6	M16 x 1,5	16	56.0	10	30	–	42	11.5	30.5	-30	80	61	22120.0366
8	M12 x 1,5	12	47.0	8	26	–	32	8.5	19.5	-30	80	32	22120.0365
8	M16 x 1,5	16	56.0	10	30	–	42	11.5	30.5	-30	80	63	22120.0367
8	M20 x 1,5	20	69.0	12	36	–	52	21.0	57.5	-30	80	124	22120.0368
10	M16 x 1,5	16	56.0	10	30	–	42	11.5	30.5	-30	80	66	22120.0369
10	M20 x 1,5	20	69.0	12	36	–	52	21.0	57.5	-30	80	128	22120.0370
12	M20 x 1,5	20	69.0	12	36	–	52	21.0	57.5	-30	80	131	22120.0372

¹⁾ statistical average value

Accessories

	Dimensions		Wrench size		[g]	Art. No.
	d ₂	[mm]	[mm]	[mm]		
Lock nuts ISO 8675 (DIN 439), Steel						
	M10 x 1		16		5.2	22120.0115
	M12 x 1,5		18		7.5	22120.0116
	M16 x 1,5		24		15.0	22120.0118
	M20 x 1,5		30		32.0	22120.0120
Lock nuts ISO 8675 (DIN 439), Stainless steel						
	M10 x 1		16		5.2	22120.0515
	M12 x 1,5		18		7.5	22120.0516
	M16 x 1,5		24		15.0	22120.0518
	M20 x 1,5		30		32.0	22120.0520

Compliance

For detailed compliance information please select the desired article number.