

## Index Plungers · simple finish

EH 22120.



### Product Description

Application is limited to cases not requiring a precise positioning.  
Simple finish with very small dimensions.

### Material

#### Body

- Steel, zinc-plated by galvanization
- Stainless steel 1.4305

#### Locking pin

- Stainless steel 1.4305

#### Knob

- Thermoplastic PA 6, black, dull

#### Pull-ring

- Stainless steel 1.4310

### Operation

When using locking index plungers, the knob is pulled-out, turned 90° and secured by a notched catch (when locking pin should not overhang).

### More information

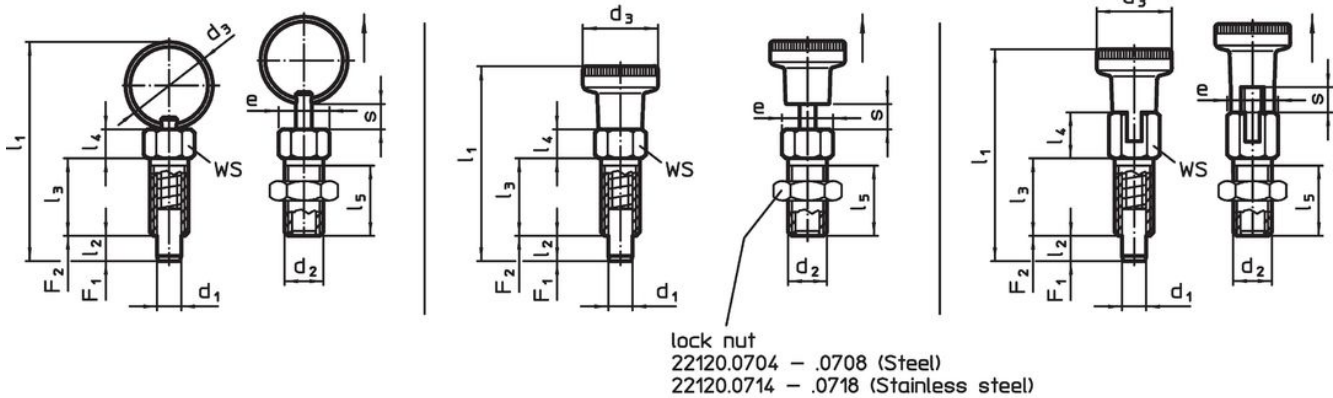
### Notes

Lock nuts have to be purchased separately.

### Further products

- Locating Bushings, for index bolts and index plungers

### Drawing



picture 1

picture 2

picture 3

### Order information


Dimensions										WS	Tightening torque max.	Spring load <sup>1)</sup>		Temperature		Weight	Art. No.	
d <sub>1</sub>	d <sub>2</sub>	d <sub>3</sub>	e	l <sub>1</sub>	l <sub>2</sub> min.	l <sub>3</sub>	l <sub>4</sub>	l <sub>5</sub>	s min.			F <sub>1</sub>	F <sub>2</sub>	min.	max.			[g]
[mm]										[mm]	[Nm]	[N]	[N]	[°C]		[g]		
-0.05																		
<b>with pull-ring, without locking – picture 1, Steel</b>																		
3	M 6	14	6.9	34.0	3.5	12	4.5	10.0	3.5	6	2	3	12	–	250	3.2	22120.0723	
4	M 6	14	6.9	34.5	4.0	12	4.5	10.0	4.0	6	2	3	12	–	250	3.6	22120.0724	
5	M 8	18	9.2	45.0	5.0	16	6.0	13.5	5.0	8	7	5	24	–	250	8.4	22120.0725	
6	M10	24	11.5	57.5	6.0	20	7.5	17.0	6.0	10	15	5	21	–	250	17.0	22120.0726	
8	M12	30	13.8	71.0	8.0	24	9.0	20.5	8.0	12	20	6	22	–	250	31.0	22120.0728	
<b>with knob, without locking – picture 2, Steel</b>																		
3	M 6	12	6.9	30.0	3.5	12	4.5	10.0	3.5	6	2	3	12	-30	80	3.6	22120.0743	
4	M 6	12	6.9	30.5	4.0	12	4.5	10.0	4.0	6	2	3	12	-30	80	3.8	22120.0744	
5	M 8	16	9.2	40.0	5.0	16	6.0	13.5	5.0	8	7	5	24	-30	80	9.2	22120.0745	
6	M10	18	11.5	49.0	6.0	20	7.5	17.0	6.0	10	15	5	21	-30	80	18.0	22120.0746	
8	M12	21	13.8	59.0	8.0	24	9.0	20.5	8.0	12	20	6	22	-30	80	31.0	22120.0748	

<sup>1)</sup> statistical average value

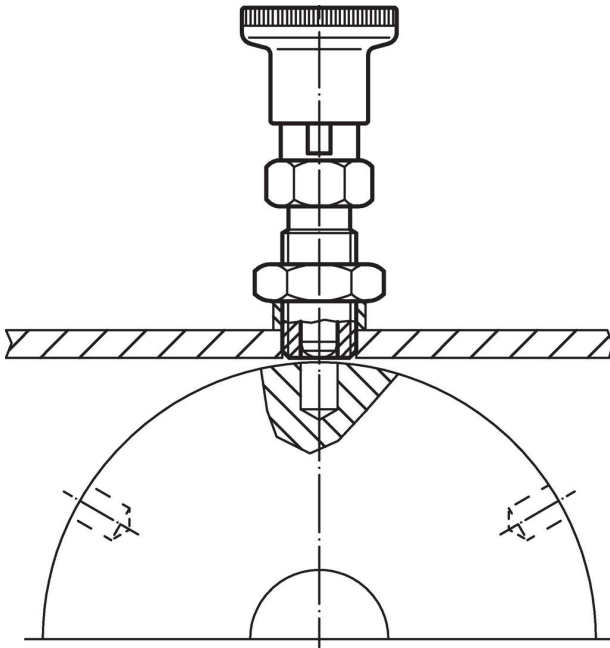
Dimensions										WS [mm]	Tightening torque max. [Nm]	Spring load <sup>1)</sup> [N]		Temperature [°C]		Weight [g]	Art. No.	
d <sub>1</sub> -0.05	d <sub>2</sub>	d <sub>3</sub>	e	l <sub>1</sub>	l <sub>2</sub> min.	l <sub>3</sub>	l <sub>4</sub>	l <sub>5</sub>	s min.			F <sub>1</sub> ~	F <sub>2</sub> ~	min.	max.			
[mm]										[N]		[°C]		[g]				
<b>with knob and locking – picture 3, Steel</b>																		
3	M 6	12	6.9	32.5	3.5	12	7.0	10.0	3.5	6	2	3	12	-30	80	3.8	<a href="#">22120.0763</a>	
4	M 6	12	6.9	33.0	4.0	12	7.0	10.0	4.0	6	2	3	12	-30	80	4.2	<a href="#">22120.0764</a>	
5	M 8	16	9.2	43.5	5.0	16	9.5	13.5	5.0	8	7	5	24	-30	80	9.8	<a href="#">22120.0765</a>	
6	M10	18	11.5	52.0	6.0	20	10.5	17.0	6.0	10	15	5	21	-30	80	18.0	<a href="#">22120.0766</a>	
8	M12	21	13.8	63.5	8.0	24	13.5	20.5	8.0	12	20	6	22	-30	80	33.0	<a href="#">22120.0768</a>	
<b>with pull-ring, without locking – picture 1, Stainless steel</b>																		
3	M 6	14	6.9	34.0	3.5	12	4.5	10.0	3.5	6	2	3	12	–	250	3.2	<a href="#">22120.0773</a>	
4	M 6	14	6.9	34.5	4.0	12	4.5	10.0	4.0	6	2	3	12	–	250	3.6	<a href="#">22120.0774</a>	
5	M 8	18	9.2	45.0	5.0	16	6.0	13.5	5.0	8	7	5	24	–	250	8.4	<a href="#">22120.0775</a>	
6	M10	24	11.5	57.5	6.0	20	7.5	17.0	6.0	10	15	5	21	–	250	17.0	<a href="#">22120.0776</a>	
8	M12	30	13.8	71.0	8.0	24	9.0	20.5	8.0	12	20	6	22	–	250	31.0	<a href="#">22120.0778</a>	
<b>with knob, without locking – picture 2, Stainless steel</b>																		
3	M 6	12	6.9	30.0	3.5	12	4.5	10.0	3.5	6	2	3	12	-30	80	3.6	<a href="#">22120.0783</a>	
4	M 6	12	6.9	30.5	4.0	12	4.5	10.0	4.0	6	2	3	12	-30	80	3.8	<a href="#">22120.0784</a>	
5	M 8	16	9.2	40.0	5.0	16	6.0	13.5	5.0	8	7	5	24	-30	80	9.2	<a href="#">22120.0785</a>	
6	M10	18	11.5	49.0	6.0	20	7.5	17.0	6.0	10	15	5	21	-30	80	18.0	<a href="#">22120.0786</a>	
8	M12	21	13.8	59.0	8.0	24	9.0	20.5	8.0	12	20	6	22	-30	80	31.0	<a href="#">22120.0788</a>	
<b>with knob and locking – picture 3, Stainless steel</b>																		
3	M 6	12	6.9	32.5	3.5	12	7.0	10.0	3.5	6	2	3	12	-30	80	3.8	<a href="#">22120.0793</a>	
4	M 6	12	6.9	33.0	4.0	12	7.0	10.0	4.0	6	2	3	12	-30	80	4.2	<a href="#">22120.0794</a>	
5	M 8	16	9.2	43.5	5.0	16	9.5	13.5	5.0	8	7	5	24	-30	80	9.8	<a href="#">22120.0795</a>	
6	M10	18	11.5	52.0	6.0	20	10.5	17.0	6.0	10	15	5	21	-30	80	18.0	<a href="#">22120.0796</a>	
8	M12	21	13.8	63.5	8.0	24	13.5	20.5	8.0	12	20	6	22	-30	80	33.0	<a href="#">22120.0798</a>	

<sup>1)</sup> statistical average value

## Accessories

	Dimensions		Wrench size		Art. No.
	d <sub>2</sub> [mm]		[mm]	Weight [g]	
<b>Steel</b>					
	M 6		10	1.3	<a href="#">22120.0704</a>
	M 8		13	2.8	<a href="#">22120.0705</a>
	M10		16	5.3	<a href="#">22120.0706</a>
	M12		18	7.6	<a href="#">22120.0708</a>
<b>Stainless steel</b>					
	M 6		10	1.3	<a href="#">22120.0714</a>
	M 8		13	2.8	<a href="#">22120.0715</a>
	M10		16	5.3	<a href="#">22120.0716</a>
	M12		18	7.6	<a href="#">22120.0718</a>

Application example



Compliance

For detailed compliance information please select the desired article number.