

Mounting Blocks · for index bolts and index plungers, die-cast

EH 22110.



Product Description

Assembly support and extended applications for index bolts and index plungers. Also to be used as a seat for locating bushings EH 22110.

Material

Grub Screw

- Steel, blackened, with brass pad

Body

- Zinc die-cast, plastic coated, black

Assembly

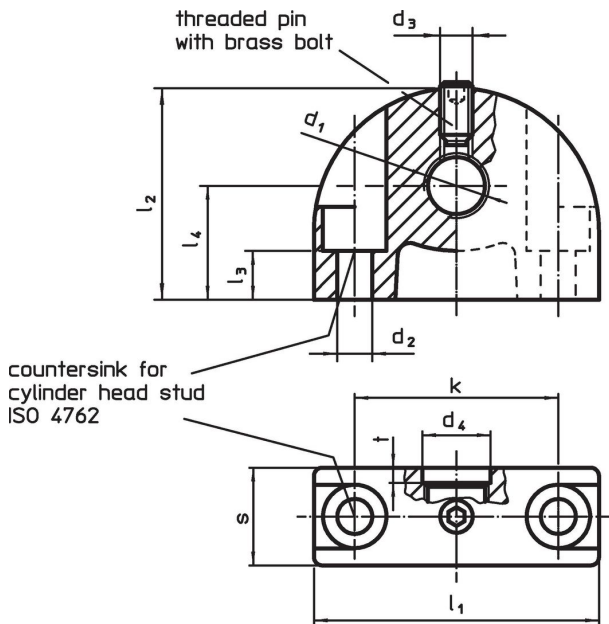
Index plunger must be assembled in hole d_1 on countersink side.

More information

Further products

- Locating Bushings, for index bolts and index plungers
- Positioning Bushings, for index bolts and index plungers

Drawing



Order information

Dimensions												max. [°C]	[g]	Art. No.	
d_1	d_2	d_3	d_4	k	l_1	l_2	l_3	l_4	s	t	[mm]				
mounting hole vertical to index bolt and index plunger															
M 8 x 1	4.3	M4	8.2	25	35	26	11.5	14	12	2	100	39	22110.0408		
M 8	4.3	M4	8.2	25	35	26	6.0	14	12	2	100	40	22110.0508		
M10 x 1	4.3	M4	10.2	25	35	26	11.5	14	12	2	100	36	22110.0410		
M10	4.3	M4	10.2	25	35	26	6.0	14	12	2	100	38	22110.0510		
M12 x 1,5	4.3	M4	12.2	25	35	26	11.5	14	12	3	100	41	22110.0412		
M12	4.3	M4	12.2	25	35	26	6.0	14	12	3	100	36	22110.0512		
M16 x 1,5	5.3	M5	16.2	35	47	34	15.5	18	14	3	100	77	22110.0416		
M16	5.3	M5	16.2	35	47	34	10.0	18	14	3	100	78	22110.0516		
M20 x 1,5	5.3	M5	20.2	35	47	34	15.5	18	14	3	100	68	22110.0420		

Application example



Compliance

For detailed compliance information please select the desired article number.