

## Index Plungers Compact • with hexagon collar and locking, with T-Handle

EH 22110.



### Product Description

Index plungers are used for indexing bores.  
Simple handling, e.g. when using safety gloves, with higher pull release.  
Types with / without lock have the same building height.  
Due to a thread recess the index plungers can be completely screwed in.

### Material

#### Body

- Steel, blackened
- Stainless steel 1.4305

#### Locking pin

- Steel, hardened
- Stainless steel 1.4305, nickel-plated

#### Knob

- Thermoplastic PA 6, black, dull

### Assembly

The screw length can be adapted by distance collars for index plungers (EH 22120.).

### Operation

The T-Handle is pulled out, turned 90° and secured by an internal notched catch (when locking pin should not overhang). The positions are defined distinctively by the T-Handle.

### More information

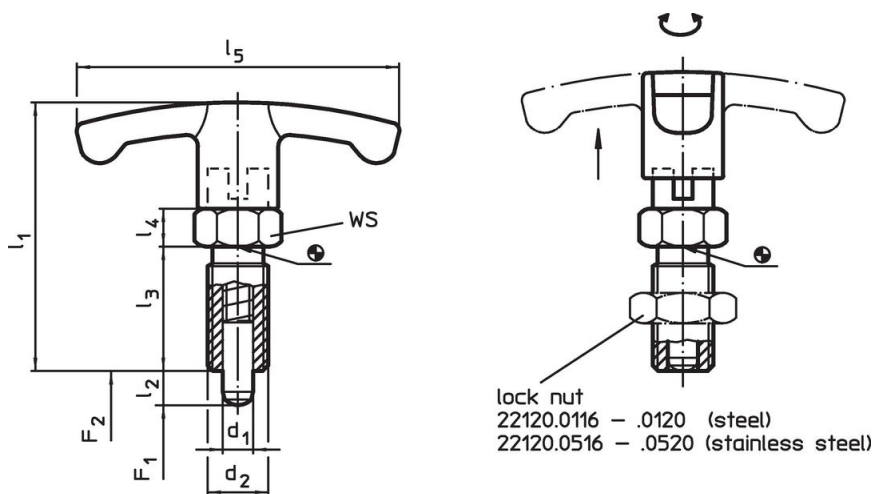
### Notes

Knob not removable.  
Lock nuts have to be purchased separately.

### Further products

- Mounting Blocks, for index bolts and index plungers, die-cast
- Locating Bushings, for index bolts and index plungers
- Distance Collars, for index plungers

### Drawing



Order information

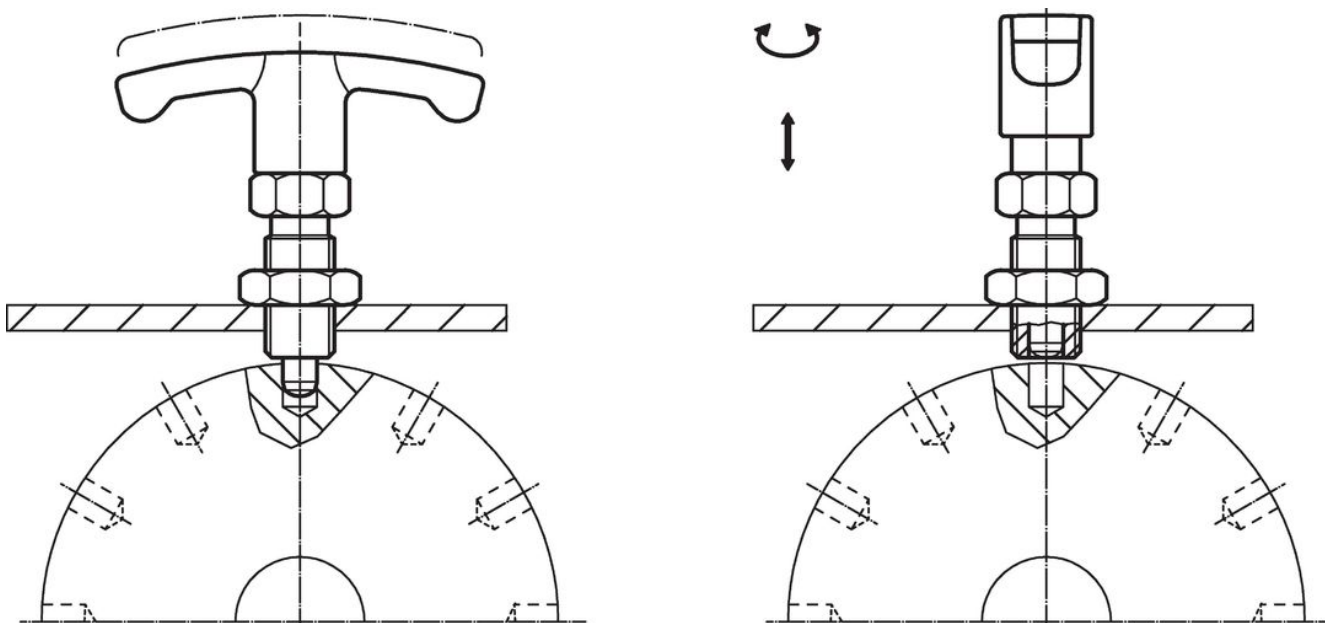
| Dimensions                       |                |                |                |                |                |                | WS<br>[mm] | Spring load <sup>1)</sup>  |                            | min.   max. |    | [g] | Art. No.   |
|----------------------------------|----------------|----------------|----------------|----------------|----------------|----------------|------------|----------------------------|----------------------------|-------------|----|-----|------------|
| d <sub>1</sub><br>-0.02<br>-0.05 | l <sub>2</sub> | d <sub>2</sub> | l <sub>1</sub> | l <sub>3</sub> | l <sub>4</sub> | l <sub>5</sub> |            | F <sub>1</sub><br>~<br>[N] | F <sub>2</sub><br>~<br>[N] | [°C]        |    |     |            |
| [mm]                             |                |                |                |                |                |                | [mm]       | [N]                        |                            | [°C]        |    | [g] |            |
| <b>Steel</b>                     |                |                |                |                |                |                |            |                            |                            |             |    |     |            |
| 6                                | 6              | M12 x 1,5      | 48             | 22             | 6              | 54             | 14         | 6.5                        | 19                         | -30         | 80 | 33  | 22110.0832 |
| 6                                | 9              | M12 x 1,5      | 48             | 22             | 6              | 54             | 14         | 6.0                        | 25                         | -30         | 80 | 34  | 22110.0834 |
| 8                                | 8              | M16 x 1,5      | 59             | 26             | 8              | 59             | 17         | 8.5                        | 26                         | -30         | 80 | 68  | 22110.0836 |
| 8                                | 12             | M16 x 1,5      | 59             | 26             | 8              | 59             | 17         | 8.5                        | 28                         | -30         | 80 | 71  | 22110.0838 |
| 10                               | 12             | M16 x 1,5      | 59             | 26             | 8              | 59             | 17         | 9.5                        | 38                         | -30         | 80 | 72  | 22110.0840 |
| 12                               | 15             | M20 x 1,5      | 68             | 33             | 10             | 59             | 22         | 11.5                       | 40                         | -30         | 80 | 127 | 22110.0842 |
| <b>Stainless steel</b>           |                |                |                |                |                |                |            |                            |                            |             |    |     |            |
| 6                                | 6              | M12 x 1,5      | 48             | 22             | 6              | 54             | 14         | 6.5                        | 19                         | -30         | 80 | 33  | 22110.0932 |
| 6                                | 9              | M12 x 1,5      | 48             | 22             | 6              | 54             | 14         | 6.0                        | 25                         | -30         | 80 | 34  | 22110.0934 |
| 8                                | 8              | M16 x 1,5      | 59             | 26             | 8              | 59             | 17         | 8.5                        | 26                         | -30         | 80 | 68  | 22110.0936 |
| 8                                | 12             | M16 x 1,5      | 59             | 26             | 8              | 59             | 17         | 8.5                        | 28                         | -30         | 80 | 71  | 22110.0938 |
| 10                               | 12             | M16 x 1,5      | 59             | 26             | 8              | 59             | 17         | 9.5                        | 38                         | -30         | 80 | 72  | 22110.0940 |
| 12                               | 15             | M20 x 1,5      | 68             | 33             | 10             | 59             | 22         | 11.5                       | 40                         | -30         | 80 | 127 | 22110.0942 |

<sup>1)</sup> statistical average value

Accessories

|                                                                                     | Dimensions             | Wrench size | [g]  | Art. No.   |
|-------------------------------------------------------------------------------------|------------------------|-------------|------|------------|
|                                                                                     | d <sub>2</sub><br>[mm] | [mm]        |      |            |
| <b>Lock nuts ISO 8675 (DIN 439), Steel</b>                                          |                        |             |      |            |
|  | M12 x 1,5              | 18          | 7.5  | 22120.0116 |
|                                                                                     | M16 x 1,5              | 24          | 15.0 | 22120.0118 |
|                                                                                     | M20 x 1,5              | 30          | 32.0 | 22120.0120 |
| <b>Lock nuts ISO 8675 (DIN 439), Stainless steel</b>                                |                        |             |      |            |
|  | M12 x 1,5              | 18          | 7.5  | 22120.0516 |
|                                                                                     | M16 x 1,5              | 24          | 15.0 | 22120.0518 |
|                                                                                     | M20 x 1,5              | 30          | 32.0 | 22120.0520 |

Application example



## Compliance

For detailed compliance information please select the desired article number.