

Index Plungers Compact • with hexagon collar, with T-Handle

EH 22110.



Product Description

Index plungers are used for indexing bores.
Simple handling, e.g. when using safety gloves, with higher pull release.
Types with / without lock have the same building height.
Due to a thread recess the index plungers can be completely screwed in.

Material

Body

- Steel, blackened
- Stainless steel 1.4305

Locking pin

- Steel, hardened
- Stainless steel 1.4305, nickel-plated

Knob

- Thermoplastic PA 6, black, dull

Assembly

The screw length can be adapted by distance collars for index plungers (EH 22120.).

More information

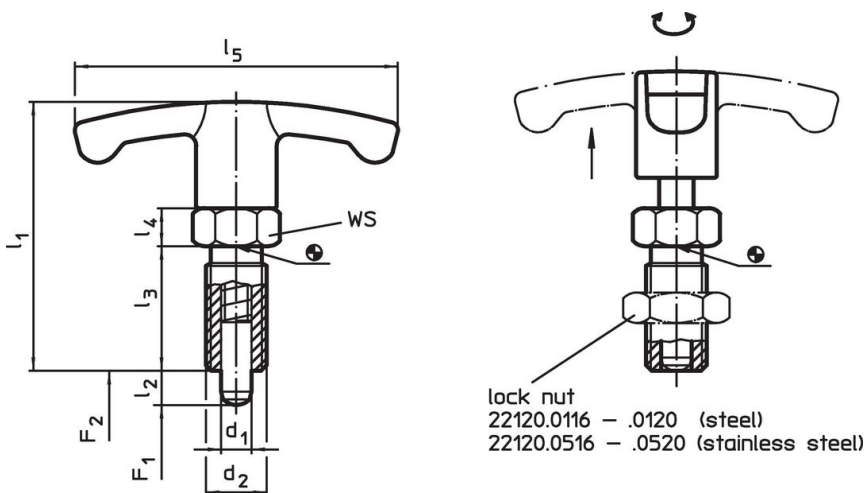
Notes

Knob not removable.
Lock nuts have to be purchased separately.

Further products

- Mounting Blocks, for index bolts and index plungers, die-cast
- Locating Bushings, for index bolts and index plungers
- Distance Collars, for index plungers

Drawing



Order information



| Dimensions | | | | | | | WS | Spring load ¹⁾ | | Temperature | | Weight | Art. No. |
|----------------|----------------|----------------|----------------|----------------|----------------|----------------|------|---------------------------|----------------|-------------|------|--------|----------------------------|
| d ₁ | l ₂ | d ₂ | l ₁ | l ₃ | l ₄ | l ₅ | | F ₁ | F ₂ | min. | max. | | |
| -0.02 -0.05 | | | | | | | [mm] | [N] | [N] | [°C] | | | |
| [mm] | | | | | | | | | | | | | |
| Steel | | | | | | | | | | | | | |
| 6 | 6 | M12 x 1,5 | 48 | 22 | 6 | 54 | 14 | 6.5 | 19 | -30 | 80 | 31 | 22110.0820 |
| 6 | 9 | M12 x 1,5 | 48 | 22 | 6 | 54 | 14 | 6.0 | 25 | -30 | 80 | 31 | 22110.0822 |
| 8 | 8 | M16 x 1,5 | 59 | 26 | 8 | 59 | 17 | 8.5 | 26 | -30 | 80 | 64 | 22110.0824 |
| 8 | 12 | M16 x 1,5 | 59 | 26 | 8 | 59 | 17 | 8.5 | 28 | -30 | 80 | 65 | 22110.0826 |
| 10 | 12 | M16 x 1,5 | 59 | 26 | 8 | 59 | 17 | 9.5 | 38 | -30 | 80 | 66 | 22110.0828 |
| 12 | 15 | M20 x 1,5 | 68 | 33 | 10 | 59 | 22 | 11.5 | 40 | -30 | 80 | 121 | 22110.0830 |

¹⁾ statistical average value

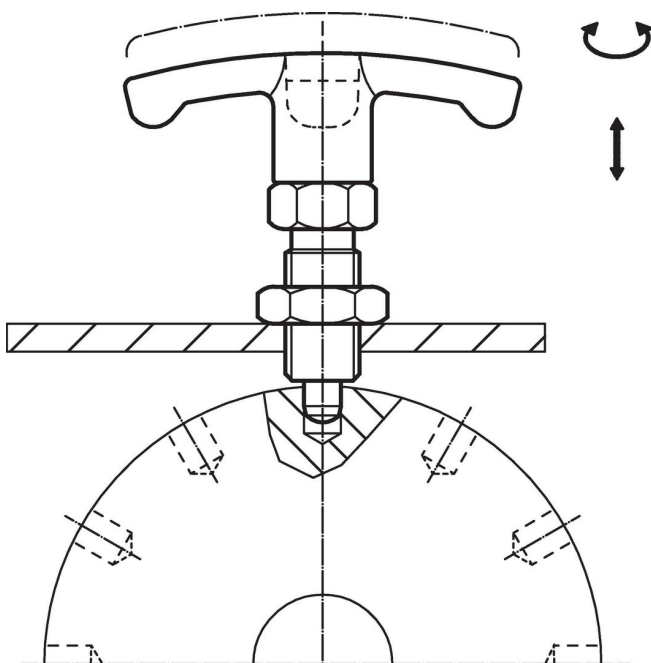
| Dimensions | | | | | | | WS [mm] | Spring load ¹⁾ | | Temperature | | Weight [g] | Art. No. |
|----------------------------------|----------------|----------------|----------------|----------------|----------------|----------------|------------|----------------------------|----------------------------|--------------|--------------|---------------|----------------------------|
| d ₁ -0.02 -0.05 | l ₂ | d ₂ | l ₁ | l ₃ | l ₄ | l ₅ | | F ₁ ~ [N] | F ₂ ~ [N] | min. [°C] | max. [°C] | | |
| Stainless steel | | | | | | | | | | | | | |
| 6 | 6 | M12 x 1,5 | 48 | 22 | 6 | 54 | 14 | 6.5 | 19 | -30 | 80 | 31 | 22110.0920 |
| 6 | 9 | M12 x 1,5 | 48 | 22 | 6 | 54 | 14 | 6.0 | 25 | -30 | 80 | 31 | 22110.0922 |
| 8 | 8 | M16 x 1,5 | 59 | 26 | 8 | 59 | 17 | 8.5 | 26 | -30 | 80 | 64 | 22110.0924 |
| 8 | 12 | M16 x 1,5 | 59 | 26 | 8 | 59 | 17 | 8.5 | 28 | -30 | 80 | 65 | 22110.0926 |
| 10 | 12 | M16 x 1,5 | 59 | 26 | 8 | 59 | 17 | 9.5 | 38 | -30 | 80 | 66 | 22110.0928 |
| 12 | 15 | M20 x 1,5 | 68 | 33 | 10 | 59 | 22 | 11.5 | 40 | -30 | 80 | 121 | 22110.0930 |

¹⁾ statistical average value

Accessories

| Image | Dimensions | Wrench size | Weight [g] | Art. No. |
|--|------------------------|-------------|---------------|----------------------------|
| | d ₂ [mm] | [mm] | | |
| Lock nuts ISO 8675 (DIN 439), Steel | | | | |
|  | M12 x 1,5 | 18 | 7.5 | 22120.0116 |
| | M16 x 1,5 | 24 | 15.0 | 22120.0118 |
| | M20 x 1,5 | 30 | 32.0 | 22120.0120 |
| Lock nuts ISO 8675 (DIN 439), Stainless steel | | | | |
|  | M12 x 1,5 | 18 | 7.5 | 22120.0516 |
| | M16 x 1,5 | 24 | 15.0 | 22120.0518 |
| | M20 x 1,5 | 30 | 32.0 | 22120.0520 |

Application example



Compliance

For detailed compliance information please select the desired article number.