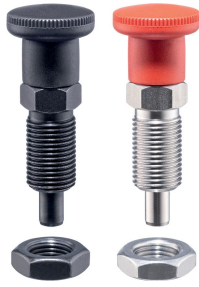


## Index Plungers Compact • with hexagon collar and locking EH 22110.



### Product Description

Index plungers are used for indexing bores.  
Types with / without lock have the same building height.  
Due to a thread recess the index plungers can be completely screwed in.

### Material

#### Body

- Steel, blackened
- Stainless steel 1.4305

#### Locking pin

- Steel, hardened
- Stainless steel 1.4305, nickel-plated

#### Knob

- Thermoplastic PA 6, black, dull
- Thermoplast PA 6, red, dull

### Assembly

The screw length can be adapted by distance collars for index plungers (EH 22120.).

### Operation

The knob is pulled-out, turned 90° and secured by a notched catch (when locking pin should not overhang).

### More information

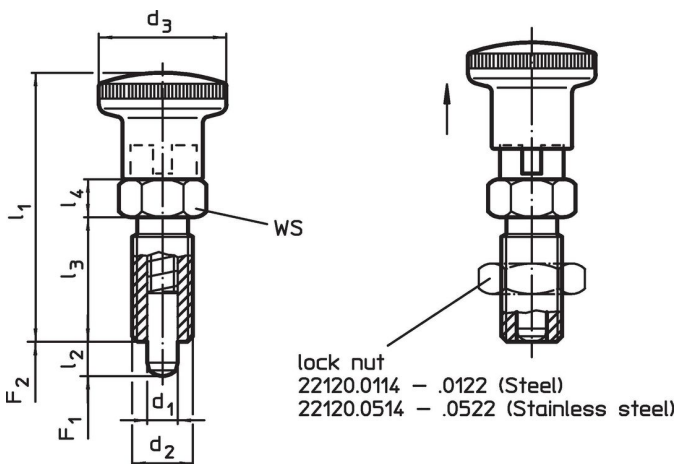
### Notes

Knob not removable.  
Lock nuts have to be purchased separately.

### Further products

- Mounting Blocks, for index bolts and index plungers, die-cast
- Locating Bushings, for index bolts and index plungers
- Distance Collars, for index plungers



### Drawing



### Order information




Dimensions							WS	Spring load <sup>1)</sup>		Temperature		Weight [g]	Art. No.
d <sub>1</sub>	d <sub>2</sub>	l <sub>2</sub> min.	d <sub>3</sub>	l <sub>1</sub>	l <sub>3</sub>	l <sub>4</sub>		F <sub>1</sub> ~	F <sub>2</sub> ~	min.	max.		
[mm]							[mm]	[N]		[°C]		[g]	
<b>with knob, black, Steel</b>													
4	M 8 x 1	4	16	35.0	16	5	10	4.5	12.0	-30	80	12	22110.0123
4	M 8 x 1	6	16	35.0	16	5	10	4.0	12.5	-30	80	12	22110.0124
5	M10 x 1	5	19	40.0	18	6	12	5.0	15.0	-30	80	20	22110.0126
5	M10 x 1	8	19	40.0	18	6	12	5.0	18.0	-30	80	20	22110.0127
6	M12 x 1,5	6	23	48.0	22	6	14	6.5	19.0	-30	80	31	22110.0129
6	M12 x 1,5	9	23	48.0	22	6	14	6.0	25.0	-30	80	33	22110.0130
8	M16 x 1,5	8	28	58.0	26	8	17	8.5	26.0	-30	80	65	22110.0132

<sup>1)</sup> statistical average value

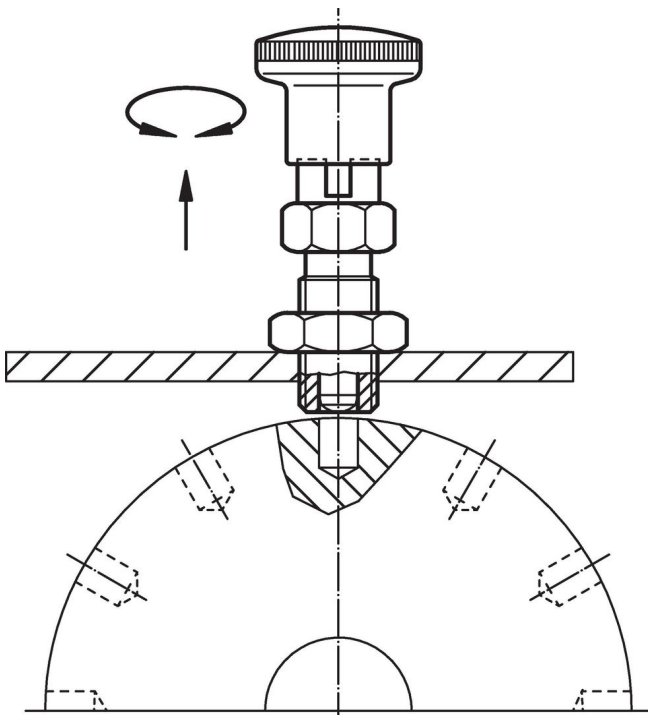
d <sub>1</sub> -0.02 -0.05	d <sub>2</sub>	Dimensions					WS [mm]	Spring load <sup>1)</sup>		 min.   max. [°C]		 [g]	Art. No.		
		l <sub>2</sub> min.	d <sub>3</sub>	l <sub>1</sub>	l <sub>3</sub>	l <sub>4</sub>		F <sub>1</sub> ~ [N]	F <sub>2</sub> ~ [N]						
[mm]													[N]	[°C]	[g]
8	M16 x 1,5	12	28	58.0	26	8	17	8.5	28.0	-30	80	68	<a href="#">22110.0133</a>		
10	M16 x 1,5	12	28	58.0	26	8	17	9.5	38.0	-30	80	69	<a href="#">22110.0135</a>		
12	M20 x 1,5	15	33	67.0	33	10	22	11.5	40.0	-30	80	125	<a href="#">22110.0136</a>		
16	M24 x 2	20	33	78.5	38	12	27	13.0	54.0	-30	80	219	<a href="#">22110.0137</a>		
<b>with knob, black, Stainless steel</b>															
4	M 8 x 1	4	16	35.0	16	5	10	4.5	12.0	-30	80	12	<a href="#">22110.0223</a>		
4	M 8 x 1	6	16	35.0	16	5	10	4.0	12.5	-30	80	12	<a href="#">22110.0224</a>		
5	M10 x 1	5	19	40.0	18	6	12	5.0	15.0	-30	80	20	<a href="#">22110.0226</a>		
5	M10 x 1	8	19	40.0	18	6	12	5.0	18.0	-30	80	20	<a href="#">22110.0227</a>		
6	M12 x 1,5	6	23	48.0	22	6	14	6.5	19.0	-30	80	31	<a href="#">22110.0229</a>		
6	M12 x 1,5	9	23	48.0	22	6	14	6.0	25.0	-30	80	33	<a href="#">22110.0230</a>		
8	M16 x 1,5	8	28	58.0	26	8	17	8.5	26.0	-30	80	65	<a href="#">22110.0232</a>		
8	M16 x 1,5	12	28	58.0	26	8	17	8.5	28.0	-30	80	68	<a href="#">22110.0233</a>		
10	M16 x 1,5	12	28	58.0	26	8	17	9.5	38.0	-30	80	69	<a href="#">22110.0235</a>		
12	M20 x 1,5	15	33	67.0	33	10	22	11.5	40.0	-30	80	125	<a href="#">22110.0236</a>		
16	M24 x 2	20	33	78.5	38	12	27	13.0	54.0	-30	80	219	<a href="#">22110.0237</a>		
<b>with knob, red, Steel</b>															
4	M 8 x 1	4	16	35.0	16	5	10	4.5	12.0	-30	80	11	<a href="#">22110.2123</a>		
4	M 8 x 1	6	16	35.0	16	5	10	4.0	12.5	-30	80	13	<a href="#">22110.2124</a>		
5	M10 x 1	5	19	40.0	18	6	12	5.0	15.0	-30	80	21	<a href="#">22110.2126</a>		
5	M10 x 1	8	19	40.0	18	6	12	5.0	18.0	-30	80	21	<a href="#">22110.2127</a>		
6	M12 x 1,5	6	23	48.0	22	6	14	6.5	19.0	-30	80	33	<a href="#">22110.2129</a>		
6	M12 x 1,5	9	23	48.0	22	6	14	6.0	25.0	-30	80	32	<a href="#">22110.2130</a>		
8	M16 x 1,5	8	28	58.0	26	8	17	8.5	26.0	-30	80	65	<a href="#">22110.2132</a>		
8	M16 x 1,5	12	28	58.0	26	8	17	8.5	28.0	-30	80	69	<a href="#">22110.2133</a>		
10	M16 x 1,5	12	28	58.0	26	8	17	9.5	38.0	-30	80	70	<a href="#">22110.2135</a>		
12	M20 x 1,5	15	33	71.5	33	10	22	11.5	40.0	-30	80	127	<a href="#">22110.2136</a>		
16	M24 x 2	20	33	78.5	38	12	27	13.0	54.0	-30	80	200	<a href="#">22110.2137</a>		
<b>with knob, red, Stainless steel</b>															
4	M 8 x 1	4	16	35.0	16	5	10	4.5	12.0	-30	80	11	<a href="#">22110.2223</a>		
4	M 8 x 1	6	16	35.0	16	5	10	4.0	12.5	-30	80	13	<a href="#">22110.2224</a>		
5	M10 x 1	5	19	40.0	18	6	12	5.0	15.0	-30	80	21	<a href="#">22110.2226</a>		
5	M10 x 1	8	19	40.0	18	6	12	5.0	18.0	-30	80	21	<a href="#">22110.2227</a>		
6	M12 x 1,5	6	23	48.0	22	6	14	6.5	19.0	-30	80	33	<a href="#">22110.2229</a>		
6	M12 x 1,5	9	23	48.0	22	6	14	6.0	25.0	-30	80	32	<a href="#">22110.2230</a>		
8	M16 x 1,5	8	28	58.0	26	8	17	8.5	26.0	-30	80	65	<a href="#">22110.2232</a>		
8	M16 x 1,5	12	28	58.0	26	8	17	8.5	28.0	-30	80	69	<a href="#">22110.2233</a>		
10	M16 x 1,5	12	28	58.0	26	8	17	9.5	38.0	-30	80	70	<a href="#">22110.2235</a>		
12	M20 x 1,5	15	33	71.5	33	10	22	11.5	40.0	-30	80	127	<a href="#">22110.2236</a>		
16	M24 x 2	20	33	78.5	38	12	27	13.0	54.0	-30	80	200	<a href="#">22110.2237</a>		

<sup>1)</sup> statistical average value

## Accessories

	Dimensions	Wrench size		Art. No.
	d <sub>2</sub> [mm]	[mm]		
<b>Lock nuts ISO 8675 (DIN 439), Steel</b>				
	M 8 x 1	13	2.7	<a href="#">22120.0114</a>
	M10 x 1	16	5.2	<a href="#">22120.0115</a>
	M12 x 1,5	18	7.5	<a href="#">22120.0116</a>
	M16 x 1,5	24	15.0	<a href="#">22120.0118</a>
	M20 x 1,5	30	32.0	<a href="#">22120.0120</a>
	M24 x 2	36	58.0	<a href="#">22120.0122</a>
<b>Lock nuts ISO 8675 (DIN 439), Stainless steel</b>				
	M 8 x 1	13	2.7	<a href="#">22120.0514</a>
	M10 x 1	16	5.2	<a href="#">22120.0515</a>
	M12 x 1,5	18	7.5	<a href="#">22120.0516</a>
	M16 x 1,5	24	15.0	<a href="#">22120.0518</a>
	M20 x 1,5	30	32.0	<a href="#">22120.0520</a>
	M24 x 2	36	58.0	<a href="#">22120.0522</a>

## Application example



## Compliance

For detailed compliance information please select the desired article number.