

Index Plungers Mini Indexes · basic type

EH 22110.



Product Description

Particularly suitable for screwing into thin walled pieces.
Performance in the smallest space requirements.
Due to a thread recess the index plungers can be completely screwed in.

Material

Body

- Steel, zinc-plated by galvanization
- Stainless steel 1.4305

Locking pin

- Stainless steel 1.4305

Knob

- Thermoplastic PA 6, black, dull

Assembly

Screw in the mini index. By lifting the knob, the hexagon will be released for assembly.
The screw length can be adapted by distance collars for index plungers (EH 22120.).

Operation

When using the self-locking type the knob is pulled-out, turned 30° and secured by a notched catch.

More information

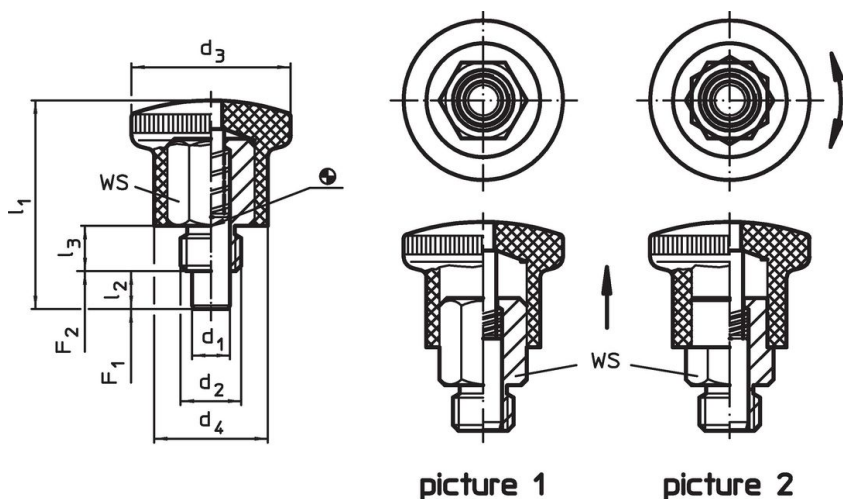
Notes

Knob not removable.

Further products

- Distance Collars, for index plungers

Drawing



Order information

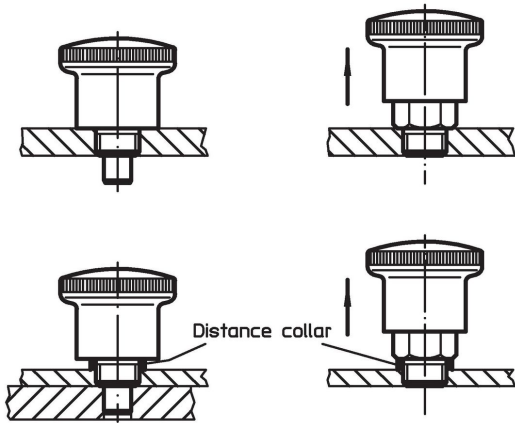
Dimensions							WS	Spring load ¹⁾		Temperature		Weight	Art. No.
d ₁ h9	d ₂	d ₃	d ₄	l ₁	l ₂ min.	l ₃		F ₁ ~	F ₂ ~	min.	max.		
[mm]							[mm]	[N]		[°C]		[g]	
without locking – picture 1, Steel													
4	M 8	21	15	27.5	5	6	10	4	12	-30	80	14	22110.0602
4	M 8 x 1	21	15	27.5	5	6	10	4	12	-30	80	14	22110.0604
5	M10	25	18	34.0	6	8	12	6	16	-30	80	25	22110.0606
5	M10 x 1	25	18	34.0	6	8	12	6	16	-30	80	24	22110.0608
6	M10	25	18	34.0	6	8	12	6	16	-30	80	25	22110.0610
6	M10 x 1	25	18	34.0	6	8	12	6	16	-30	80	25	22110.0612
6	M12	28	20	40.5	7	10	14	10	23	-30	80	40	22110.0614
6	M12 x 1,5	28	20	40.5	7	10	14	10	23	-30	80	40	22110.0616
7	M12	28	20	40.5	7	10	14	10	23	-30	80	41	22110.0618
7	M12 x 1,5	28	20	40.5	7	10	14	10	23	-30	80	40	22110.0620

¹⁾ statistical average value

d ₁ h9	d ₂	Dimensions					WS [mm]	Spring load ¹⁾		min. max.		[g]	Art. No.
		d ₃	d ₄	l ₁	l ₂ min.	l ₃		F ₁ ~ [N]	F ₂ ~ [N]	[°C]			
[mm]													
8	M16	33	23	47.5	10	12	17	11	35	-30	80	66	22110.0622
8	M16 x 1,5	33	23	47.5	10	12	17	11	35	-30	80	67	22110.0624
10	M16	33	23	47.5	10	12	17	11	35	-30	80	68	22110.0626
10	M16 x 1,5	33	23	47.5	10	12	17	11	35	-30	80	69	22110.0628
with locking – picture 2, Steel													
4	M 8	21	15	27.5	5	6	10	4	12	-30	80	14	22110.0630
4	M 8 x 1	21	15	27.5	5	6	10	4	12	-30	80	13	22110.0632
5	M10	25	18	34.0	6	8	12	6	16	-30	80	23	22110.0634
5	M10 x 1	25	18	34.0	6	8	12	6	16	-30	80	23	22110.0636
6	M10	25	18	34.0	6	8	12	6	16	-30	80	24	22110.0638
6	M10 x 1	25	18	34.0	6	8	12	6	16	-30	80	25	22110.0640
6	M12	28	20	40.5	7	10	14	10	23	-30	80	38	22110.0642
6	M12 x 1,5	28	20	40.5	7	10	14	10	23	-30	80	39	22110.0644
7	M12	28	20	40.5	7	10	14	10	23	-30	80	39	22110.0646
7	M12 x 1,5	28	20	40.5	7	10	14	10	23	-30	80	39	22110.0648
8	M16	33	23	47.5	10	12	17	11	35	-30	80	64	22110.0650
8	M16 x 1,5	33	23	47.5	10	12	17	11	35	-30	80	65	22110.0652
10	M16	33	23	47.5	10	12	17	11	35	-30	80	66	22110.0654
10	M16 x 1,5	33	23	47.5	10	12	17	11	35	-30	80	67	22110.0656
without locking – picture 1, Stainless steel													
4	M 8	21	15	27.5	5	6	10	4	12	-30	80	14	22110.0702
4	M 8 x 1	21	15	27.5	5	6	10	4	12	-30	80	14	22110.0704
5	M10	25	18	34.0	6	8	12	6	16	-30	80	25	22110.0706
5	M10 x 1	25	18	34.0	6	8	12	6	16	-30	80	24	22110.0708
6	M10	25	18	34.0	6	8	12	6	16	-30	80	25	22110.0710
6	M10 x 1	25	18	34.0	6	8	12	6	16	-30	80	25	22110.0712
6	M12	28	20	40.5	7	10	14	10	23	-30	80	40	22110.0714
6	M12 x 1,5	28	20	40.5	7	10	14	10	23	-30	80	40	22110.0716
7	M12	28	20	40.5	7	10	14	10	23	-30	80	41	22110.0718
7	M12 x 1,5	28	20	40.5	7	10	14	10	23	-30	80	40	22110.0720
8	M16	33	23	47.5	10	12	17	11	35	-30	80	66	22110.0722
8	M16 x 1,5	33	23	47.5	10	12	17	11	35	-30	80	67	22110.0724
10	M16	33	23	47.5	10	12	17	11	35	-30	80	68	22110.0726
10	M16 x 1,5	33	23	47.5	10	12	17	11	35	-30	80	69	22110.0728
with locking – picture 2, Stainless steel													
4	M 8	21	15	27.5	5	6	10	4	12	-30	80	14	22110.0730
4	M 8 x 1	21	15	27.5	5	6	10	4	12	-30	80	13	22110.0732
5	M10	25	18	34.0	6	8	12	6	16	-30	80	23	22110.0734
5	M10 x 1	25	18	34.0	6	8	12	6	16	-30	80	23	22110.0736
6	M10	25	18	34.0	6	8	12	6	16	-30	80	24	22110.0738
6	M10 x 1	25	18	34.0	6	8	12	6	16	-30	80	25	22110.0740
6	M12	28	20	40.5	7	10	14	10	23	-30	80	38	22110.0742
6	M12 x 1,5	28	20	40.5	7	10	14	10	23	-30	80	39	22110.0744
7	M12	28	20	40.5	7	10	14	10	23	-30	80	39	22110.0746
7	M12 x 1,5	28	20	40.5	7	10	14	10	23	-30	80	39	22110.0748
8	M16	33	23	47.5	10	12	17	11	35	-30	80	64	22110.0750
8	M16 x 1,5	33	23	47.5	10	12	17	11	35	-30	80	65	22110.0752
10	M16	33	23	47.5	10	12	17	11	35	-30	80	66	22110.0754
10	M16 x 1,5	33	23	47.5	10	12	17	11	35	-30	80	67	22110.0756

¹⁾ statistical average value

Application example



Compliance

For detailed compliance information please select the desired article number.