

## Index Plungers · with mounting flange, horizontal, stainless steel

EH 22110.



### Product Description

Index plungers are used for indexing bores.

### Material

#### Housing

- Stainless steel 1.4308, precision casting, bright, matt blasted

#### Locking pin

- Stainless steel 1.4305

#### Knob

- Thermoplastic PA 6, black, dull

#### Pull-ring

- Stainless steel 1.4310

### Assembly

Assembly by means of washers ISO 7092.

### Operation

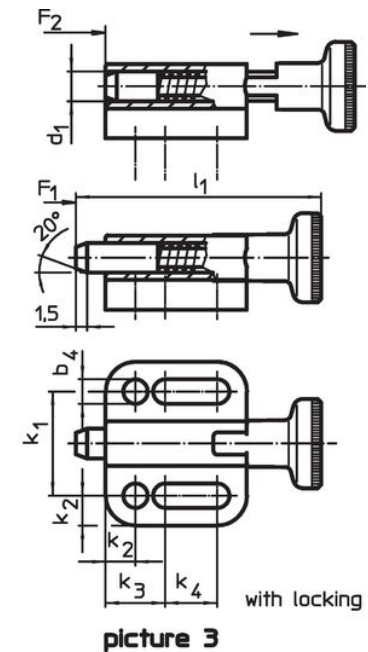
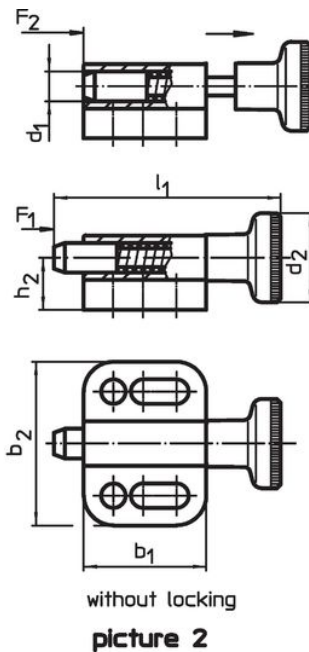
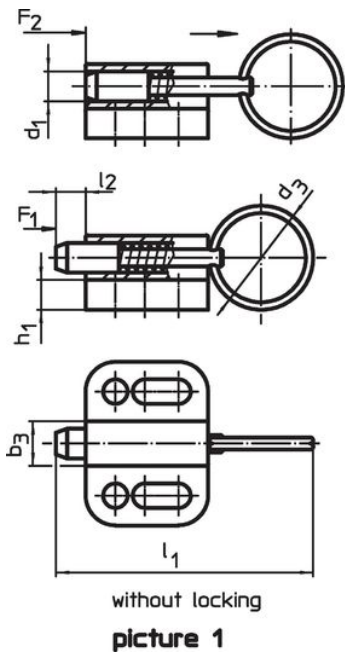
When using locking index plungers, the knob is pulled-out, turned 90° and secured by a notched catch (when locking pin should not overhang).

### More information

### Notes

Knob not removable.

### Drawing



### Order information

Dimensions														Spring load <sup>1)</sup>		Temperature		Weight [g]	Art. No.						
d <sub>1</sub>	d <sub>2</sub>	d <sub>3</sub>	b <sub>1</sub>	b <sub>2</sub>	b <sub>3</sub>	b <sub>4</sub>	h <sub>1</sub>	h <sub>2</sub>	k <sub>1</sub>	k <sub>2</sub>	k <sub>3</sub>	k <sub>4</sub>	l <sub>1</sub>	l <sub>2</sub>	F <sub>1</sub>	F <sub>2</sub>	min.			max.	[g]				
h11						-0.2			±0.05					min.	~	~									
[mm]																					[N]		[°C]		
<b>with pull-ring, without locking – picture 1</b>																									
4	-	14	16.5	22	6.0	3.3	4.0	7.0	14	4.0	8	4.5	34.5	4	3	12	-	100	12	<a href="#">22110.2304</a>					
5	-	18	22.0	28	8.0	4.3	4.5	9.5	18	5.0	10	7.0	45.0	5	5	24	-	100	24	<a href="#">22110.2305</a>					
6	-	24	27.5	32	10.0	5.4	5.0	10.5	21	5.5	12	10.0	57.5	6	5	21	-	100	42	<a href="#">22110.2306</a>					
8	-	30	33.0	34	12.0	5.4	6.0	12.5	23	5.5	12	15.5	71.0	8	6	22	-	100	67	<a href="#">22110.2308</a>					
10	-	30	35.0	39	14.5	6.5	6.0	14.5	27	6.0	15	13.5	75.0	10	4	25	-	100	93	<a href="#">22110.2310</a>					

<sup>1)</sup> statistical average value

Dimensions																Spring load <sup>1)</sup>		min. max.		[g]	Art. No.					
d <sub>1</sub> h11	d <sub>2</sub>	d <sub>3</sub>	b <sub>1</sub>	b <sub>2</sub>	b <sub>3</sub>	b <sub>4</sub> -0.2	h <sub>1</sub>	h <sub>2</sub>	k <sub>1</sub> ±0.05	k <sub>2</sub>	k <sub>3</sub>	k <sub>4</sub>	l <sub>1</sub>	l <sub>2</sub> min.	F <sub>1</sub> ~	F <sub>2</sub> ~	min.	max.	[N]			[°C]				
[mm]																					[N]		[°C]		[g]	
<b>with knob, without locking – picture 2</b>																										
4	12	–	16.5	22	6.0	3.3	4.0	7.0	14	4.0	8	4.5	30.5	4	3	12	-30	80	14	<a href="#">22110.2324</a>						
5	16	–	22.0	28	8.0	4.3	4.5	9.5	18	5.0	10	7.0	40.0	5	5	24	-30	80	26	<a href="#">22110.2325</a>						
6	18	–	27.5	32	10.0	5.4	5.0	10.5	21	5.5	12	10.0	49.0	6	5	21	-30	80	44	<a href="#">22110.2326</a>						
8	21	–	33.0	34	12.0	5.4	6.0	12.5	23	5.5	12	15.5	59.0	8	6	22	-30	80	67	<a href="#">22110.2328</a>						
10	25	–	35.0	39	14.5	6.5	6.0	14.5	27	6.0	15	13.5	67.5	10	4	25	-30	80	99	<a href="#">22110.2330</a>						
<b>with knob and locking – picture 3</b>																										
4	12	–	19.0	22	6.0	3.3	4.0	7.0	14	4.0	8	7.0	33.0	4	3	12	-30	80	15	<a href="#">22110.2344</a>						
5	16	–	25.5	28	8.0	4.3	4.5	9.5	18	5.0	10	10.5	43.5	5	5	24	-30	80	30	<a href="#">22110.2345</a>						
6	18	–	30.5	32	10.0	5.4	5.0	10.5	21	5.5	12	13.0	52.0	6	5	21	-30	80	48	<a href="#">22110.2346</a>						
8	21	–	37.5	34	12.0	5.4	6.0	12.5	23	5.5	12	20.0	63.5	8	6	22	-30	80	68	<a href="#">22110.2348</a>						
10	25	–	40.0	39	14.5	6.5	6.0	14.5	27	6.0	15	18.5	72.5	10	4	25	-30	80	109	<a href="#">22110.2350</a>						

<sup>1)</sup> statistical average value

## Compliance

### RoHS compliant

Compliant according to Directive 2011/65/EU and Directive 2015/863.

### Does not contain SVHC substances

No SVHC substances with more than 0.1% w/w contained - SVHC list [REACH] as of 27.06.2024.

### Does not contain Proposition 65 substances

No Proposition 65 substances included.

<https://www.P65Warnings.ca.gov/>

### Free from Conflict Minerals