

## Positioning Bushings • for index bolts and index plungers

EH 22110.



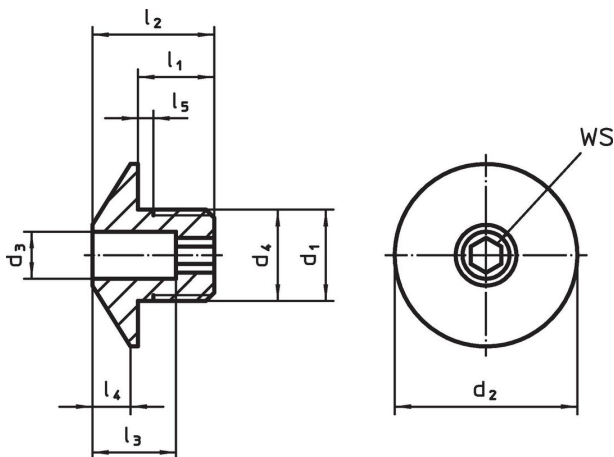
### Product Description

Positioning bushings are suitable for index plungers and index bolts.  
Low wear thanks to hardened running ball.


### Material

- Steel, hardened, blackened
- Stainless steel, hardened

### Drawing



### Order information

d <sub>1</sub>	d <sub>3</sub> +0.1	d <sub>2</sub>	Dimensions						For pin [mm]	WS [mm]	 [g]	Art. No.
			d <sub>4</sub> -0.05	l <sub>1</sub>	l <sub>2</sub>	l <sub>3</sub>	l <sub>4</sub>	l <sub>5</sub> +0.5				
[mm]												
<b>Steel</b>												
M12 x 1,5	4.2	24	12	10	16	11	5	1.5	4	4	17	<a href="#">22110.0464</a>
M12 x 1,5	5.2	24	12	10	16	11	5	1.5	5	4	17	<a href="#">22110.0465</a>
M12 x 1,5	6.2	24	12	10	16	11	5	1.5	6	4	16	<a href="#">22110.0466</a>
M16 x 1,5	8.2	32	16	12	20	13	7	1.5	8	6	36	<a href="#">22110.0468</a>
M16 x 1,5	10.2	32	16	12	20	13	7	1.5	10	6	34	<a href="#">22110.0470</a>
M16 x 1,5	12.2	32	16	12	20	13	7	1.5	12	6	33	<a href="#">22110.0472</a>
<b>Stainless steel</b>												
M12 x 1,5	4.2	24	12	10	16	11	5	1.5	4	4	17	<a href="#">22110.0474</a>
M12 x 1,5	5.2	24	12	10	16	11	5	1.5	5	4	17	<a href="#">22110.0475</a>
M12 x 1,5	6.2	24	12	10	16	11	5	1.5	6	4	16	<a href="#">22110.0476</a>
M16 x 1,5	8.2	32	16	12	20	13	7	1.5	8	6	36	<a href="#">22110.0478</a>
M16 x 1,5	10.2	32	16	12	20	13	7	1.5	10	6	34	<a href="#">22110.0480</a>
M16 x 1,5	12.2	32	16	12	20	13	7	1.5	12	6	33	<a href="#">22110.0482</a>

**Application example**



**Compliance**

For detailed compliance information please select the desired article number.