

Spring Plungers · with collar and ball, front slot

EH 22075.



Product Description

Spring plungers can be used for locating or for applying pressure, as a detent or for ejection. This spring plunger is characterised by the collar with front slot. This makes it suitable for applications that require a flat surface when screwed in.

Material

Body

- Free cutting steel, blackened
- Stainless steel 1.4305
- Thermoplastic POM, blue

Ball

- Stainless steel, hardened
- Thermoplastic POM, white

Spring

- Stainless steel

More information

Notes

Special types on request.
Spring plungers are specially tested for spring range and forces.

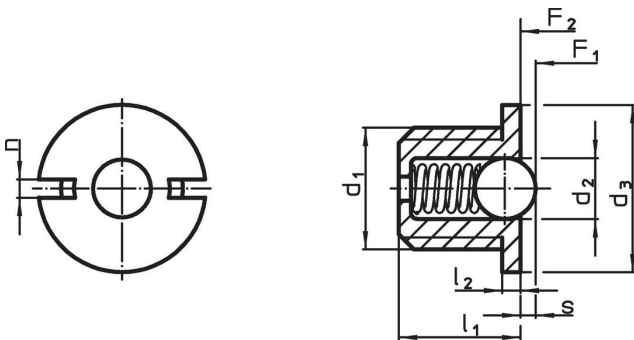
References

Thread lock on request, please refer to appendix - Technical Data -
Calculation of indexing resistance, please refer to appendix - Technical Data -

Further products

- Spring Plungers, smooth, with collar and ball
- Locators, with bore hole, for spring plungers
- Locators, smooth, for spring plungers

Drawing



Order information

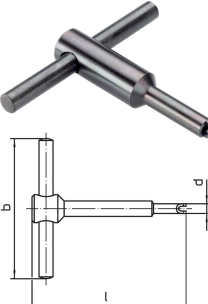
Dimensions						Stroke s +0.1 -0.1 [mm]	Spring load ¹⁾		Temperature		Weight [g]	Art. No.
d ₁	d ₂	d ₃ -0.1	l ₁	l ₂ -0.1	n		F ₁ ~	F ₂ ~	min.	max.		
[mm]							[N]		[°C]			
body from free cutting steel, ball from stainless steel, standard spring load												
M 4	2.00	5.5	4.0	0.6	0.6	0.6	1.7	3.9	–	250	0.3	22075.0004
M 5	3.00	7.0	5.0	0.8	1.2	0.8	2.9	4.5	–	250	0.5	22075.0005
M 6	3.50	8.0	6.0	1.0	1.3	1.0	3.6	8.7	–	250	0.8	22075.0006
M 8	5.00	10.0	7.0	1.5	1.5	1.6	5.4	10.2	–	250	1.9	22075.0008
M10	6.35	12.0	9.0	1.5	1.5	1.9	7.4	17.5	–	250	3.6	22075.0010
M12	8.00	14.0	11.5	1.5	2.7	2.4	10.8	22.3	–	250	6.0	22075.0012
body and ball from stainless steel, standard spring load												
M 4	2.00	5.5	4.0	0.6	0.6	0.6	1.7	3.9	–	250	0.3	22075.0404
M 5	3.00	7.0	5.0	0.8	1.2	0.8	2.9	4.5	–	250	0.5	22075.0405
M 6	3.50	8.0	6.0	1.0	1.3	1.0	3.6	8.7	–	250	0.9	22075.0406
M 8	5.00	10.0	7.0	1.5	1.5	1.6	5.4	10.2	–	250	1.9	22075.0408
M10	6.35	12.0	9.0	1.5	1.5	1.9	7.4	17.5	–	250	3.7	22075.0410
M12	8.00	14.0	11.5	1.5	2.7	2.4	10.8	22.3	–	250	6.1	22075.0412

¹⁾ statistical average value

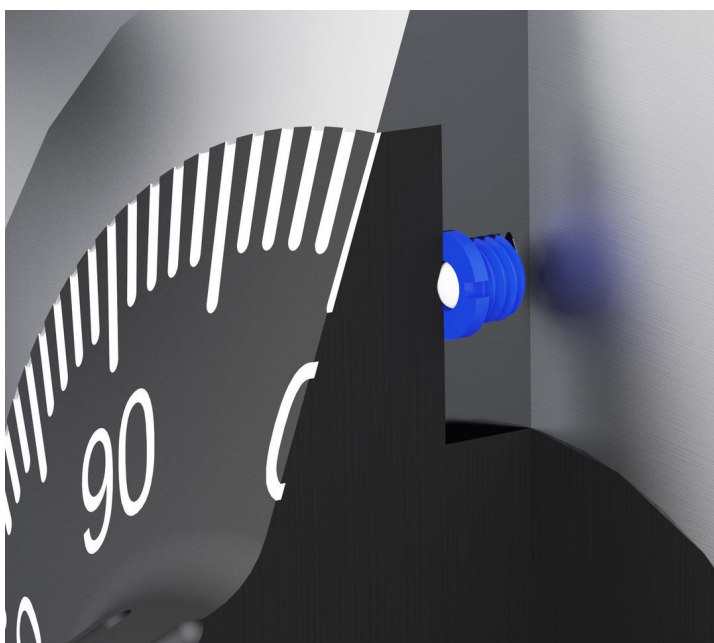
d ₁	d ₂	Dimensions				n	Stroke s +0.1 -0.1 [mm]	Spring load ¹⁾		min.	max.	[g]	Art. No.
		d ₃ -0.1	l ₁	l ₂ -0.1	F ₁ ~			F ₂ ~	[°C]				
body from thermoplastic, ball from stainless steel, standard spring load													
M 4	2.00	5.5	4.0	0.6	0.6	0.6	2.1	3.9	-30	50	0.1	22075.0604	
M 5	3.00	7.0	5.0	0.8	1.2	0.8	3.2	4.5	-30	50	0.2	22075.0605	
M 6	3.50	8.0	6.0	1.0	1.3	1.0	4.1	8.7	-30	50	0.4	22075.0606	
M 8	5.00	10.0	7.0	1.5	1.5	1.6	5.7	10.2	-30	50	0.9	22075.0608	
M10	6.50	12.0	9.0	1.5	1.5	1.9	9.2	17.2	-30	50	1.8	22075.0610	
M12	8.00	14.0	11.5	1.5	2.7	2.4	11.2	22.3	-30	50	3.2	22075.0612	
body and ball from thermoplastic, standard spring load													
M 4	2.00	5.5	4.0	0.6	0.6	0.6	2.1	3.9	-30	50	0.1	22075.0804	
M 5	3.00	7.0	5.0	0.8	1.2	0.8	3.2	4.5	-30	50	0.2	22075.0805	
M 6	3.50	8.0	6.0	1.0	1.3	1.0	4.1	8.7	-30	50	0.4	22075.0806	
M 8	5.00	10.0	7.0	1.5	1.5	1.6	5.7	10.2	-30	50	0.9	22075.0808	
M10	6.50	12.0	9.0	1.5	1.5	1.9	9.2	17.2	-30	50	1.8	22075.0810	
M12	8.00	14.0	11.5	1.5	2.7	2.4	11.2	22.3	-30	50	3.2	22075.0812	

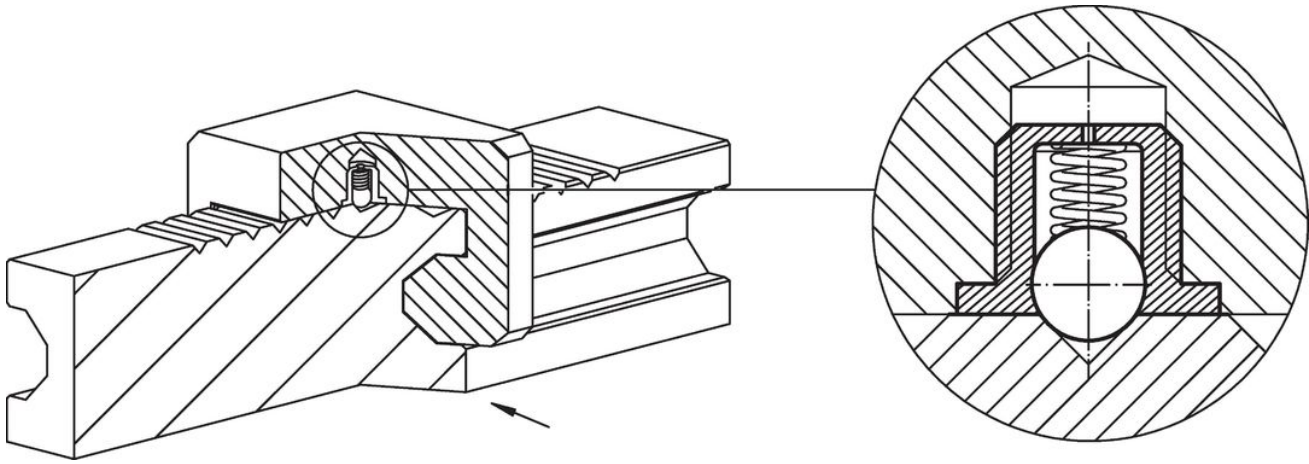
¹⁾ statistical average value

Accessories

	Dimensions				[g]	Art. No.
	d ₁	b	d	l		
assembly tool						
	M 4	50	5.2	55	20	22075.0904
	M 5	50	6.7	55	24	22075.0905
	M 6	50	7.7	60	30	22075.0906
	M 8	60	9.7	60	47	22075.0908
	M10	60	11.7	70	72	22075.0910
	M12	80	13.7	80	127	22075.0912

Application example





Compliance

For detailed compliance information please select the desired article number.