

## Supporting Plates · with 2 connecting rings

EH 1990.



### Product Description

#### Material

**Connecting rings**  
• Steel, case-hardened, ground

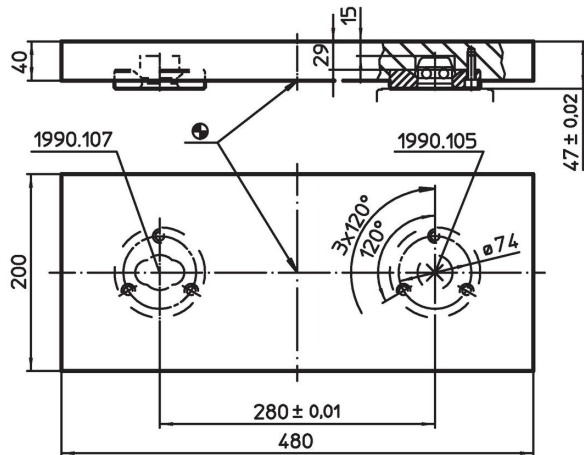
**Base plate**  
• Aluminium Al

#### More information


#### Notes

Special types on request.

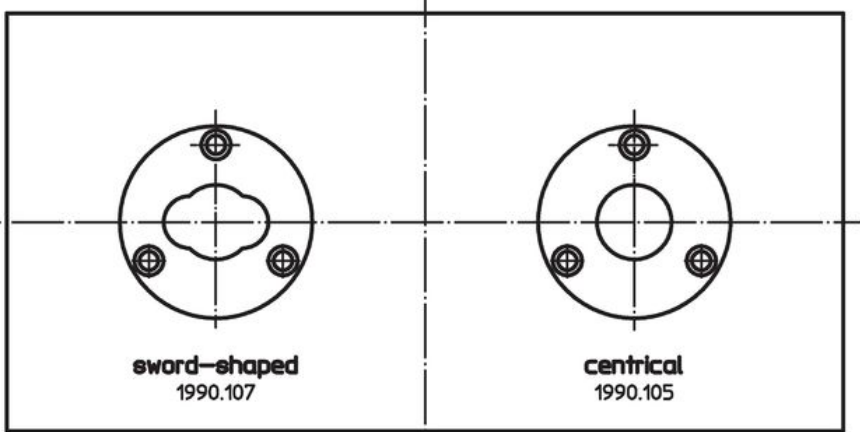
### Drawing



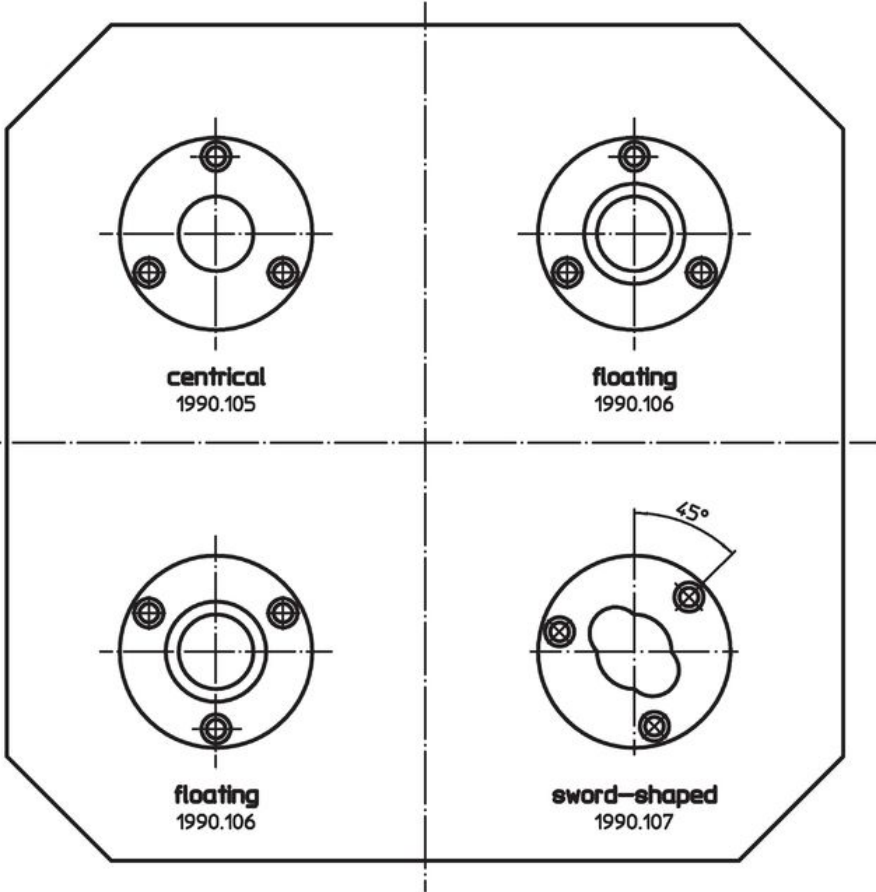
### Order information

	Art. No.
 [kg] 11	1990.190

Application example



Assembly position of connecting rings independent from distance



## Compliance

### RoHS compliant

Compliant according to Directive 2011/65/EU and Directive 2015/863.

### Does not contain SVHC substances

No SVHC substances with more than 0.1% w/w contained - SVHC list [REACH] as of 23.01.2024.

### Does not contain Proposition 65 substances

No Proposition 65 substances included.

<https://www.P65Warnings.ca.gov/>

### Free from Conflict Minerals

This product does not contain any substances designated as "conflict minerals" such as tantalum, tin, gold or tungsten from the Democratic Republic of Congo or adjacent countries.