

Base Plates • with 4 connecting elements

EH 1990.



Product Description

Material

Connecting element
• Refer to Art. No. 1990.100-102

Base plate
• Aluminium Al

More information

Notes

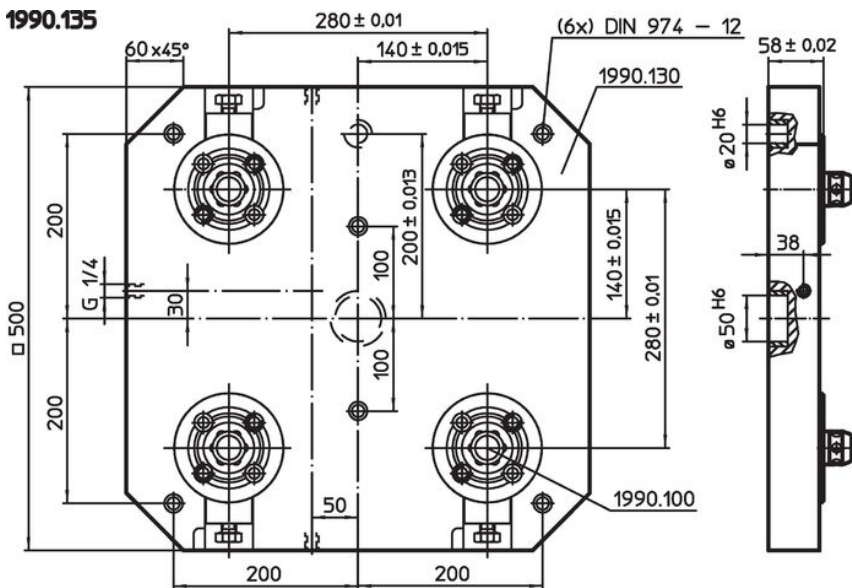
Special types on request.

Further products

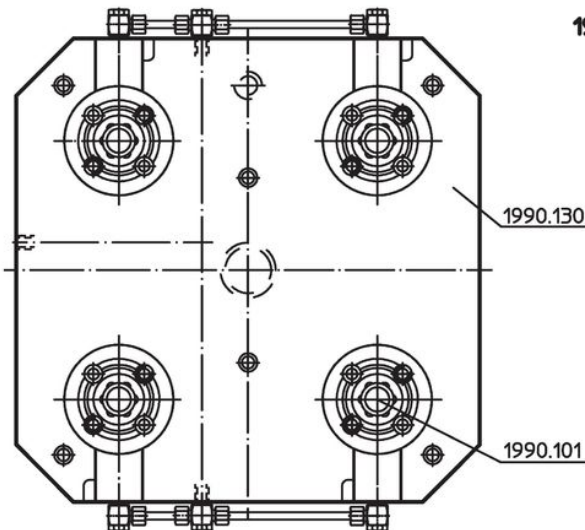
- Connecting Elements, modular, mechanically operated
- Connecting Elements, modular, hydraulically operated
- Connecting Elements, modular, pneumatically operated
- Supporting Plates, with 4 connecting rings

Drawing

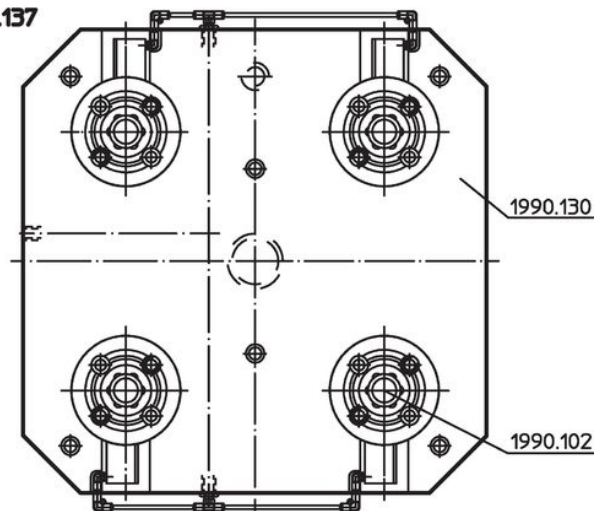
1990.135




1990.136



1990.137



Order information

	 [kg]	Art. No.
mechanical	44	1990.135
hydraulic	44	1990.136
pneumatical	42	1990.137

Compliance

RoHS compliant

Contains lead - compliant according to exceptions 6a / 6b / 6c.

Contains SVHC substances >0,1% w/w

Contains lead - SVHC list [REACH] as of 23.01.2024.

Contains Proposition 65 substances



Lead can cause cancer and reproductive harm from exposure
<https://www.P65Warnings.ca.gov/>

Free from Conflict Minerals

This product does not contain any substances designated as "conflict minerals" such as tantalum, tin, gold or tungsten from the Democratic Republic of Congo or adjacent countries.