

## Connecting Rings

EH 1990.

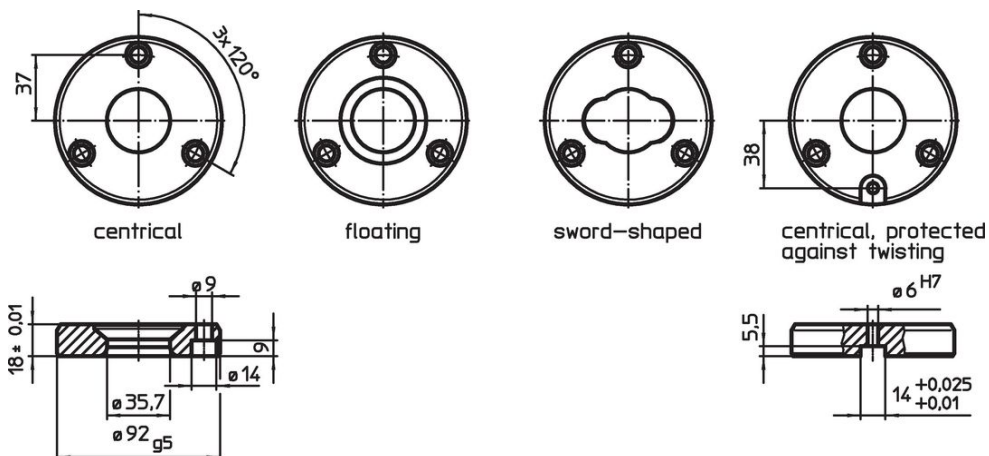


### Product Description

#### Material

- Steel, case-hardened, ground

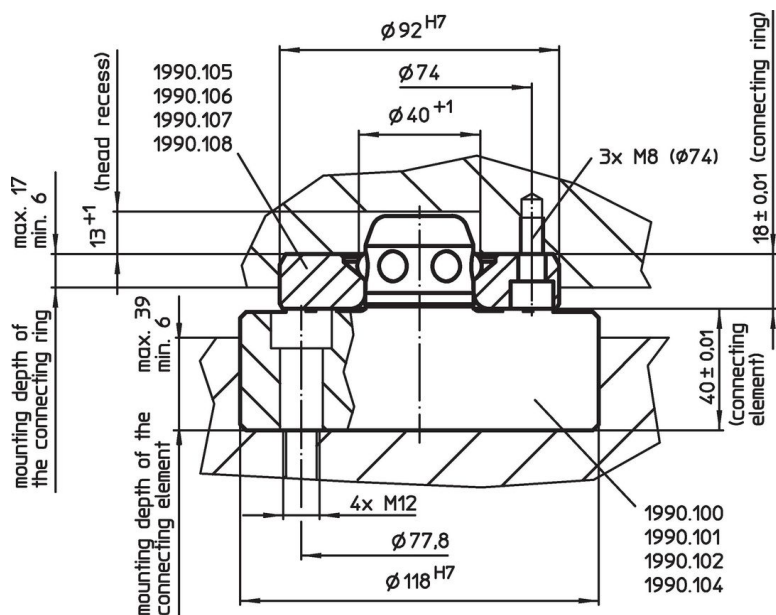
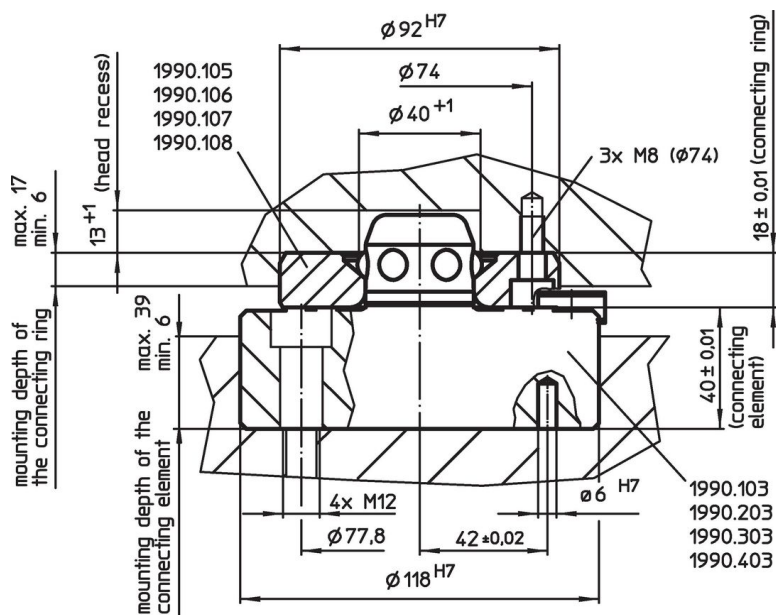
### Drawing

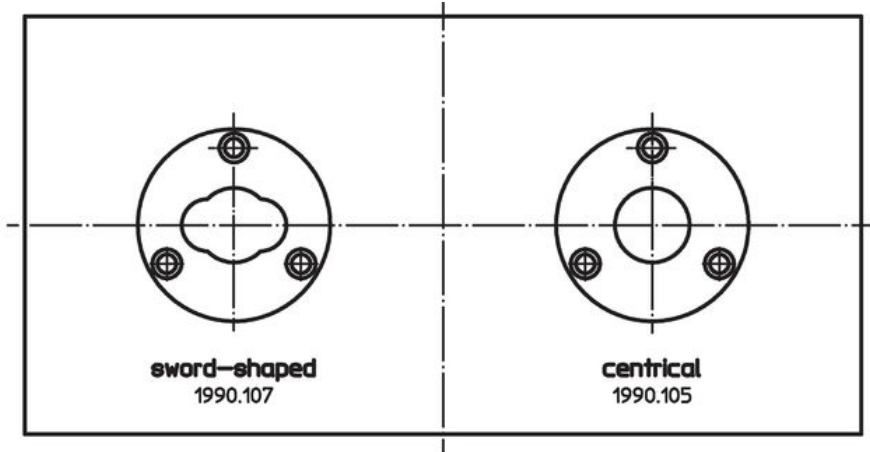


### Order information

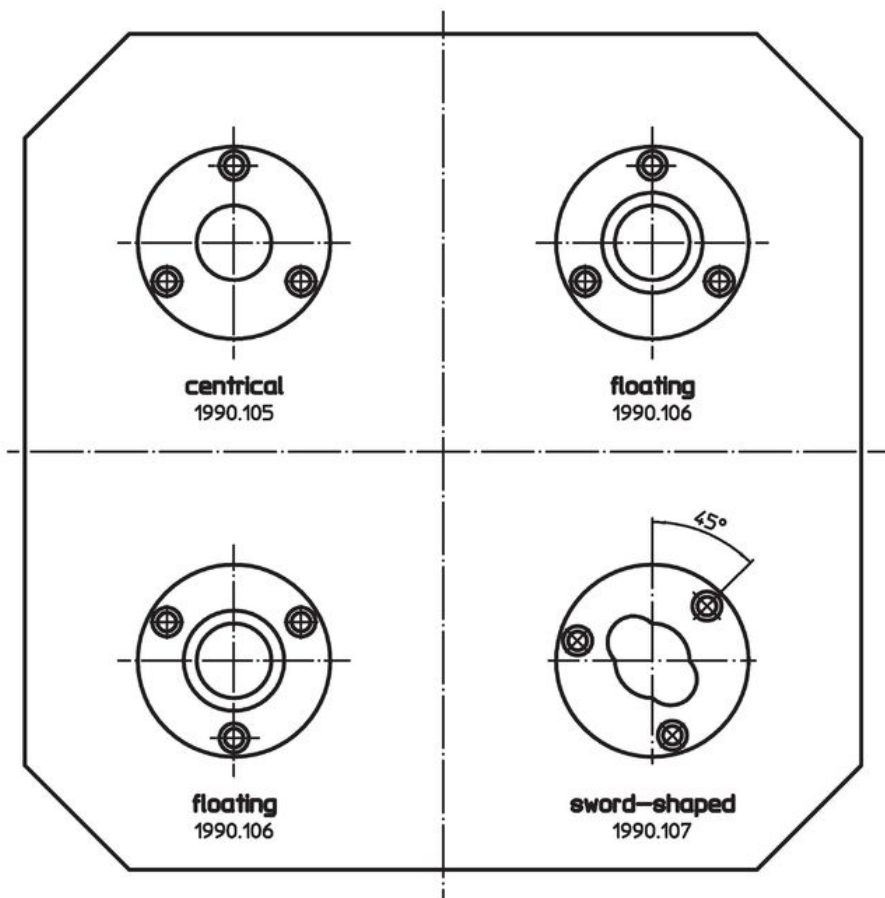
	Art. No.
[g]	
<b>central</b>	
698	1990.105
<b>floating</b>	
728	1990.106
<b>sword-shaped</b>	
845	1990.107
<b>central, protected against twisting</b>	
686	1990.108

Application example





Assembly position of connecting rings independent from distance



## Compliance

### RoHS compliant

Compliant according to Directive 2011/65/EU and Directive 2015/863.

### Does not contain SVHC substances

No SVHC substances with more than 0.1% w/w contained - SVHC list [REACH] as of 23.01.2024.

### Does not contain Proposition 65 substances

No Proposition 65 substances included.  
<https://www.P65Warnings.ca.gov/>

### Free from Conflict Minerals

This product does not contain any substances designated as "conflict minerals" such as tantalum, tin, gold or tungsten from the Democratic Republic of Congo or adjacent countries.