

Clamping Angles · semi-finished EH 1906.



Product Description

Material

- Grey cast iron GG

More information

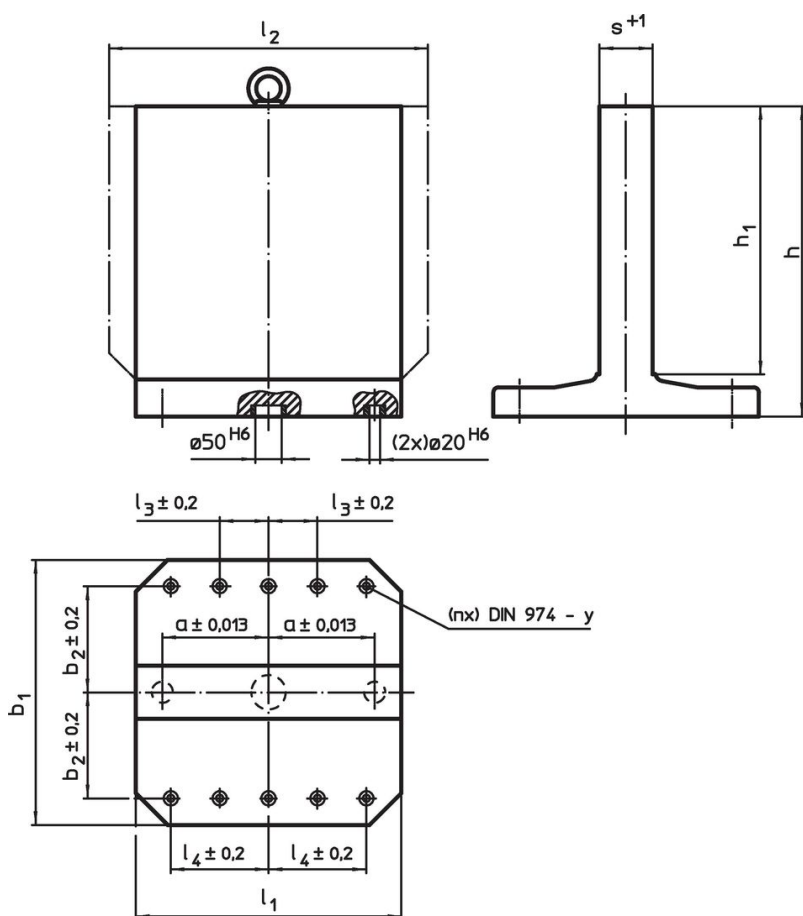
Notes

Special plates on request.

Further products

- Threaded Lifting Pins, self-locking

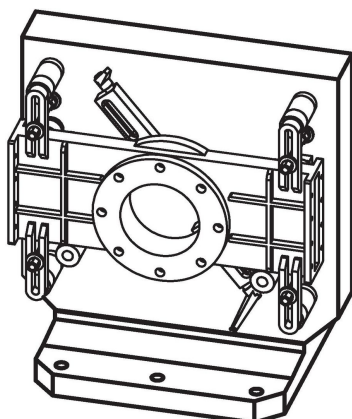
Drawing



Order information

$b_1 \times l_1$	l_2	h_1	h	Dimensions					y	For screws	Number of fastening holes n	[kg]	Art. No.
				a	b_2	l_3	l_4	s					
				± 0.013	± 0.2	± 0.2	± 0.2	$+1$	[mm]	[mm]			
Grey cast iron GG													
400 x 400	–	400	475	150	150	–	150	81	12	M12	4	150	1906.210
400 x 400	500	400	475	150	150	–	150	81	12	M12	4	173	1906.310
500 x 500	–	500	595	200	200	–	200	101	12	M12	6	284	1906.410
500 x 500	630	500	595	200	200	–	200	101	12	M12	6	334	1906.510
630 x 630	–	630	725	200	200	–	200	131	16	M16	6	455	1906.610
800 x 800	–	800	910	300	300	100	300	151	16	M16	8	805	1906.810

Application example



Compliance

RoHS compliant

Contains lead - compliant according to exceptions 6a / 6b / 6c.

Contains SVHC substances >0,1% w/w

Contains lead - SVHC list [REACH] as of 27.06.2024.

Contains Proposition 65 substances



Lead can cause cancer and reproductive harm from exposure
<https://www.P65Warnings.ca.gov/>

Free from Conflict Minerals

This product does not contain any substances designated as "conflict minerals" such as tantalum, tin, gold or tungsten from the Democratic Republic of Congo or adjacent countries.