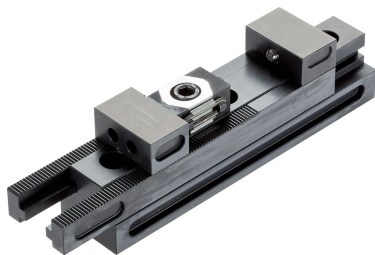


Combination Clamping Bars

EH 1586.



Product Description

The combination clamping bar offers 3 ways to clamp/support the workpiece:

- Floating mode:

Floating mode is used to clamp and support additional clamping points on components. The fixture adapts to the position of the workpiece.

- Centric mode:

The jaws of the clamping bar move in sync. The centre axis of the workpiece remains unchanged even if the outer diameters are modified.

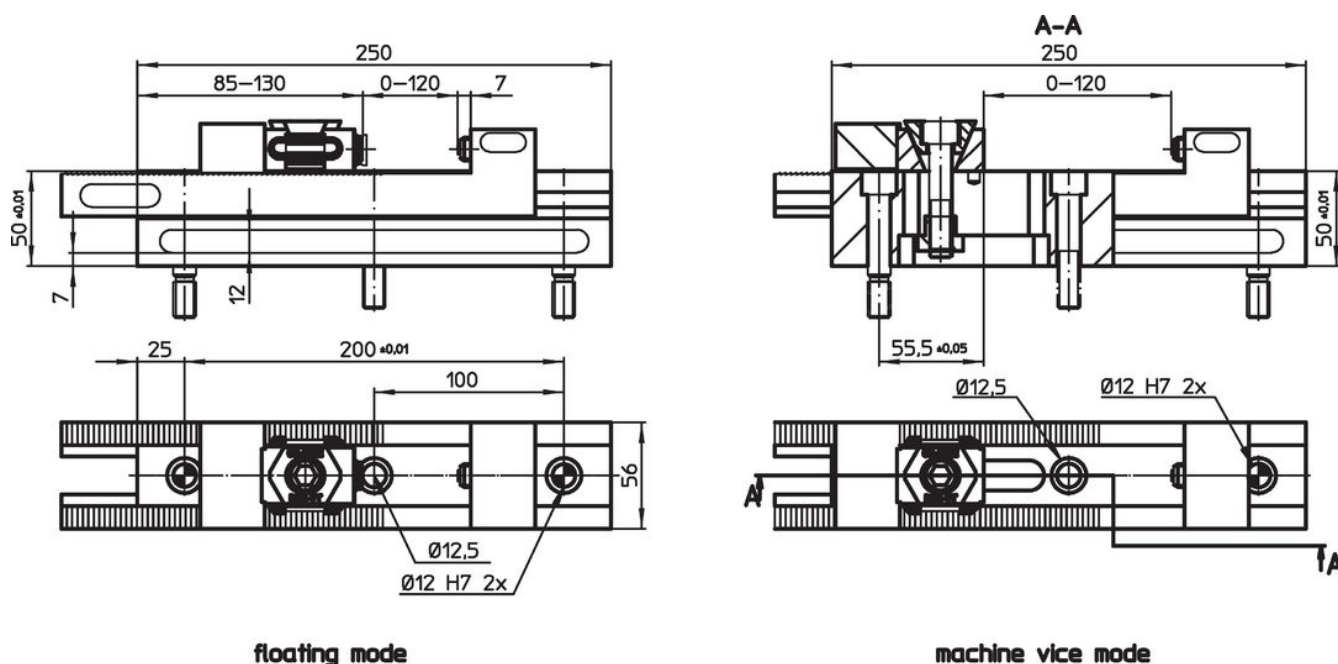
- Machine vice mode:

When this mode is selected, one of the jaws is locked in place on the clamping bar. The second jaw remains movable.

Material

- Tool steel, hardened

Drawing



floating mode

machine vice mode

Order information

[kg]	Art. No.
5	1586.400

Accessories

	Number locating screws M12 x 45	Number cap screws M12 x 45	[g]	Art. No.
fixing screws for clamping bars				
	2	1	203	1586.401

Compliance

For detailed compliance information please select the desired article number.