

Clamping Heads

EH 1514.700 - EH 1614.700

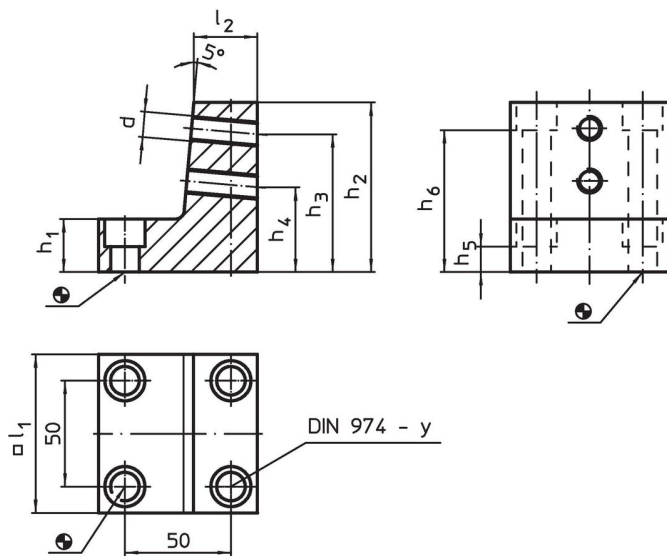


Product Description


Material

- Steel, blackened

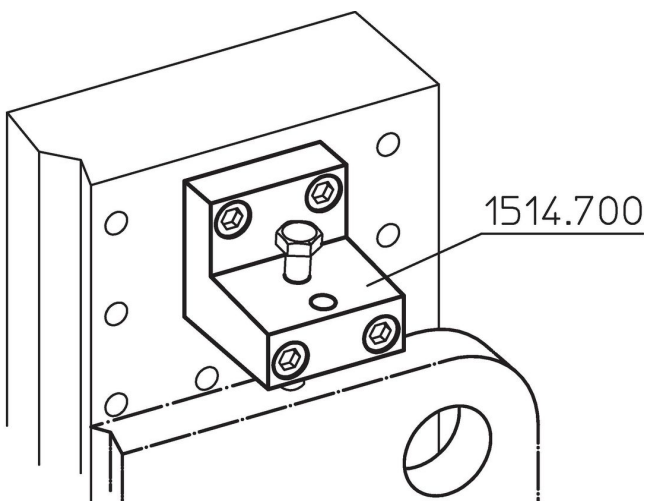
Drawing



Order information

System	Dimensions									y [mm]	For screws [mm]	 [g]	Art. No.
	l ₁	l ₂	h ₁	h ₂	h ₃	h ₄	h ₅	h ₆	d				
L12	74.8	30	25	80	65	40	12.0	67.0	M12	12	M12	1800	1514.700
L16	90.0	35	30	90	75	50	12.5	72.5	M16	16	M16	2800	1614.700

Application example



Compliance

RoHS compliant

Compliant according to Directive 2011/65/EU and Directive 2015/863.

Does not contain SVHC substances

No SVHC substances with more than 0.1% w/w contained - SVHC list [REACH] as of 27.06.2024.

Does not contain Proposition 65 substances

No Proposition 65 substances included.

<https://www.P65Warnings.ca.gov/>

Free from Conflict Minerals

This product does not contain any substances designated as "conflict minerals" such as tantalum, tin, gold or tungsten from the Democratic Republic of Congo or adjacent countries.