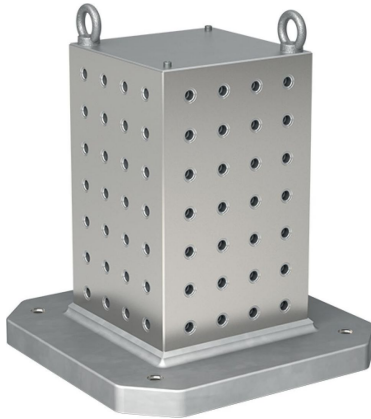


Clamping Cubes

EH 1508.200 - EH 1608.600



Product Description

Material

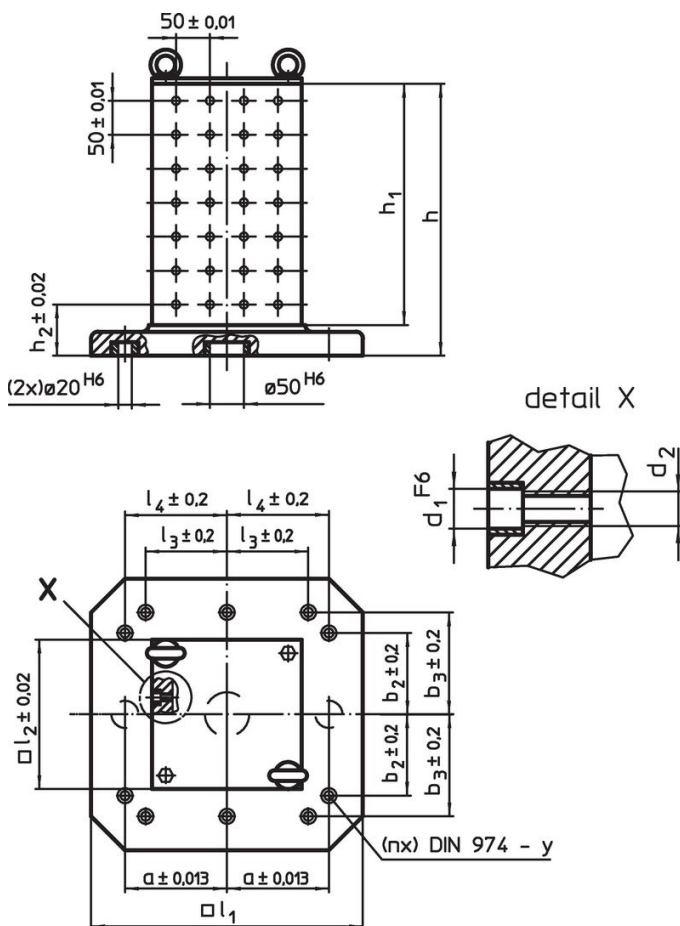
- Grey cast iron GG

More information


Notes

Customized design on request.

Drawing



Order information

System	Dimensions												y	For screws	Number of fastening holes n	Number of hole rows		Art. No.
	l ₁	l ₂	h ₁	h	h ₂	d ₁	d ₂	a	b ₂	b ₃	l ₃	l ₄						
L12	400	230	358	408	75	12	M12	150	150	-	-	150	12	M12	4	4 x 7	97	1508.200
L12	500	330	510	565	85	12	M12	200	200	-	-	200	12	M12	6	6 x 10	204	1508.400
L12	630	450	640	700	100	12	M12	200	200	300	200	300	16	M16	8	8 x 12	426	1508.600
L16	630	450	640	700	100	16	M16	200	200	300	200	300	16	M16	8	8 x 12	420	1608.600

Compliance

RoHS compliant

Contains lead - compliant according to exceptions 6a / 6b / 6c.

Contains SVHC substances >0,1% w/w

Contains lead - SVHC list [REACH] as of 27.06.2024.

Contains Proposition 65 substances



Lead can cause cancer and reproductive harm from exposure

<https://www.P65Warnings.ca.gov/>

Free from Conflict Minerals

This product does not contain any substances designated as "conflict minerals" such as tantalum, tin, gold or tungsten from the Democratic Republic of Congo or adjacent countries.