

Supporting Plates · including accessories

EH 1104.300 - EH 1104.500

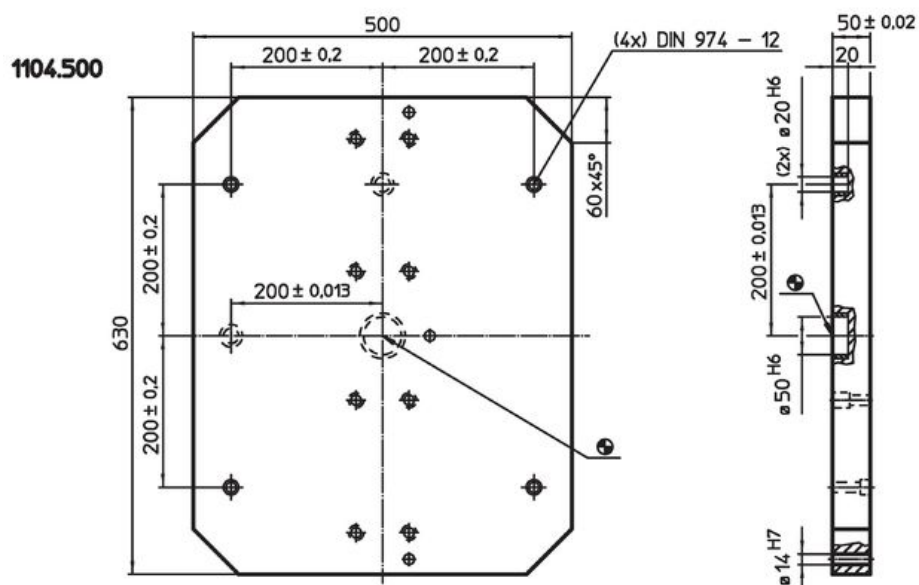
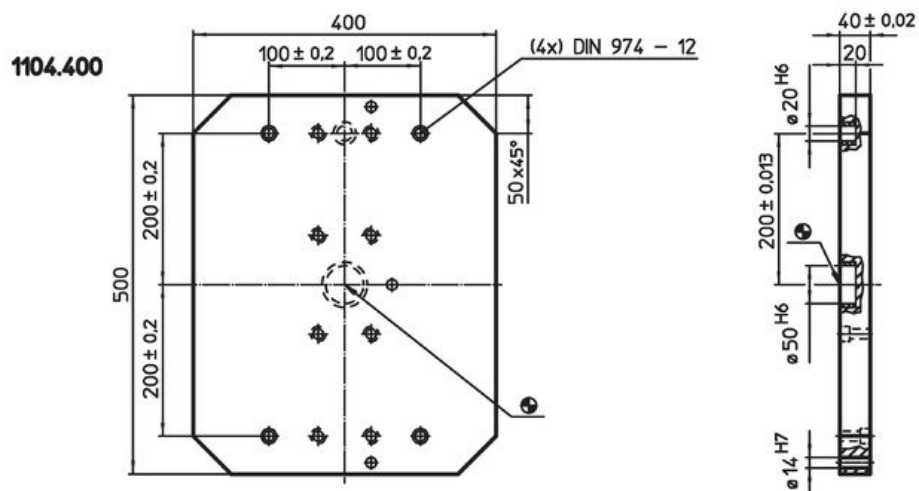
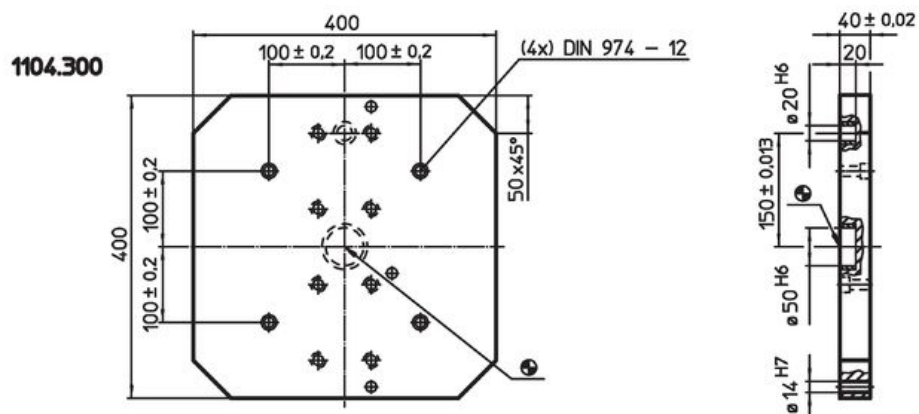


Product Description


Material

- Grey cast iron GG

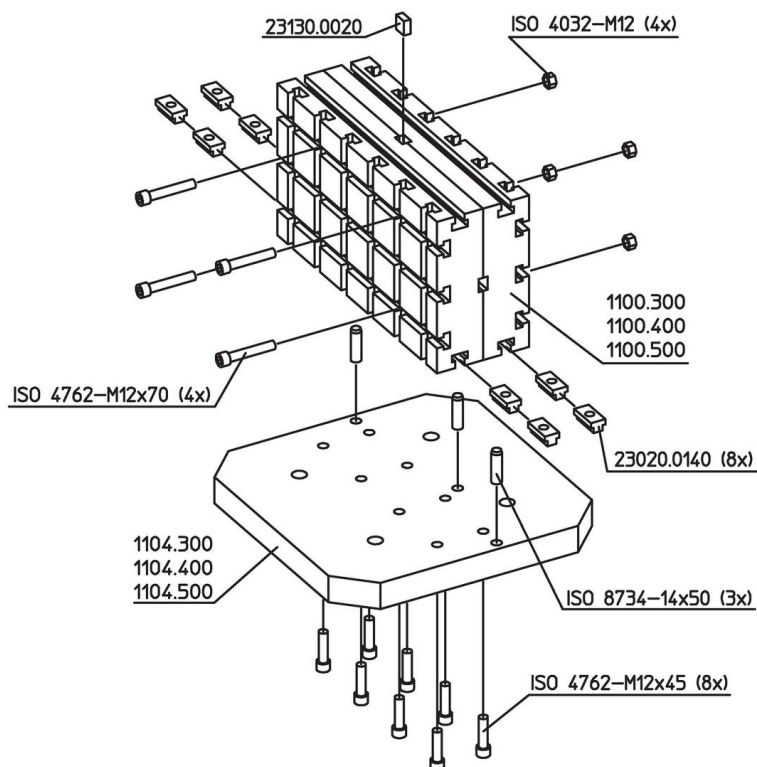
Drawing



Order information

System	 [kg]	Art. No.
V70	42	1104.300
V70	53	1104.400
V70	108	1104.500

Application example



Compliance

RoHS compliant

Contains lead - compliant according to exceptions 6a / 6b / 6c.

Contains SVHC substances >0,1% w/w

Contains lead - SVHC list [REACH] as of 23.01.2024.

Contains Proposition 65 substances



Lead can cause cancer and reproductive harm from exposure
<https://www.P65Warnings.ca.gov/>

Free from Conflict Minerals

This product does not contain any substances designated as "conflict minerals" such as tantalum, tin, gold or tungsten from the Democratic Republic of Congo or adjacent countries.