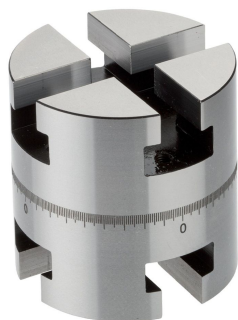


Adjustable Rotating Elements

EH 1048.600 - EH 1148.600

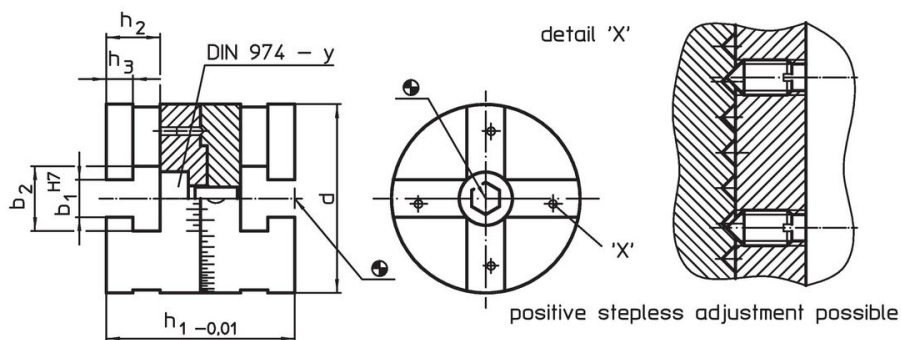


Product Description

Material

- Steel, case-hardened, ground

Drawing



Order information

System	Dimensions							[g]	Art. No.
	d	b ₁	b ₂	h ₁	h ₂	h ₃	y		
V40	40	10	17	40	12.5	6.5	6	286	1048.600
V70	70	14	24	70	20.0	10.0	12	1421	1148.600

Compliance

RoHS compliant

Compliant according to Directive 2011/65/EU and Directive 2015/863.

Does not contain SVHC substances

No SVHC substances with more than 0.1% w/w contained - SVHC list [REACH] as of 23.01.2024.

Does not contain Proposition 65 substances

No Proposition 65 substances included.

<https://www.P65Warnings.ca.gov/>

Free from Conflict Minerals

This product does not contain any substances designated as "conflict minerals" such as tantalum, tin, gold or tungsten from the Democratic Republic of Congo or adjacent countries.