

Thrust Angles

EH 1021.600 - EH 1021.700

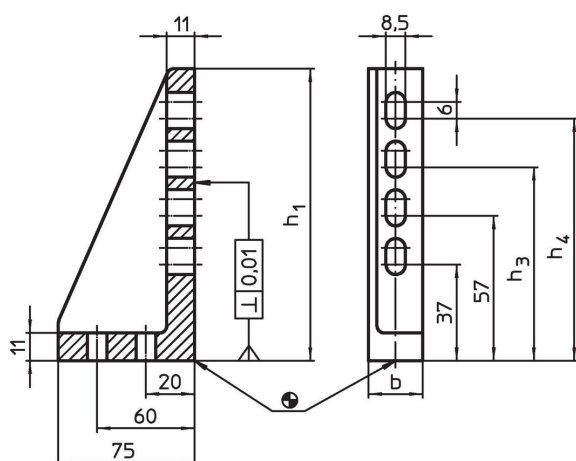


Product Description


Material

- Grey cast iron, phosphatized, ground

Drawing



Order information

System	b	Dimensions			Position of web	 [g]	Art. No.
		h ₁	h ₃	h ₄			
V40	39	75	–	–	left	473	1021.600
V40	39	115	77	97	left	593	1021.700

Compliance

RoHS compliant

Compliant according to Directive 2011/65/EU and Directive 2015/863.

Does not contain SVHC substances

No SVHC substances with more than 0.1% w/w contained - SVHC list [REACH] as of 27.06.2024.

Does not contain Proposition 65 substances

No Proposition 65 substances included.

<https://www.P65Warnings.ca.gov/>

Free from Conflict Minerals

This product does not contain any substances designated as "conflict minerals" such as tantalum, tin, gold or tungsten from the Democratic Republic of Congo or adjacent countries.