

## Base Plates

EH 1002.100



### Product Description

#### Material

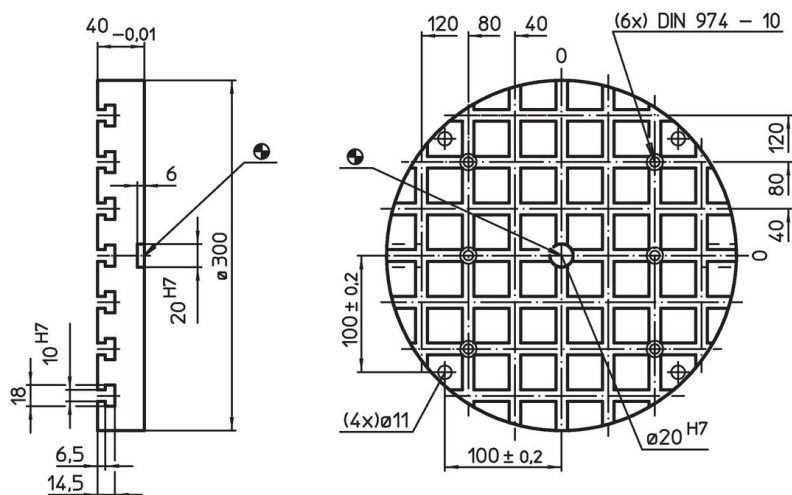
- Steel, hardened, ground

#### More information


#### Notes

Special types on request.

### Drawing



### Order information

System	Dimensions		Number of T-slots	 [kg]	Art. No.
	b <sub>1</sub>	d <sub>1</sub>			
V40	100	300	7 x 7	15	1002.100

## Application example



## Compliance

### RoHS compliant

Contains lead - compliant according to exceptions 6a / 6b / 6c.

### Contains SVHC substances >0,1% w/w

Contains lead - SVHC list [REACH] as of 27.06.2024.

### Contains Proposition 65 substances



Lead can cause cancer and reproductive harm from exposure  
<https://www.P65Warnings.ca.gov/>

### Free from Conflict Minerals

This product does not contain any substances designated as "conflict minerals" such as tantalum, tin, gold or tungsten from the Democratic Republic of Congo or adjacent countries.