

## Threaded Lifting Pins • self-locking, with rotatable shackle - INCH

2B353.1024



### Product Description

Heavy-duty lifting element for quick and easy use, with moveable, rotatable shackle and locking stud to provide protection against unintentional unlocking. For lifting loads, the threaded lifting pin is inserted into a threaded hole. In contrast to a ringbolt, time-consuming screwing in and out is therefore unnecessary. The rotatable shackle will always align with the tensile direction of pull without the pin rotating. This prevents the lifting device from being turned out of the thread and the component can be lifted safely.

All versions are corrosion-protected. The version made of stainless steel is also resistant to corrosion and weathering, so it is also suitable for external use. In addition, the high-strength, precipitation-hardened pin makes extreme loads possible.

### Material

#### Pin part

- Stainless steel 1.4542, precipitation-hardened

#### Press button

- Aluminium, orange, anodised

#### Threaded element

- Stainless steel 1.4542, precipitation-hardened

#### Shackle

- Stainless steel 1.4571

#### Spring

- Stainless Steel

### Assembly

Threaded lifting pins can be mounted into a thread that is true to gauge.

#### Mounting:

1. Press in the button and hold it down.
2. Insert the threaded lifting pin.
3. Release the button (The button must be back in its original position.).
4. Tighten the threaded lifting pin by hand, until it bears completely on the bearing surface.
5. It must be ensured that the threaded segments are engaged in the mounting thread.

#### Dismantling:

1. Unscrew the threaded lifting pin approx. a quarter of a turn anticlockwise.
2. Press in the button and hold it down.
3. Remove the threaded lifting pin.
4. Release the button.

### Operation

Each threaded lifting pin contains an instruction manual with an EC Declaration of Conformity.

### More information

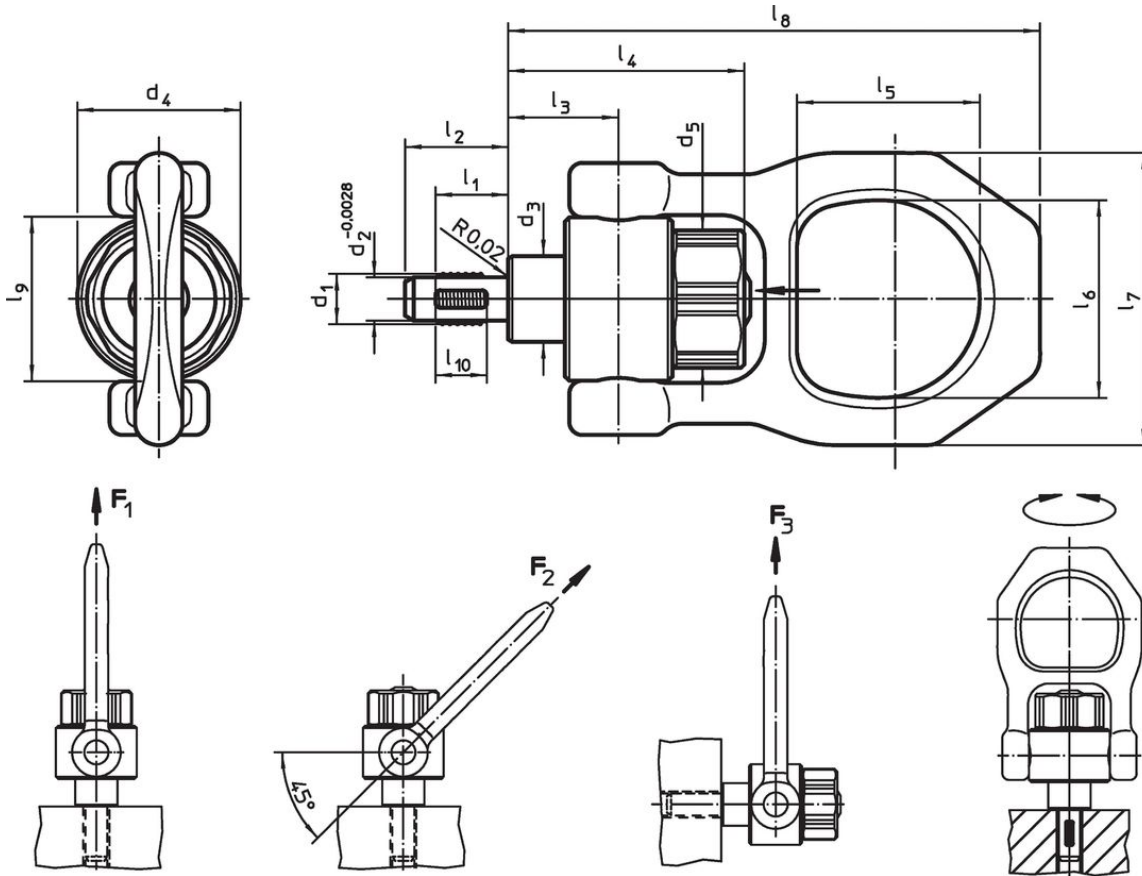
#### Notes

- This product is manufactured in INCH dimensions.

#### Further products

- Lifting Pins, self-locking
- Lifting Pins, self-locking, stainless steel
- Threaded Lifting Pins, self-locking
- Threaded Lifting Pins, self-locking, for centre holes according to DIN 332
- Threaded Lifting Pins, self-locking, with rotatable shackle
- Threaded Lifting Pins, self-locking - INCH

Drawing



Order information

Dimensions										Load capacity according to DIN EN 13155			Locating thread	Tightening torque max.	Art. No. <sup>1)</sup>							
d <sub>1</sub>	l <sub>1</sub>	d <sub>2</sub> +0.0028	d <sub>3</sub>	d <sub>4</sub>	d <sub>5</sub>	l <sub>2</sub>	l <sub>3</sub>	l <sub>4</sub>	l <sub>5</sub>	l <sub>6</sub>	l <sub>7</sub>	l <sub>8</sub>	l <sub>9</sub>	l <sub>10</sub>	F <sub>1</sub>	F <sub>2</sub>	F <sub>3</sub>		[°F]	[lbf ft]	[oz]	
[in]															[lbf]				[°F]	[lbf ft]	[oz]	
Stainless steel																						
1-8	1.063	0.863	1.378	2.323	1.969	1.417	1.654	3.118	2.189	2.756	4.016	6.811	2.323	0.866	4046	3147	2225	1-8	482	2.21	67.529	2B353.1024

<sup>1)</sup> from 302°F linear decrease of the load capacity by 23%

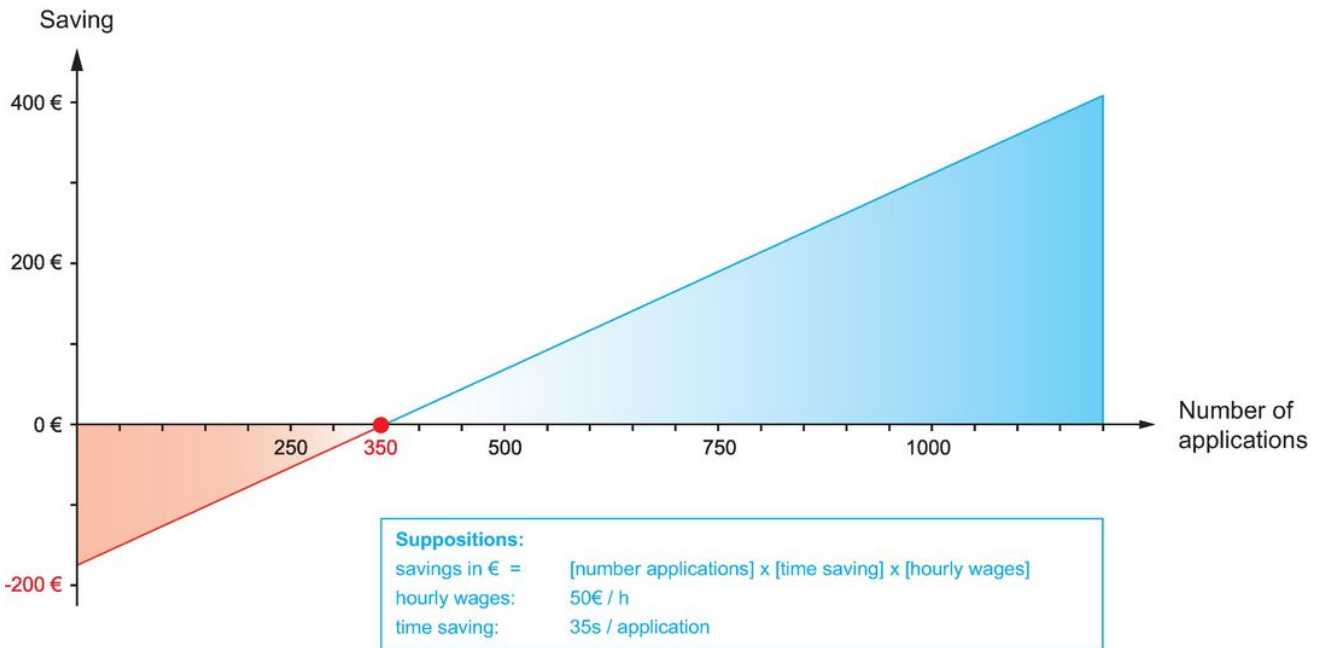
Application example











## Compliance

### RoHS compliant

Contains lead - compliant according to exceptions 6a / 6b / 6c.

### Contains SVHC substances >0,1% w/w

Contains lead - SVHC list [REACH] as of 23.01.2024.

### Contains Proposition 65 substances



Lead can cause cancer and reproductive harm from exposure

<https://www.P65Warnings.ca.gov/>

### Free from Conflict Minerals

This product does not contain any substances designated as "conflict minerals" such as tantalum, tin, gold or tungsten from the Democratic Republic of Congo or adjacent countries.