

Hinges • long version
25165.1045



Product Description

The different versions cover many applications that require a low load. These metal hinges are characterised by their simple design and the different versions:

- without bores
- with bores
- with bores for countersunk screws

The version without bores can be assembled by welding or by inserting a specific drilling pattern.

Material

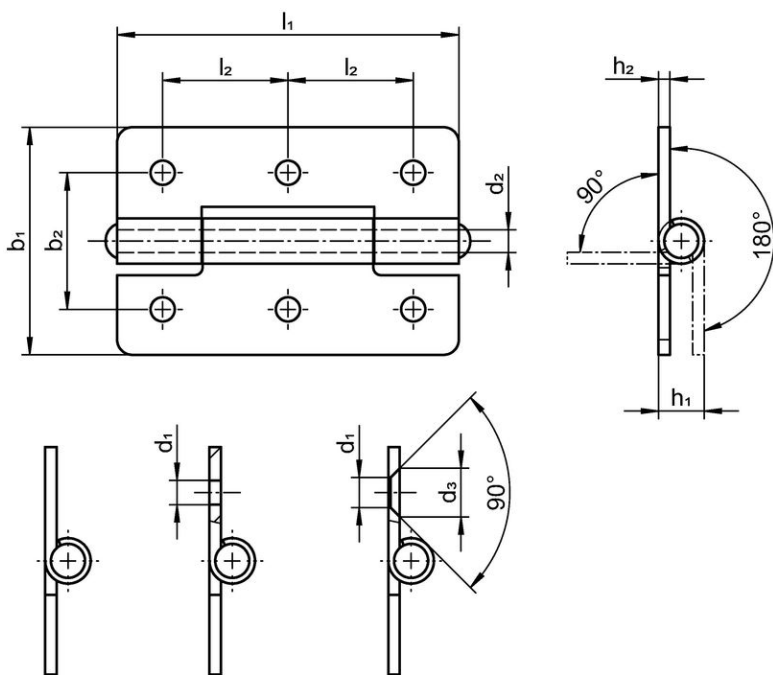
Body

- Steel, zinc-plated by galvanization, passivated

Axis

- Stainless steel 1.4301

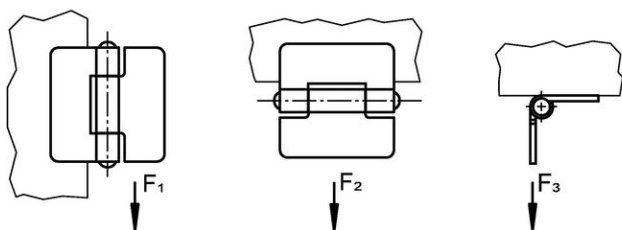
Drawing




picture 1

picture 2

picture 3



Order information

b ₁	l ₁	b ₂	Dimensions					Holding force				Art. No.
			d ₁	d ₂	h ₁ ~	h ₂	l ₂	F ₁ ~	F ₂ ~ [N]	F ₃ ~		
with bores – picture 2, Steel												
50	75	30	5.2	6	10	2	27.5	2500	2250	1300	90	25165.1045

Compliance

RoHS compliant

Compliant according to Directive 2011/65/EU and Directive 2015/863.

Does not contain SVHC substances

No SVHC substances with more than 0.1% w/w contained - SVHC list [REACH] as of 23.01.2024.

Does not contain Proposition 65 substances

No Proposition 65 substances included.

<https://www.P65Warnings.ca.gov/>

Free from Conflict Minerals

This product does not contain any substances designated as "conflict minerals" such as tantalum, tin, gold or tungsten from the Democratic Republic of Congo or adjacent countries.